

Dell™ OptiPlex™ 745

# Quick Reference Guide

**Models DCTR, DCNE, DCSM, and DCCY**

## Notes, Notices, and Cautions



**NOTE:** A NOTE indicates important information that helps you make better use of your computer.



**NOTICE:** A NOTICE indicates potential damage to hardware or loss of data and tells you how to avoid the problem.



**CAUTION:** A CAUTION indicates a potential for property damage, personal injury, or death.

If you purchased a Dell™ n Series computer, any references in this document to Microsoft® Windows® operating systems are not applicable.

---

**Information in this document is subject to change without notice.**

© 2006 Dell Inc. All rights reserved.

Reproduction in any manner whatsoever without the written permission of Dell Inc. is strictly forbidden.

Trademarks used in this text: *Dell*, the *DELL* logo, *Inspiron*, *Dell Precision*, *Dimension*, *OptiPlex*, *Latitude*, *PowerEdge*, *PowerVault*, *PowerApp*, and *Dell OpenManage* are trademarks of Dell Inc.; *Intel*, *Pentium*, and *Celeron* are registered trademarks of Intel Corporation; *Microsoft* and *Windows* are registered trademarks of Microsoft Corporation.

Other trademarks and trade names may be used in this document to refer to either the entities claiming the marks and names or their products. Dell Inc. disclaims any proprietary interest in trademarks and trade names other than its own.

Models DCTR, DCNE, DCSM, and DCCY

August 2006

P/N FH895


Rev. A00

# Contents

<b>Finding Information</b> . . . . .	<b>5</b>
<b>System Views</b> . . . . .	<b>8</b>
Mini Tower Computer — Front View . . . . .	8
Mini Tower Computer — Back View . . . . .	10
Mini Tower Computer — Back-Panel Connectors . . . . .	11
Desktop Computer — Front View. . . . .	13
Desktop Computer — Back View. . . . .	14
Desktop Computer — Back-Panel Connectors . . . . .	15
Small Form Factor Computer — Front View . . . . .	17
Small Form Factor Computer — Back View . . . . .	18
Small Form Factor Computer — Back-Panel Connectors . . . . .	19
Ultra-Small Form Factor Computer — Front View . . . . .	21
Ultra-Small Form Factor Computer — Side View. . . . .	22
Ultra-Small Form Factor Computer — Back View . . . . .	23
Ultra-Small Form Factor Computer — Back-Panel Connectors . . . . .	23
<b>Removing the Computer Cover.</b> . . . . .	<b>24</b>
Before You Begin . . . . .	25
Mini Tower Computer . . . . .	26
Desktop Computer . . . . .	27
Small Form Factor Computer . . . . .	28
Ultra-Small Form Factor Computer . . . . .	30
<b>Inside Your Computer</b> . . . . .	<b>32</b>
Mini Tower Computer . . . . .	32
Desktop Computer . . . . .	35
Small Form Factor Computer . . . . .	38
Ultra-Small Form Factor Computer . . . . .	41
<b>Setting Up Your Computer</b> . . . . .	<b>43</b>
Set Up Your Keyboard and Mouse . . . . .	45
Set Up Your Monitor . . . . .	45
Power Connections. . . . .	46
<b>Solving Problems</b> . . . . .	<b>46</b>
Dell Diagnostics. . . . .	46
System Lights . . . . .	49

Diagnostic Lights . . . . .	50
Beep Codes . . . . .	52
Resolving Software and Hardware Incompatibilities . . . . .	53
Using Microsoft Windows XP System Restore . . . . .	54
Reinstalling Microsoft Windows XP . . . . .	55
<b>Using the Drivers and Utilities CD . . . . .</b>	<b>58</b>
Drivers for Your Computer . . . . .	58
Index . . . . .	59

## Finding Information

 **NOTE:** Some features or media may be optional and may not ship with your computer. Some features or media may not be available in certain countries.

 **NOTE:** Additional information may ship with your computer.

What Are You Looking For?	Find It Here
<ul style="list-style-type: none"> <li>• A diagnostic program for my computer</li> <li>• Drivers for my computer</li> <li>• My computer documentation</li> <li>• My device documentation</li> <li>• Desktop System Software (DSS)</li> </ul>	<p><b>Drivers and Utilities CD (ResourceCD)</b></p> <p><b>NOTE:</b> The <i>Drivers and Utilities</i> CD may be optional and may not ship with your computer.</p> <p>Documentation and drivers are already installed on your computer. You can use the CD to reinstall drivers (see "Using the Drivers and Utilities CD" on page 58), run the Dell Diagnostics (see "Dell Diagnostics" on page 46), or access your documentation.</p> <div data-bbox="739 838 1003 1107" data-label="Image"> </div> <p>Readme files may be included on your CD to provide last-minute updates about technical changes to your computer or advanced technical reference material for technicians or experienced users.</p> <p><b>NOTE:</b> Drivers and documentation updates can be found at <a href="http://support.dell.com">support.dell.com</a>.</p>
<ul style="list-style-type: none"> <li>• How to remove and replace parts</li> <li>• Specifications</li> <li>• How to configure system settings</li> <li>• How to troubleshoot and solve problems</li> </ul>	<p><b>Dell™ OptiPlex™ User's Guide</b></p> <p><i>Microsoft Windows XP Help and Support Center</i></p> <ol style="list-style-type: none"> <li>1 Click <b>Start</b> → <b>Help and Support</b> → <b>Dell User and System Guides</b> → <b>System Guides</b>.</li> <li>2 Click the <i>User's Guide</i> for your computer.</li> </ol> <p>The <i>User's Guide</i> is also available on the optional <i>Drivers and Utilities</i> CD.</p>

---

## What Are You Looking For?

- Warranty information
- Terms and Conditions (U.S. only)
- Safety instructions
- Regulatory information
- Ergonomics information
- End User License Agreement

## Find It Here

### Dell™ Product Information Guide



- 
- How to reinstall my operating system

### Operating System CD

**NOTE:** The *Operating System* CD may be optional and may not ship with your computer.

The operating system is already installed on your computer. To reinstall your operating system, use the *Operating System* CD (see "Reinstalling Microsoft Windows XP" on page 55).



After you reinstall your operating system, use the optional *Drivers and Utilities* CD (*ResourceCD*) to reinstall drivers for the devices that came with your computer. For more information, see

"Drivers and Utilities CD (*ResourceCD*)" on page 5.

Your operating system product key label is located on your computer (see "Service Tag and Microsoft® Windows® Product Key" on page 7).

**NOTE:** The color of your *Operating System* CD varies according to the operating system you ordered.

- 
- How to use Windows XP
  - How to work with programs and files
  - How to personalize my desktop

### Windows Help and Support Center

- 1 Click **Start** → **Help and Support**.
- 2 Type a word or phrase that describes your problem and click the arrow icon.
- 3 Click the topic that describes your problem.
- 4 Follow the instructions on the screen.

---

## What Are You Looking For?

- Service Tag and Express Service Code
- Microsoft Windows Product Key Label
- Solutions — Troubleshooting hints and tips, articles from technicians, online courses, and frequently asked questions
- Community — Online discussion with other Dell customers
- Upgrades — Upgrade information for components, such as the memory, hard drive, and operating system
- Customer Care — Contact information, service call and order status, and warranty and repair information
- Service and support — Service call status, support history, service contract, and online discussions with support
- Reference — Computer documentation, details on my computer configuration, product specifications, and white papers
- Downloads — Certified drivers, patches, and software updates
- Desktop System Software (DSS)— If you reinstall the operating system on your computer, you should also reinstall the DSS utility. DSS automatically detects your computer and operating system and installs the updates appropriate for your configuration, providing critical updates for your operating system and support for Dell™ 3.5-inch USB floppy drives, Intel® processors, optical drives, and USB devices. DSS is necessary for correct operation of your Dell computer.

## Find It Here

### Service Tag and Microsoft® Windows® Product Key

These labels are located on your computer.

- Use the Service Tag to identify your computer when you use [support.dell.com](http://support.dell.com) or contact support.



- Enter the Express Service Code to direct your call when contacting support.

### Dell Support Website — [support.dell.com](http://support.dell.com)

**NOTE:** Select your region or business segment to view the appropriate support site.

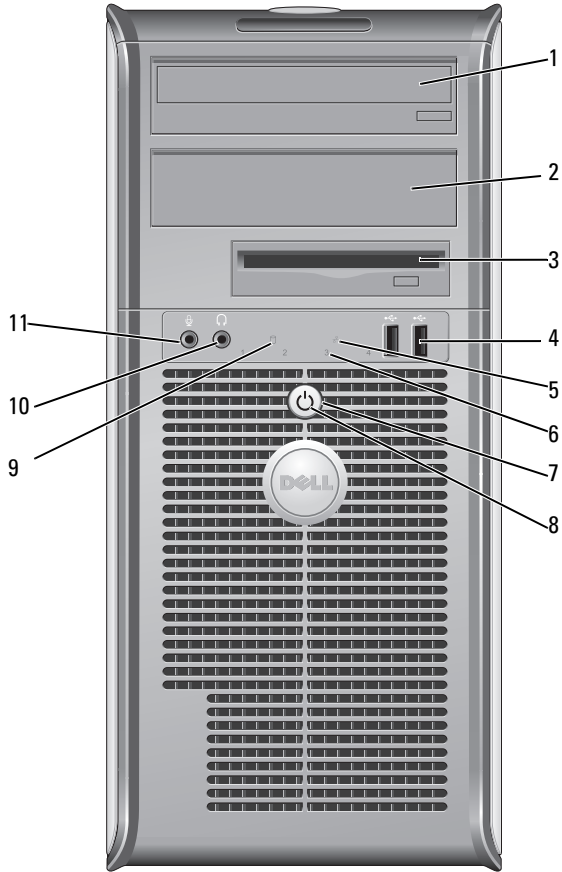
To download Desktop System Software:

- 1** Go to [support.dell.com](http://support.dell.com), select your region or business segment, then enter your Service Tag.
- 2** Select **Drivers & Downloads**, then click **Go**.
- 3** Click your operating system, and then search for the keyword *Desktop System Software*.



**NOTE:** The [support.dell.com](http://support.dell.com) user interface may vary depending on your selections.

# System Views

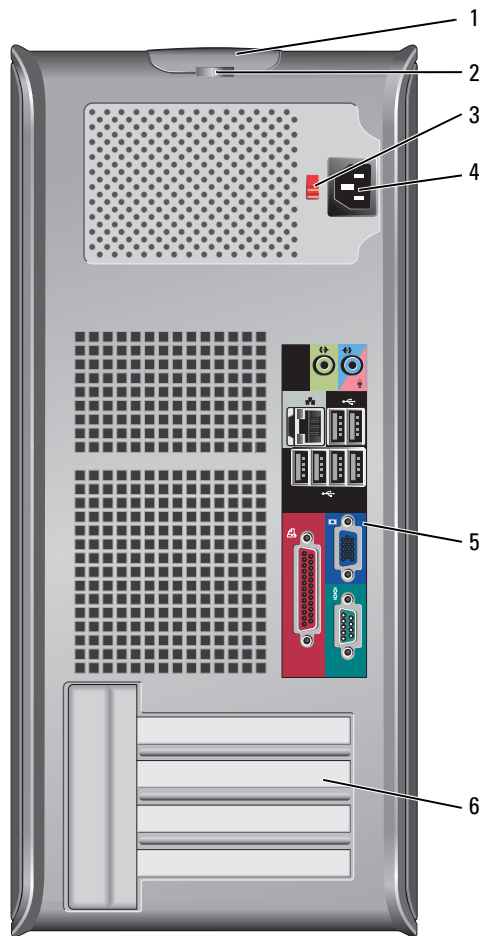
## Mini Tower Computer — Front View





- |    |                           |  |
|----|---------------------------|--|
| 1  | 5.25-inch drive bay       | Can contain an optical drive. Insert a CD or DVD (if supported) into this drive.   |
| 2  | 5.25-inch drive bay       | Can contain an optical drive. Insert a CD or DVD (if supported) into this drive.   |
| 3  | 3.5-inch drive bay        | Can contain an optional floppy drive or optional media card reader.  |
| 4  | USB 2.0 connectors (2)    | Use the front USB connectors for devices that you connect occasionally, such as joysticks or cameras, or for bootable USB devices (see your online <i>User's Guide</i> for more information on booting to a USB device).<br><br>It is recommended that you use the back USB connectors for devices that typically remain connected, such as printers and keyboards.  |
| 5  | LAN indicator light       | This light indicates that a LAN (local area network) connection is established.  |
| 6  | diagnostic lights         | Use the lights to help you troubleshoot a computer problem based on the diagnostic code. For more information, see "Diagnostic Lights" on page 50.   |
| 7  | power button              | Press this button to turn on the computer.<br><br> <b>NOTICE:</b> To avoid losing data, do not turn off the computer by pressing the power button. Instead, perform an operating system shutdown. See "Before You Begin" on page 25 for more information.<br><br> <b>NOTICE:</b> If your operating system has ACPI enabled, when you press the power button the computer will perform an operating system shutdown.  |
| 8  | power light               | The power light illuminates and blinks or remains solid to indicate different operating modes: <ul style="list-style-type: none"> <li>• No light — The computer is turned off.</li> <li>• Steady green — The computer is in a normal operating state.</li> <li>• Blinking green — The computer is in a power-saving mode.</li> <li>• Blinking or solid amber — See your online <i>User's Guide</i>.</li> </ul> <p>To exit from a power-saving mode, press the power button or use the keyboard or the mouse if it is configured as a wake device in the Windows Device Manager. For more information about sleep modes and exiting from a power-saving mode, see your online <i>User's Guide</i>.</p> <p>See "System Lights" on page 49 for a description of light codes that can help you troubleshoot problems with your computer.</p> |
| 9  | hard-drive activity light | This light flickers when the hard drive is being accessed.   |
| 10 | headphone connector       | Use the headphone connector to attach headphones and most kinds of speakers.   |
| 11 | microphone connector      | Use the microphone connector to attach a microphone.   |

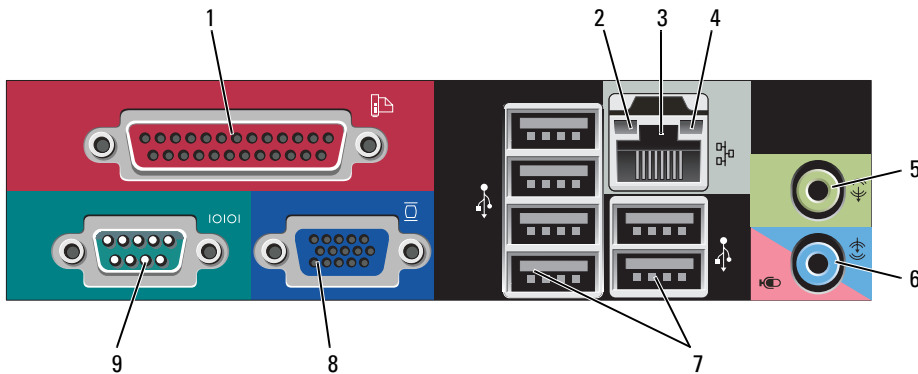
## Mini Tower Computer — Back View



- |   |                     |   |
|---|---------------------|---|
| 1 | cover-release latch | This latch allows you to open the computer cover. |
| 2 | padlock ring        | Insert a padlock to lock the computer cover.      |

- 3 voltage selection switch Your computer is equipped with a manual voltage-selection switch. To help avoid damaging a computer with a manual voltage-selection switch, set the switch for the voltage that most closely matches the AC power available in your location.
- ➡ NOTICE:** The voltage selection switch must be set to the 115-V position even though the AC power available in Japan is 100 V.
- Also, ensure that your monitor and attached devices are electrically rated to operate with the AC power available in your location.
- 4 power connector Insert the power cable.
- 5 back-panel connectors Plug serial, USB, and other devices into the appropriate connectors (see "Mini Tower Computer — Back-Panel Connectors" on page 11).
- 6 card slots Access connectors for any installed PCI and PCI Express cards.

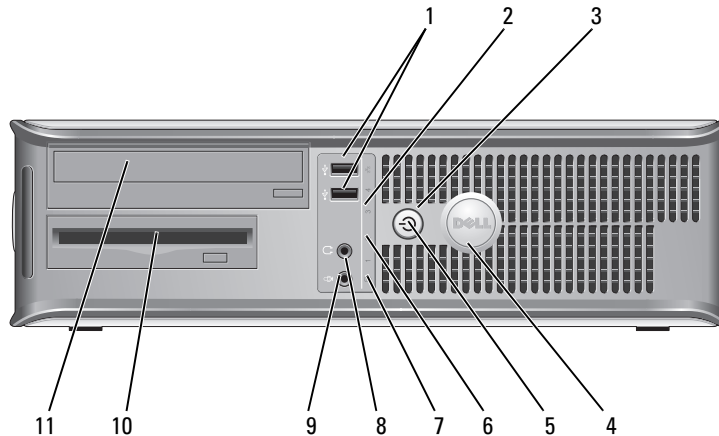
## Mini Tower Computer — Back-Panel Connectors



- 1 parallel connector Connect a parallel device, such as a printer, to the parallel connector. If you have a USB printer, plug it into a USB connector.
- NOTE:** The integrated parallel connector is automatically disabled if the computer detects an installed card containing a parallel connector configured to the same address. For more information, see your online User's Guide.
- 2 link integrity light
- Green — A good connection exists between a 10-Mbps network and the computer.
  - Orange — A good connection exists between a 100-Mbps network and the computer.
  - Yellow — A good connection exists between a 1-Gbps (or 1000-Mbps) network and the computer.
  - Off — The computer is not detecting a physical connection to the network.

- |   |                              |   |
|---|------------------------------|---|
| 3 | network adapter connector    | <p>To attach your computer to a network or broadband device, connect one end of a network cable to either a network jack or your network or broadband device. Connect the other end of the network cable to the network adapter connector on the back panel of your computer. A click indicates that the network cable has been securely attached.</p> <p><b>NOTE: Do not plug a telephone cable into the network connector.</b></p> <p>On computers with a network connector card, use the connector on the card.</p> <p>It is recommended that you use Category 5 wiring and connectors for your network. If you must use Category 3 wiring, force the network speed to 10 Mbps to ensure reliable operation.</p> |
| 4 | network activity light       | Flashes a yellow light when the computer is transmitting or receiving network data. A high volume of network traffic may make this light appear to be in a steady "on" state.   |
| 5 | line-out connector           | Use the green line-out connector to attach most speakers with integrated amplifiers.  |
| 6 | line-in/microphone connector | Use the blue and pink line-in/microphone connector to attach a record/playback device such as a cassette player, CD player, or VCR.; or a personal computer microphone for voice or musical input into a sound or telephony program.  |
| 7 | USB 2.0 connectors (6)       | Use the back USB connectors for devices that typically remain connected, such as printers and keyboards.  |
| 8 | video connector              | <p>Plug the cable from your VGA-compatible monitor into the blue connector.</p> <p><b>NOTE: If you purchased an optional graphics card, this connector will be covered by a cap. Connect your monitor to the connector on the graphics card. Do not remove the cap.</b></p> <p><b>NOTE: If you are using a graphics card that supports dual monitors, use the y-cable that came with your computer.</b></p>   |
| 9 | serial connector             | <p>Connect a serial device, such as a handheld device, to the serial port. The default designations are COM1 for serial connector 1 and COM2 for serial connector 2.</p> <p>For more information, see your online <i>User's Guide</i>.</p>  |

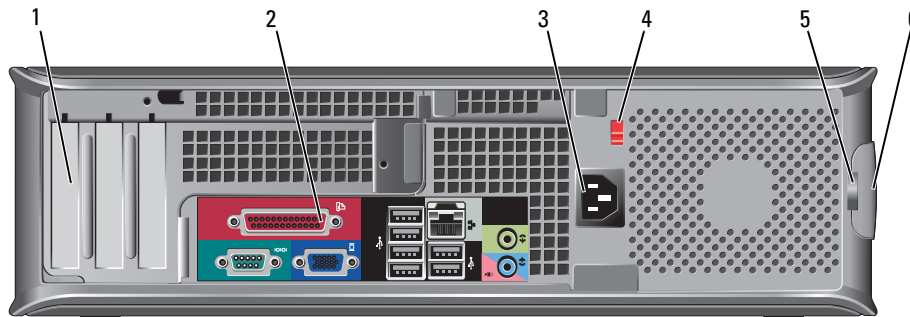
## Desktop Computer — Front View



- 1 USB 2.0 connectors (2) Use the front USB connectors for devices that you connect occasionally, such as joysticks or cameras, or for bootable USB devices (see your online *User's Guide* for more information about booting to a USB device).  
It is recommended that you use the back USB connectors for devices that typically remain connected, such as printers and keyboards.
- 2 LAN indicator light This light indicates that a LAN (local area network) connection is established.
- 3 power button Press this button to turn on the computer.  
**➡ NOTICE:** To avoid losing data, do not turn off the computer by pressing the power button. Instead, perform an operating system shutdown. See "Before You Begin" on page 25 for more information.  
**➡ NOTICE:** If your operating system has ACPI enabled, when you press the power button the computer will perform an operating system shutdown.
- 4 Dell badge This badge can be rotated to match the orientation of your computer. To rotate, place fingers around the outside of the badge, press firmly, and turn the badge. You can also rotate the badge using the slot provided near the bottom of the badge.

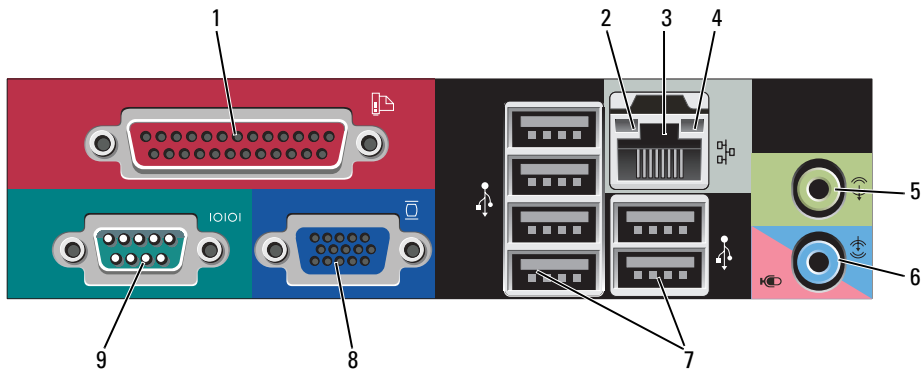
- |    |                           |  |
|----|---------------------------|--|
| 5  | power light               | <p>The power light illuminates and blinks or remains solid to indicate different operating states:</p> <ul style="list-style-type: none"> <li>• No light — The computer is turned off.</li> <li>• Steady green — The computer is in a normal operating state.</li> <li>• Blinking green — The computer is in a power-saving mode.</li> <li>• Blinking or solid amber — See your online <i>User's Guide</i>.</li> </ul> <p>To exit from a power-saving mode, press the power button or use the keyboard or the mouse if it is configured as a wake device in the Windows Device Manager. For more information about sleep modes and exiting from a power-saving mode, see your online <i>User's Guide</i>.</p> <p>See "System Lights" on page 49 for a description of light codes that can help you troubleshoot problems with your computer.</p> |
| 6  | diagnostic lights         | Use the lights to help you troubleshoot a computer problem based on the diagnostic code. For more information, see "Diagnostic Lights" on page 50.   |
| 7  | hard-drive activity light | This light flickers when the hard drive is being accessed.   |
| 8  | headphone connector       | Use the headphone connector to attach headphones and most kinds of speakers.   |
| 9  | microphone connector      | Use the microphone connector to attach a microphone.   |
| 10 | 3.5-inch drive bay        | Can contain an optional floppy drive or optional Media Card Reader.  |
| 11 | 5.25-inch drive bay       | Can contain an optical drive. Insert a CD or DVD (if supported) into this drive.   |

## Desktop Computer — Back View



- |   |                          |  |
|---|--------------------------|--|
| 1 | card slots               | Access connectors for any installed PCI and PCI Express cards.   |
| 2 | back-panel connectors    | Plug serial, USB, and other devices into the appropriate connectors (see "Desktop Computer — Back-Panel Connectors" on page 15).   |
| 3 | power connector          | Insert the power cable.  |
| 4 | voltage selection switch | Your computer is equipped with a manual voltage selection switch.<br>To help avoid damaging a computer with a manual voltage selection switch, set the switch for the voltage that most closely matches the AC power available in your location. |
|   |                          | <b>NOTICE:</b> The voltage selection switch must be set to the 115-V position even though the AC power available in Japan is 100 V.  |
|   |                          | Also, ensure that your monitor and attached devices are electrically rated to operate with the AC power available in your location.  |
| 5 | padlock ring             | Insert a padlock to lock the computer cover.   |
| 6 | cover-release latch      | Allows you to open the computer cover.   |

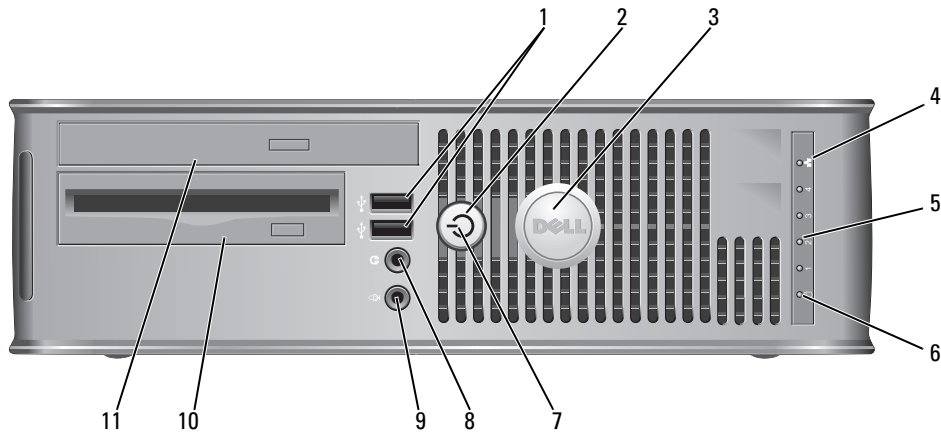
## Desktop Computer — Back-Panel Connectors



- |   |                              |   |
|---|------------------------------|---|
| 1 | parallel connector           | <p>Connect a parallel device, such as a printer, to the parallel connector. If you have a USB printer, plug it into a USB connector.</p> <p><b>NOTE:</b> The integrated parallel connector is automatically disabled if the computer detects an installed card containing a parallel connector configured to the same address. For more information, see your online <i>User's Guide</i>.</p>   |
| 2 | link integrity light         | <ul style="list-style-type: none"> <li>• Green — A good connection exists between a 10-Mbps network and the computer.</li> <li>• Orange — A good connection exists between a 100-Mbps network and the computer.</li> <li>• Yellow — A good connection exists between a 1-Gbps (or 1000-Mbps) network and the computer.</li> <li>• Off — The computer is not detecting a physical connection to the network.</li> </ul>  |
| 3 | network adapter connector    | <p>To attach your computer to a network or broadband device, connect one end of a network cable to either a network jack or your network or broadband device. Connect the other end of the network cable to the network adapter connector on the back panel of your computer. A click indicates that the network cable has been securely attached.</p> <p><b>NOTE:</b> Do not plug a telephone cable into the network connector.</p> <p>On computers with a network connector card, use the connector on the card.</p> <p>It is recommended that you use Category 5 wiring and connectors for your network. If you must use Category 3 wiring, force the network speed to 10 Mbps to ensure reliable operation.</p> |
| 4 | network activity light       | Flashes a yellow light when the computer is transmitting or receiving network data. A high volume of network traffic may make this light appear to be in a steady "on" state.   |
| 5 | line-out connector           | Use the green line-out connector to attach most speakers with integrated amplifiers.  |
| 6 | line-in/microphone connector | Use the blue and pink line-in/microphone connector to attach a record/playback device such as a cassette player, CD player, or VCR.; or a personal computer microphone for voice or musical input into a sound or telephony program.  |
| 7 | USB 2.0 connectors (6)       | Use the back USB connectors for devices that typically remain connected, such as printers and keyboards.  |
| 8 | video connector              | <p>Plug the cable from your VGA-compatible monitor into the blue connector.</p> <p><b>NOTE:</b> If you purchased an optional graphics card, this connector will be covered by a cap. Connect your monitor to the connector on the graphics card. Do not remove the cap.</p> <p><b>NOTE:</b> If you are using a graphics card that supports dual monitors, use the y-cable that came with your computer.</p>   |
| 9 | serial connector             | <p>Connect a serial device, such as a handheld device, to the serial port. The default designations are COM1 for serial connector 1 and COM2 for serial connector 2.</p> <p>For more information, see your online <i>User's Guide</i>.</p>  |



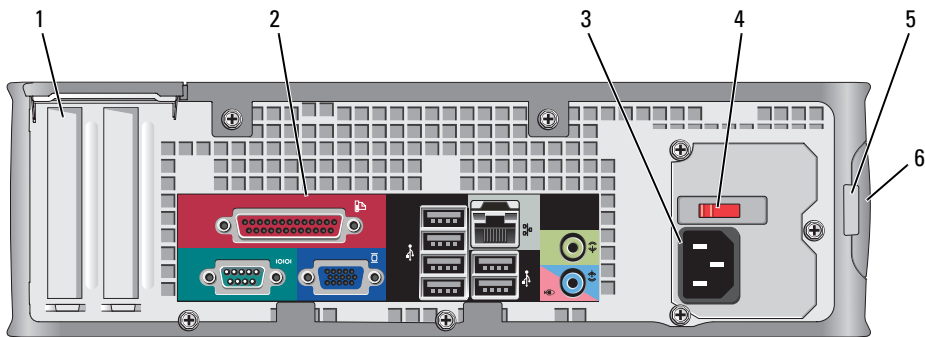
## Small Form Factor Computer — Front View



- |   |                           |   |
|---|---------------------------|---|
| 1 | USB 2.0 connectors (2)    | Use the front USB connectors for devices that you connect occasionally, such as joysticks or cameras, or for bootable USB devices (see your online <i>User's Guide</i> for more information about booting to a USB device).<br><br>It is recommended that you use the back USB connectors for devices that typically remain connected, such as printers and keyboards.  |
| 2 | power button              | Press to turn on the computer.<br><br><div style="margin-top: 10px;"> <p><b>➔ NOTICE:</b> To avoid losing data, do not turn off the computer by pressing the power button. Instead, perform an operating system shutdown. See "Before You Begin" on page 25 for more information.</p> <p><b>➔ NOTICE:</b> If your operating system has ACPI enabled, when you press the power button the computer will perform an operating system shutdown.</p> </div> |
| 3 | Dell badge                | Can be rotated to match the orientation of your computer. To rotate, place fingers around the outside of the badge, press firmly, and turn the badge. You can also rotate the badge using the slot provided near the bottom of the badge.   |
| 4 | LAN indicator light       | Indicates that a LAN (local area network) connection is established.  |
| 5 | diagnostic lights         | Use the lights to help you troubleshoot a computer problem based on the diagnostic code. For more information, see "Diagnostic Lights" on page 50.  |
| 6 | hard drive activity light | This light flickers when the hard drive is being accessed.  |

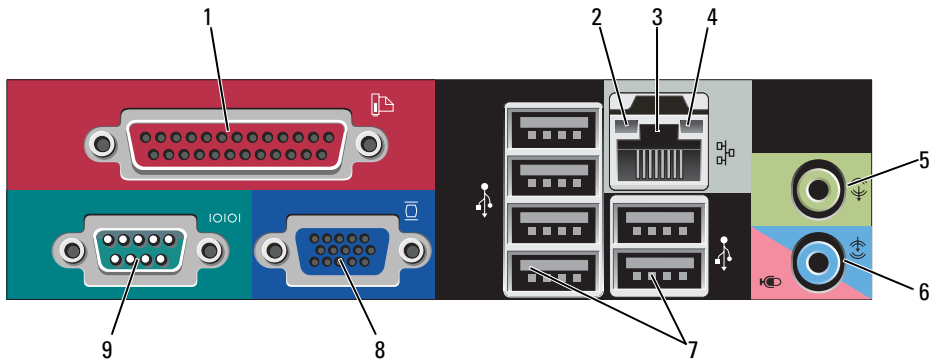
- |    |                      |  |
|----|----------------------|--|
| 7  | power light          | <p>The power light illuminates and blinks or remains solid to indicate different operating states:</p> <ul style="list-style-type: none"> <li>• No light — The computer is turned off.</li> <li>• Steady green — The computer is in a normal operating state.</li> <li>• Blinking green — The computer is in a power-saving mode.</li> <li>• Blinking or solid amber — See your online <i>User's Guide</i>.</li> </ul> <p>To exit from a power-saving mode, press the power button or use the keyboard or the mouse if it is configured as a wake device in the Windows Device Manager. For more information about sleep modes and exiting from a power-saving mode, see your online <i>User's Guide</i>.</p> <p>See "System Lights" on page 49 for a description of light codes that can help you troubleshoot problems with your computer.</p> |
| 8  | headphone connector  | Use the headphone connector to attach headphones and most kinds of speakers.   |
| 9  | microphone connector | Use the microphone connector to attach a microphone.   |
| 10 | 3.5-inch drive bay   | Can contain an optional floppy drive or optional media card reader.  |
| 11 | 5.25-inch drive bay  | Can contain an optical drive. Insert a CD or DVD (if supported) into this drive.   |

### Small Form Factor Computer — Back View



- |   |                          |  |
|---|--------------------------|--|
| 1 | card slots               | Access connectors for any installed PCI and PCI Express cards.   |
| 2 | back-panel connectors    | Plug serial, USB, and other devices into the appropriate connectors (see "Small Form Factor Computer — Back-Panel Connectors" on page 19).   |
| 3 | power connector          | Insert the power cable.  |
| 4 | voltage selection switch | Your computer is equipped with a manual voltage-selection switch.<br>To help avoid damaging a computer with a manual voltage selection switch, set the switch for the voltage that most closely matches the AC power available in your location. |
|   |                          | <b>NOTICE:</b> The voltage selection switch must be set to the 115-V position even though the AC power available in Japan is 100 V.  |
|   |                          | Also, ensure that your monitor and attached devices are electrically rated to operate with the AC power available in your location.  |
| 5 | padlock ring             | Insert a padlock to lock the computer cover.   |
| 6 | cover release latch      | Allows you to open the computer cover.   |

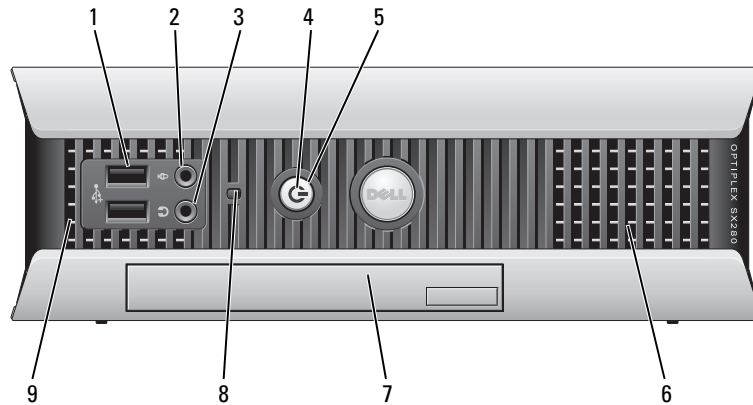
## Small Form Factor Computer — Back-Panel Connectors



- |   |                              |   |
|---|------------------------------|---|
| 1 | parallel connector           | <p>Connect a parallel device, such as a printer, to the parallel connector. If you have a USB printer, plug it into a USB connector.</p> <p><b>NOTE:</b> The integrated parallel connector is automatically disabled if the computer detects an installed card containing a parallel connector configured to the same address. For more information, see your online <i>User's Guide</i>.</p>   |
| 2 | link integrity light         | <ul style="list-style-type: none"> <li>• Green — A good connection exists between a 10-Mbps network and the computer.</li> <li>• Orange — A good connection exists between a 100-Mbps network and the computer.</li> <li>• Yellow — A good connection exists between a 1-Gbps (or 1000-Mbps) network and the computer.</li> <li>• Off — The computer is not detecting a physical connection to the network.</li> </ul>  |
| 3 | network adapter connector    | <p>To attach your computer to a network or broadband device, connect one end of a network cable to either a network jack or your network or broadband device. Connect the other end of the network cable to the network adapter connector on the back panel of your computer. A click indicates that the network cable has been securely attached.</p> <p><b>NOTE:</b> Do not plug a telephone cable into the network connector.</p> <p>On computers with a network connector card, use the connector on the card.</p> <p>It is recommended that you use Category 5 wiring and connectors for your network. If you must use Category 3 wiring, force the network speed to 10 Mbps to ensure reliable operation.</p> |
| 4 | network activity light       | <p>Flashes a yellow light when the computer is transmitting or receiving network data. A high volume of network traffic may make this light appear to be in a steady "on" state.</p>  |
| 5 | line-out connector           | <p>Use the green line-out connector (available on computers with integrated sound) to attach most speakers with integrated amplifiers.</p>  |
| 6 | line-in/microphone connector | <p>Use the blue and pink line-in/microphone connector (available on computers with integrated sound) to attach a record/playback device such as a cassette player, CD player, or VCR; or a personal computer microphone for voice or musical input into a sound or telephony program.</p>   |
| 7 | USB 2.0 connectors (6)       | <p>Use the back USB connectors for devices that typically remain connected, such as printers and keyboards.</p>   |

- 8 video connector Plug the cable from your VGA-compatible monitor into the blue connector.  
**NOTE:** If you purchased an optional graphics card, this connector will be covered by a cap. Connect your monitor to the connector on the graphics card. Do not remove the cap.  
**NOTE:** If you are using a graphics card that supports dual monitors, use the y-cable that came with your computer.
  
- 9 serial connector Connect a serial device, such as a handheld device, to the serial port. The default designations are COM1 for serial connector 1 and COM2 for serial connector 2.  
For more information, see your online *User's Guide*.

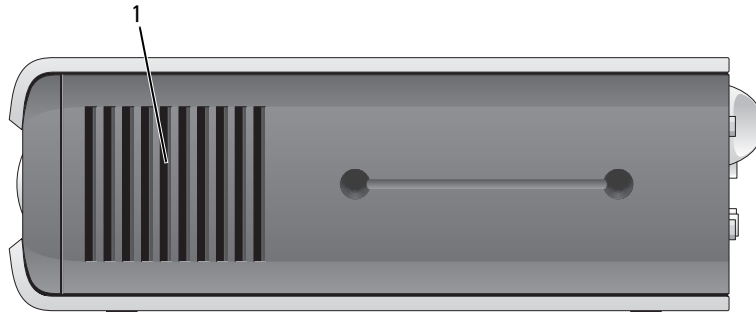
### Ultra-Small Form Factor Computer — Front View



- 1 USB connectors (2) Use the front USB connectors for devices that you connect occasionally, such as joysticks or cameras, or for bootable USB devices (see your online *User's Guide* for more information about booting to a USB device).  
It is recommended that you use the back USB connectors for devices that typically remain connected, such as printers and keyboards.
  
- 2 headphone connector Use the headphone connector to attach headphones and most kinds of speakers.
  
- 3 microphone connector Use the microphone connector to attach a microphone.

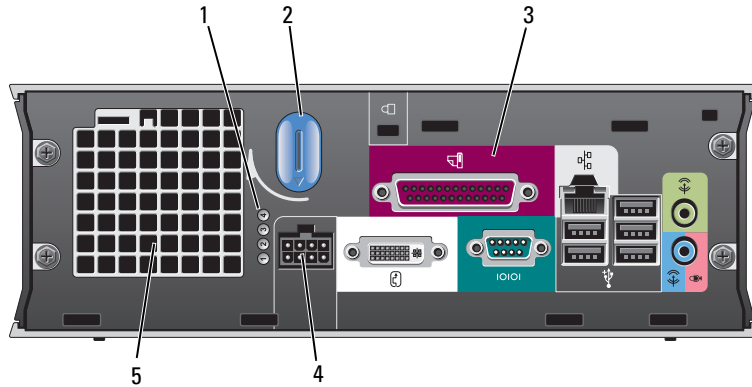
- 4 power light      The power light illuminates and blinks or remains solid to indicate different states:
- No light — The computer is turned off.
  - Steady green — The computer is in a normal operating state.
  - Blinking green — The computer is in a power-saving mode.
  - Blinking or solid yellow — See your online *User's Guide*.
- To exit from a power-saving mode, press the power button or use the keyboard or the mouse if it is configured as a wake device in the Windows Device Manager. For more information about sleep modes and exiting from a power-saving mode, see your online *User's Guide*.
- See "System Lights" on page 49 for a description of light codes that can help you troubleshoot problems with your computer.
- 5 power button      Press this button to turn on the computer.
- ➔ NOTICE:** To avoid losing data, do not turn off the computer by pressing the power button. Instead, perform an operating system shutdown. See "Before You Begin" on page 25 for more information.
- 6 vents              The vents help prevent your computer from overheating. To ensure proper ventilation, do not block these cooling vents.
- 7 module bay        Install a D-module optical drive, second hard drive, or floppy drive in the module bay.
- 8 hard-drive access light      The hard-drive access light is on when the computer reads data from or writes data to the hard drive. The light might also be on when devices such as your CD player are operating.
- 9 vents              The vents help prevent your computer from overheating. To ensure proper ventilation, do not block these cooling vents.

### Ultra-Small Form Factor Computer — Side View



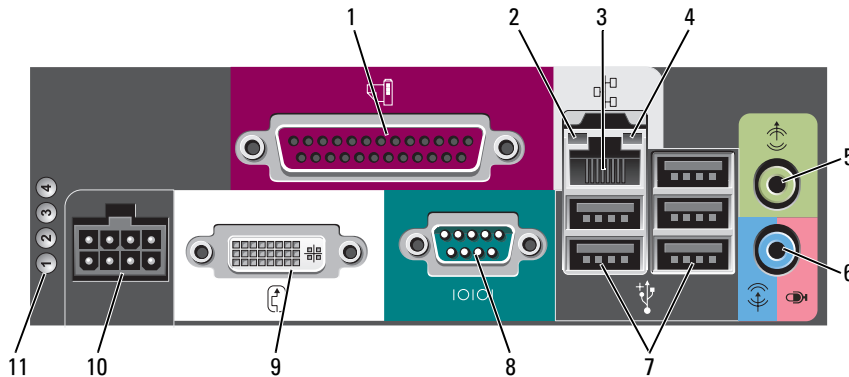
- 1 vents              The vents located on each side of the computer help prevent your computer from overheating. To ensure proper ventilation, do not block these cooling vents.

## Ultra-Small Form Factor Computer — Back View



- |   |                             |   |
|---|-----------------------------|---|
| 1 | diagnostic lights           | See "Diagnostic Lights" on page 50 for a description of light codes that can help you troubleshoot problems with your computer. |
| 2 | computer cover release knob | Rotate this knob in a clockwise direction to remove the cover.  |
| 3 | back-panel connectors       | The connectors for your computer (see "Ultra-Small Form Factor Computer — Back-Panel Connectors" on page 23).                   |
| 4 | power connector             | Insert the power cable.   |
| 5 | vents                       | The vents help prevent your computer from overheating. To ensure proper ventilation, do not block these cooling vents.          |

## Ultra-Small Form Factor Computer — Back-Panel Connectors



- |   |                    |   |
|---|--------------------|---|
| 1 | parallel connector | Connect a parallel device, such as a printer, to the parallel connector. If you have a USB printer, plug it into a USB connector. |
|---|--------------------|---|

- |    |                               |   |
|----|-------------------------------|---|
| 2  | link integrity light          | <ul style="list-style-type: none"> <li>• Green — A good connection exists between a 10-Mbps network and the computer.</li> <li>• Orange — A good connection exists between a 100-Mbps network and the computer.</li> <li>• Yellow — A good connection exists between a 1000-Mbps (1-Gbps) network and the computer.</li> <li>• Off — The computer is not detecting a physical connection to the network or the network controller is turned off in system setup.</li> </ul>   |
| 3  | network adapter               | <p>To attach your computer to a network or broadband device, connect one end of a network cable to either a network jack or your network or broadband device. Connect the other end of the network cable to the network adapter connector on the back panel of your computer. A click indicates that the network cable has been securely attached.</p> <p><b>NOTE:</b> Do not plug a telephone cable into the network connector.</p> <p>On computers with a network connector card, use the connector on the card.</p> <p>It is recommended that you use Category 5 wiring and connectors for your network. If you must use Category 3 wiring, force the network speed to 10 Mbps to ensure reliable operation.</p> |
| 4  | network activity light        | The amber light flashes when the computer is transmitting or receiving network data. A high volume of network traffic may make this light appear to be in a steady "on" state.  |
| 5  | line-out connector            | Use the green line-out connector to attach an amplified speaker set.  |
| 6  | line-in/ microphone connector | Use the blue and pink line-in/ microphone connector to attach a record/playback device such as a cassette player, CD player, or VCR.; or a personal computer microphone for voice or musical input into a sound or telephony program.   |
| 7  | USB connectors (5)            | Use the back USB connectors for devices that typically remain connected, such as printers and keyboards.  |
| 8  | serial connector              | Connect a serial device, such as a handheld device, to the serial connector.  |
| 9  | video connector               | <p>If you have a DVI-compatible monitor, plug the cable from your monitor into the white connector on the back panel.</p> <p>If you have a VGA monitor, see "Connecting a VGA Monitor" in your computer <i>User's Guide</i>.</p>  |
| 10 | power connector               | The connector for the power adapter.  |
| 11 | diagnostic lights             | See "Diagnostic Lights" on page 50 for a description of light codes that can help you troubleshoot problems with your computer.   |

## Removing the Computer Cover




**CAUTION:** Before you begin any of the procedures in this section, follow the safety instructions in the *Product Information Guide*.



**CAUTION:** To guard against electrical shock, always unplug your computer from the electrical outlet before removing the cover.




## Before You Begin


-  **NOTICE:** To avoid losing data, save and close any open files and exit any open programs before you turn off your computer.
- 1 Shut down the operating system:
  - a Save and close any open files, exit any open programs, click the **Start** button, and then click **Turn Off Computer**.
  - b In the **Turn off computer** window, click **Turn off**.  
The computer turns off after the operating system shutdown process finishes.
- 2 Ensure that the computer and any attached devices are turned off. If your computer and attached devices did not automatically turn off when you shut down your operating system, turn them off now.


## Before Working Inside Your Computer

Use the following safety guidelines to help protect your computer from potential damage and to help ensure your own personal safety.

 **CAUTION:** Before you begin any of the procedures in this section, follow the safety instructions in the *Product Information Guide*.


 **CAUTION:** Handle components and cards with care. Do not touch the components or contacts on a card. Hold a card by its edges or by its metal mounting bracket. Hold a component such as a processor by its edges, not by its pins.

 **NOTICE:** Only a certified service technician should perform repairs on your computer. Damage due to servicing that is not authorized by Dell is not covered by your warranty.

 **NOTICE:** When you disconnect a cable, pull on its connector or on its strain-relief loop, not on the cable itself. Some cables have a connector with locking tabs; if you are disconnecting this type of cable, press in on the locking tabs before you disconnect the cable. As you pull connectors apart, keep them evenly aligned to avoid bending any connector pins. Also, before you connect a cable, ensure that both connectors are correctly oriented and aligned.

To avoid damaging the computer, perform the following steps before you begin working inside the computer.

- 1 Turn off your computer.

 **NOTICE:** To disconnect a network cable, first unplug the cable from your computer and then unplug it from the network wall jack.

- 2 Disconnect any telephone or telecommunication lines from the computer.

- 3 Disconnect your computer and all attached devices from their electrical outlets, and then press the power button to ground the system board.

- 4 If applicable, remove the computer stand (for instructions, see the documentation that came with the stand).

 **CAUTION:** To guard against electrical shock, always unplug your computer from the electrical outlet before removing the cover.

5 Remove the computer cover:

- Remove the mini tower computer cover (see "Mini Tower Computer" on page 26).
- Remove the desktop computer cover (see "Desktop Computer" on page 27).
- Remove the small form factor computer cover (see "Small Form Factor Computer" on page 28).
- Remove the ultra-small form factor computer cover (see "Ultra-Small Form Factor Computer" on page 30).



**NOTICE:** Before touching anything inside your computer, ground yourself by touching an unpainted metal surface, such as the metal at the back of the computer. While you work, periodically touch an unpainted metal surface to dissipate any static electricity that could harm internal components.

## Mini Tower Computer



**CAUTION:** Before you begin any of the procedures in this section, follow the safety instructions in the *Product Information Guide*.

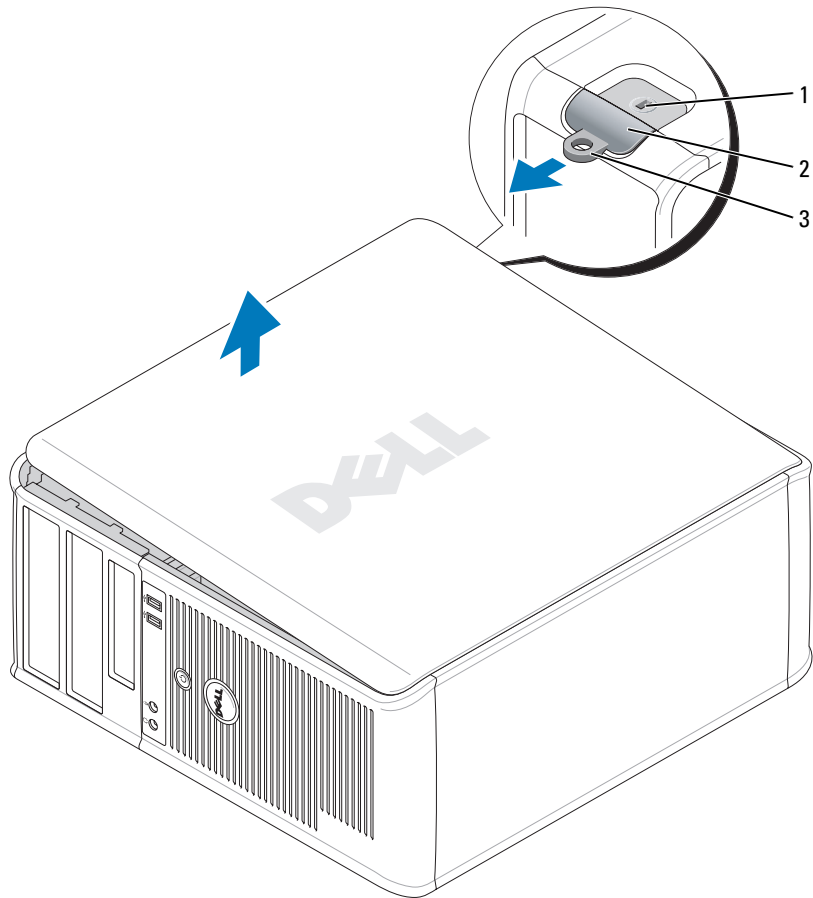


**CAUTION:** To guard against electrical shock, always unplug your computer from the electrical outlet before removing the computer cover.

- 1 Follow the procedures in "Before You Begin" on page 25.
- 2 Lay the computer on its side as shown in the illustration.
- 3 Locate the cover release latch shown in the illustration. Then, slide the release latch back as you lift the cover.
- 4 Grip the sides of the computer cover and pivot the cover up using the hinge tabs as leverage points.
- 5 Remove the cover from the hinge tabs and set it aside on a soft nonabrasive surface.



**CAUTION:** Graphic card heatsinks may become very hot during normal operation. Ensure that a graphic card heatsink has had sufficient time to cool before you touch it.



1 security cable slot

2 cover release latch

3 padlock ring

## Desktop Computer

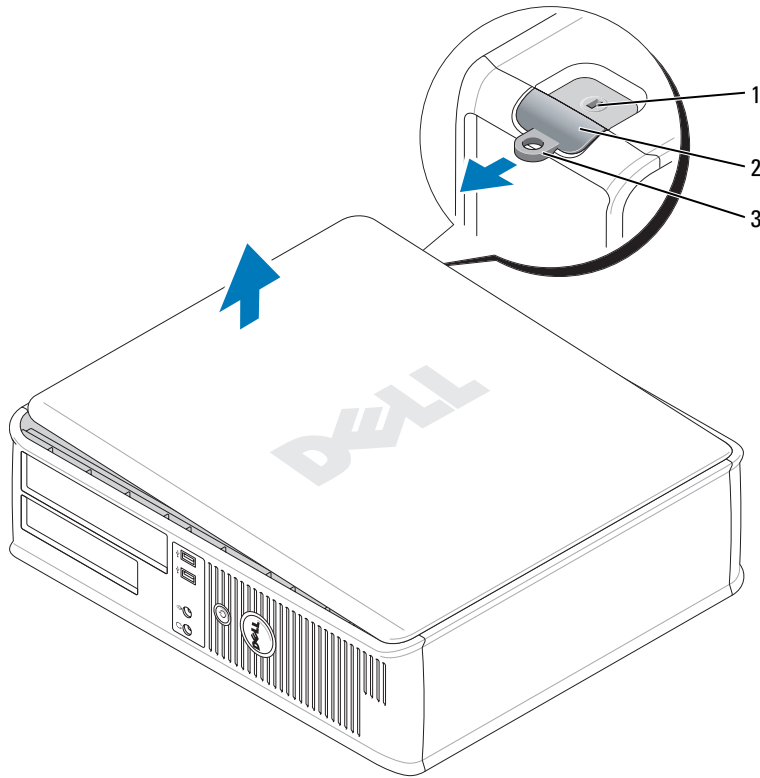
**CAUTION:** Before you begin any of the procedures in this section, follow the safety instructions in the *Product Information Guide*.

**CAUTION:** To guard against electrical shock, always unplug your computer from the electrical outlet before removing the computer cover.

- 1 Follow the procedures in "Before You Begin" on page 25.
- 2 If you have installed a padlock through the padlock ring on the back panel, remove the padlock.

- 3 Locate the cover release latch shown in the illustration. Then, slide the release latch back as you lift the cover.
- 4 Grip the sides of the computer cover and pivot the cover up using the hinge tabs as leverage points.
- 5 Remove the cover from the hinge tabs and set it aside on a soft nonabrasive surface.

**CAUTION:** Graphic card heatsinks may become very hot during normal operation. Ensure that a graphic card heatsink has had sufficient time to cool before you touch it.



1 security cable slot

2 cover release latch

3 padlock ring

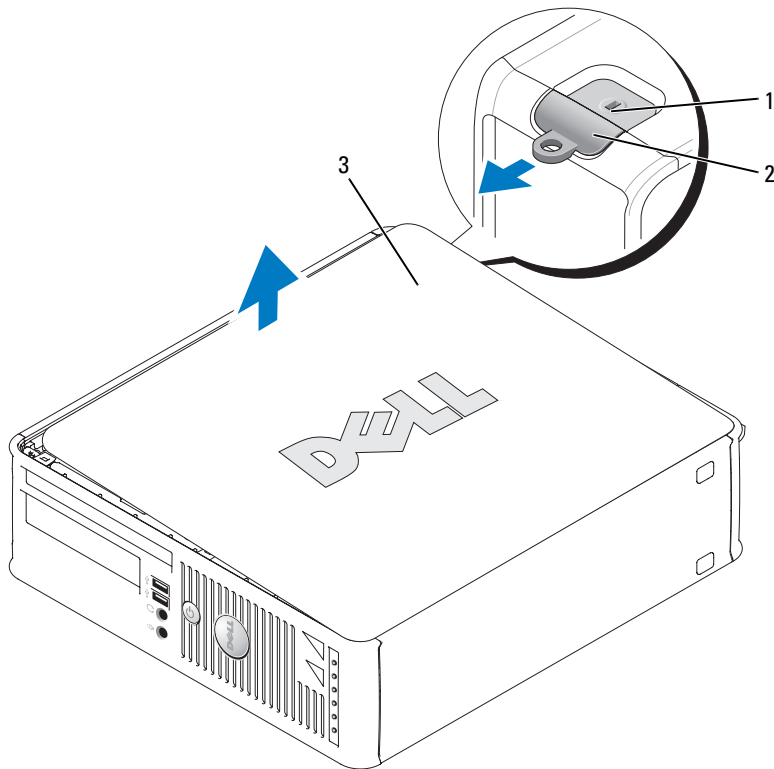
### Small Form Factor Computer

**CAUTION:** Before you begin any of the procedures in this section, follow the safety instructions in the *Product Information Guide*.

**CAUTION:** To guard against electrical shock, always unplug your computer from the electrical outlet before removing the computer cover.

- 1 Follow the procedures in "Before You Begin" on page 25.
- 2 If you have installed a padlock through the padlock ring on the back panel, remove the padlock.
- 3 Locate the cover release latch shown in the illustration. Then, slide the release latch back as you lift the cover.
- 4 Grip the sides of the computer cover and pivot the cover up using the bottom hinges as leverage points.
- 5 Remove the cover from the hinge tabs and set it aside on a soft nonabrasive surface.

**⚠ CAUTION: Graphic card heatsinks may become very hot during normal operation. Ensure that a graphic card heatsink has had sufficient time to cool before you touch it.**



1 security cable slot

2 cover release latch

3 computer cover

## Ultra-Small Form Factor Computer

**⚠ CAUTION:** Before you begin any of the procedures in this section, follow the safety instructions in the *Product Information Guide*.

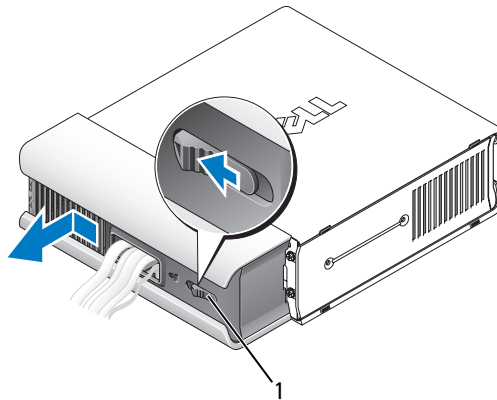
**⚠ CAUTION:** To guard against electrical shock, always unplug your computer from the electrical outlet before removing the computer cover.

1 Follow the procedures in "Before You Begin" on page 25.

**➡ NOTICE:** Before touching anything inside your computer, ground yourself by touching an unpainted metal surface. While you work, periodically touch an unpainted metal surface to dissipate any static electricity that could harm internal components.

2 If applicable, remove the cable cover.

a If a security device is installed in the security cable slot, remove the device.



1 release button

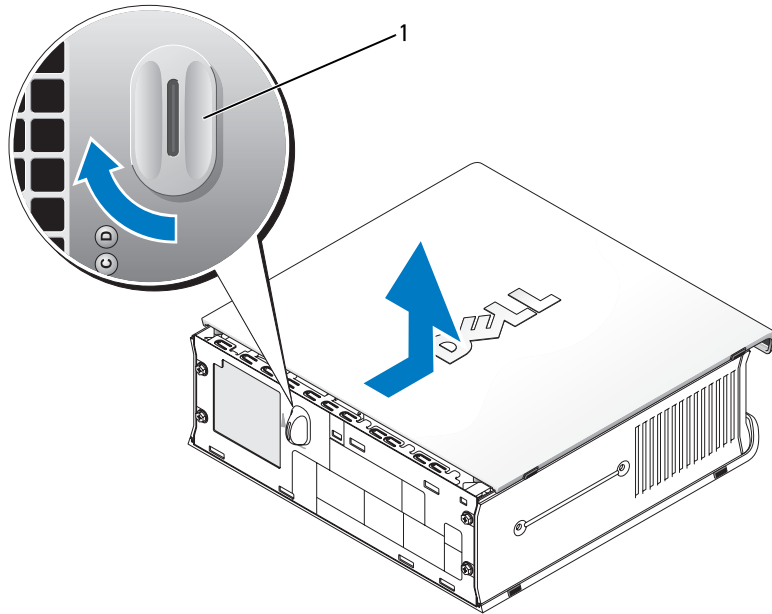
b Press on the release button, grasp the cable cover, and slide the cover to the left until it stops, and then lift the cable cover up and away.

3 Remove the computer cover:

a Rotate the cover release knob in a clockwise direction, as shown in the illustration.

b Slide the computer cover forward by 1 cm (1/2 inch), or until it stops, and then raise the cover.

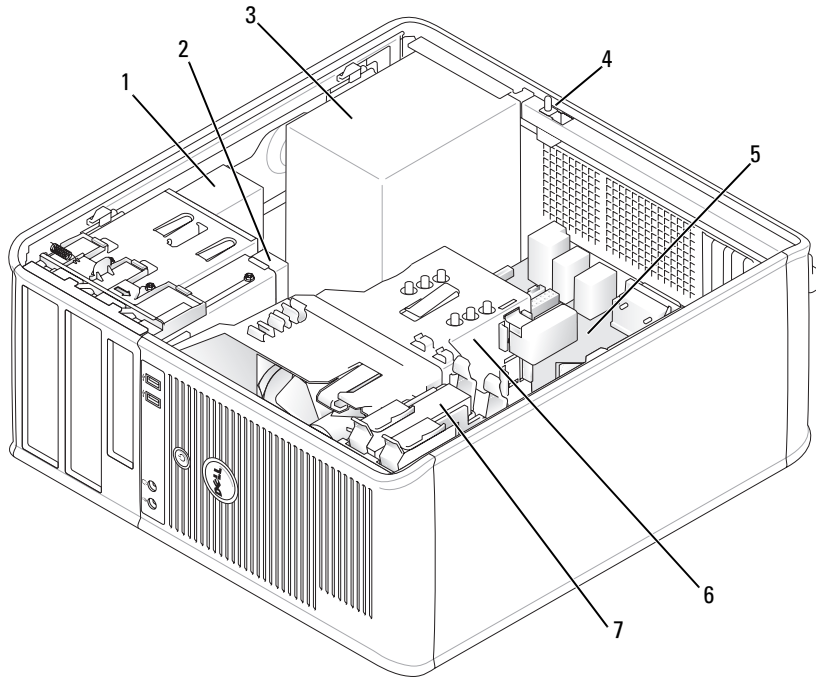
**⚠ CAUTION:** Graphic card heatsinks may become very hot during normal operation. Ensure that a graphic card heatsink has had sufficient time to cool before you touch it.



1 release knob

# Inside Your Computer

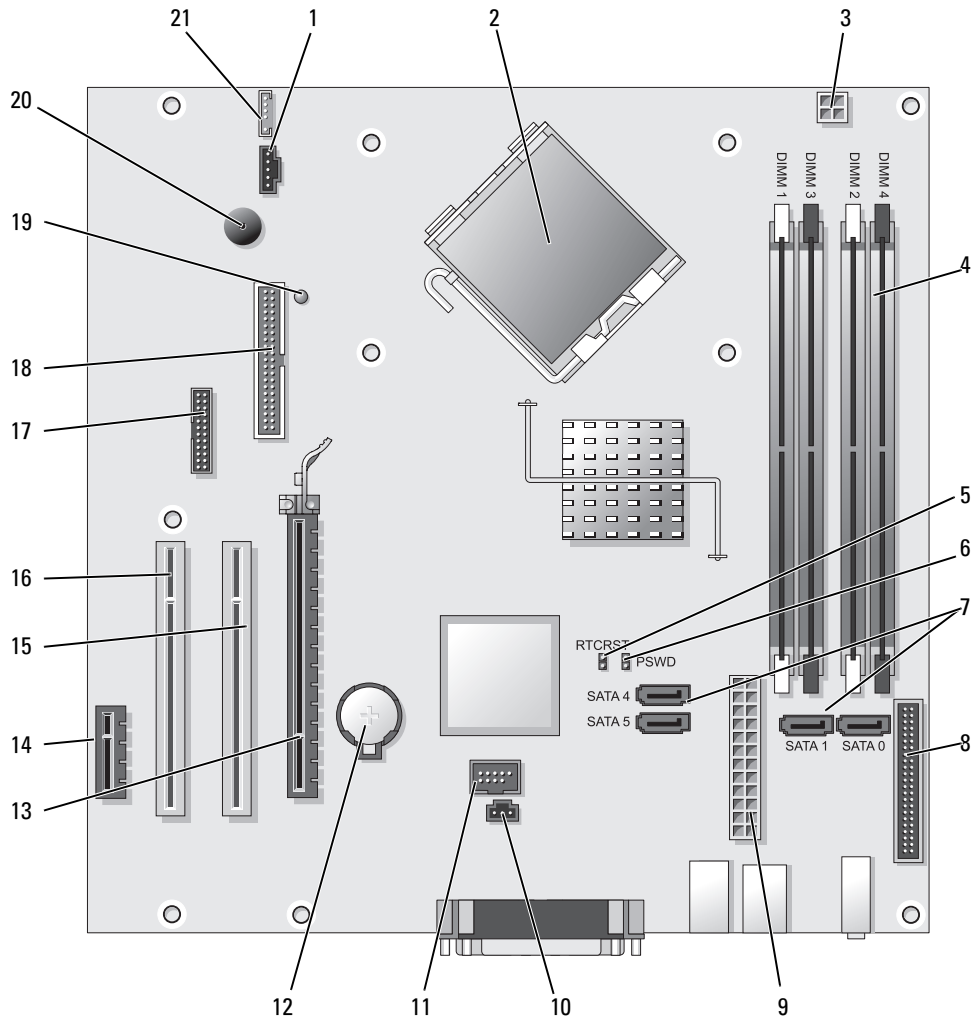
## Mini Tower Computer



- |   |                                   |   |                                   |   |                    |
|---|-----------------------------------|---|-----------------------------------|---|--------------------|
| 1 | optical drive                     | 2 | floppy drive or media card reader | 3 | power supply       |
| 4 | optional chassis-intrusion switch | 5 | system board                      | 6 | heat-sink assembly |
| 7 | hard drive                        |   |                                   |   |                    |

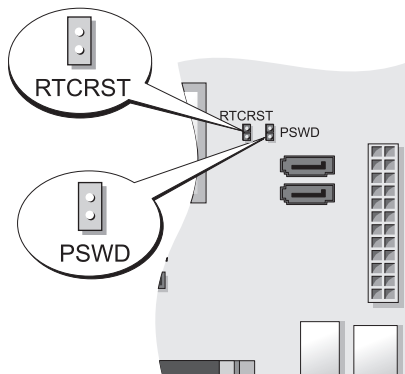






## System Board Components



- |    |   |    |                                   |
|----|---|----|-----------------------------------|
| 1  | fan connector (FAN)                                       | 12 | battery socket (BATT)             |
| 2  | processor connector (CPU)                                 | 13 | PCI Express x16 connector (SLOT1) |
| 3  | processor power connector (12VPOWER)                      | 14 | PCI Express x1 connector (SLOT4)  |
| 4  | memory module connectors (DIMM_1, DIMM_2, DIMM_3, DIMM_4) | 15 | PCI connector (SLOT2)             |
| 5  | RTC reset jumper (RTCRST)                                 | 16 | PCI connector (SLOT3)             |
| 6  | password jumper (PSWD)                                    | 17 | serial connector (SER2)           |
| 7  | SATA drive connectors (SATA0, SATA1, SATA4, SATA5)        | 18 | floppy drive connector (DSKT)     |
| 8  | front-panel connector (FNT_PANEL)                         | 19 | flea power                        |
| 9  | power connector (POWER)                                   | 20 | system board speaker (BEEP)       |
| 10 | intrusion switch connector (INTRUDER)                     | 21 | speaker connector (INT_SPKR)      |
| 11 | internal USB (INTERNAL_USB)                               |    |                                   |

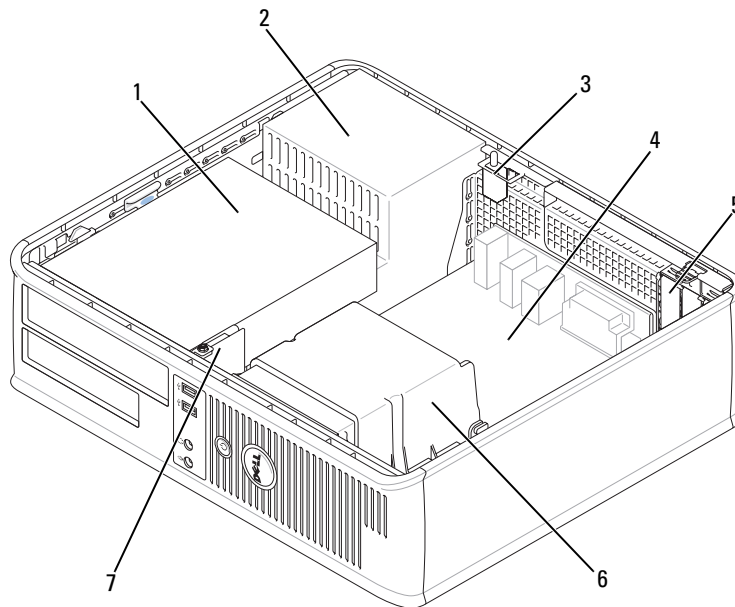
### Jumper Settings



Jumper	Setting	Description
PSWD		Password features are enabled (default setting).
		Password features are disabled.
RTCRST		The real-time clock has not been reset.
		The real-time clock is being reset (jumpered temporarily).

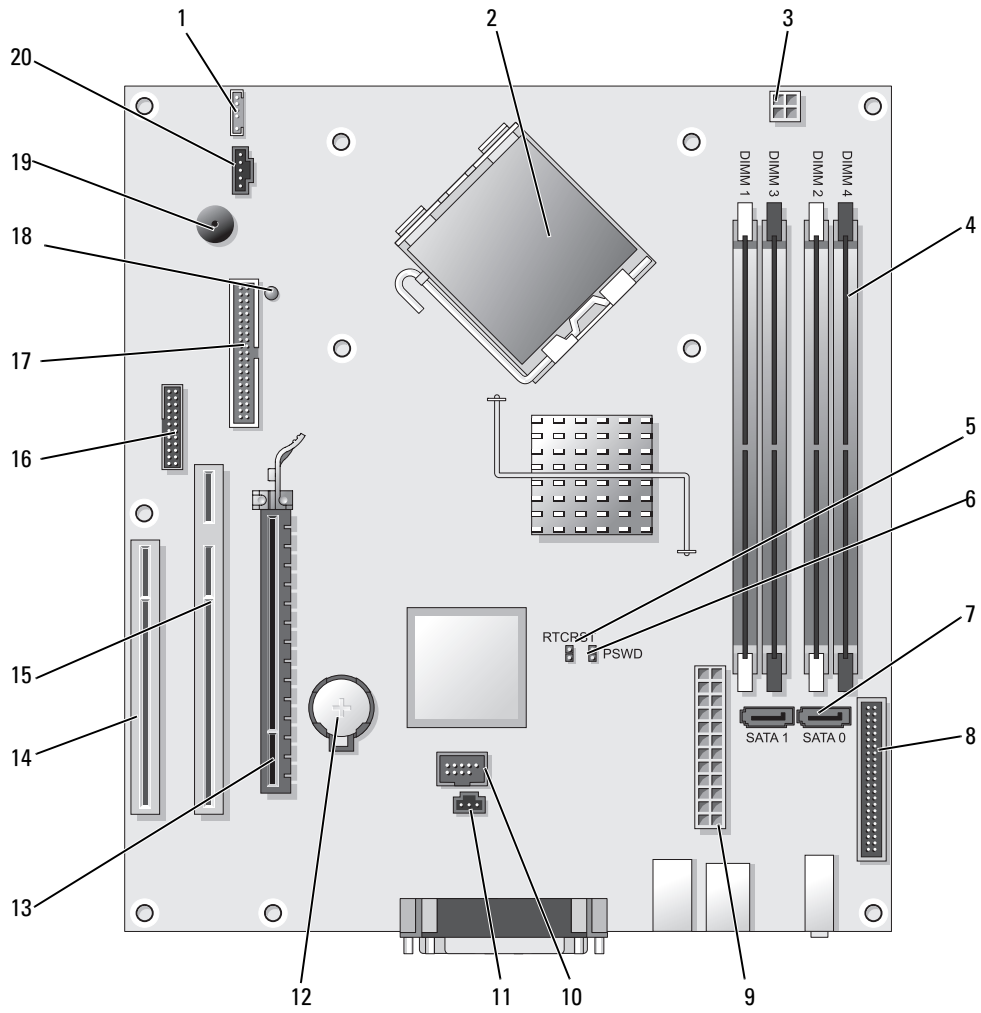
 *jumpered*     *unjumpered*

## Desktop Computer



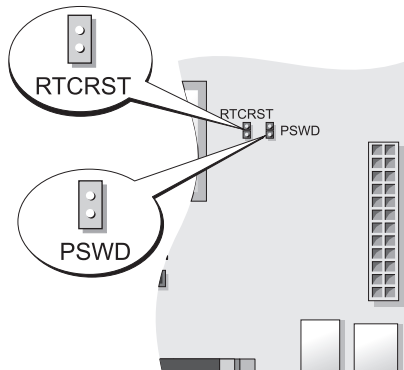
- |   |  |   |              |   |                                   |
|---|--|---|--------------|---|-----------------------------------|
| 1 | drive bays (media card reader or floppy drive, optical drive and hard drive) | 2 | power supply | 3 | optional chassis-intrusion switch |
| 4 | system board   | 5 | card slots   | 6 | heat sink assembly                |
| 7 | front I/O panel  |   |              |   |                                   |





## System Board Components



- |    |   |    |                                       |
|----|---|----|---------------------------------------|
| 1  | internal speaker (INT_SPKR)                               | 11 | intrusion switch connector (INTRUDER) |
| 2  | processor connector (CPU)                                 | 12 | battery socket (BATT)                 |
| 3  | processor power connector (12VPOWER)                      | 13 | PCI Express x16 connector (SLOT1)     |
| 4  | memory module connectors (DIMM_1, DIMM_2, DIMM_3, DIMM_4) | 14 | PCI connector (SLOT3)                 |
| 5  | RTC reset jumper (RTCRST)                                 | 15 | PCI connector (SLOT2)                 |
| 6  | password jumper (PSWD)                                    | 16 | serial connector (SER2)               |
| 7  | SATA connectors (SATA0, SATA1)                            | 17 | floppy drive connector (DSKT)         |
| 8  | front-panel connector (FNT_PANEL)                         | 18 | flea power                            |
| 9  | power connector (POWER)                                   | 19 | system board speaker (BEEP)           |
| 10 | internal USB (INTERNAL_USB)                               | 20 | fan connector (FAN)                   |

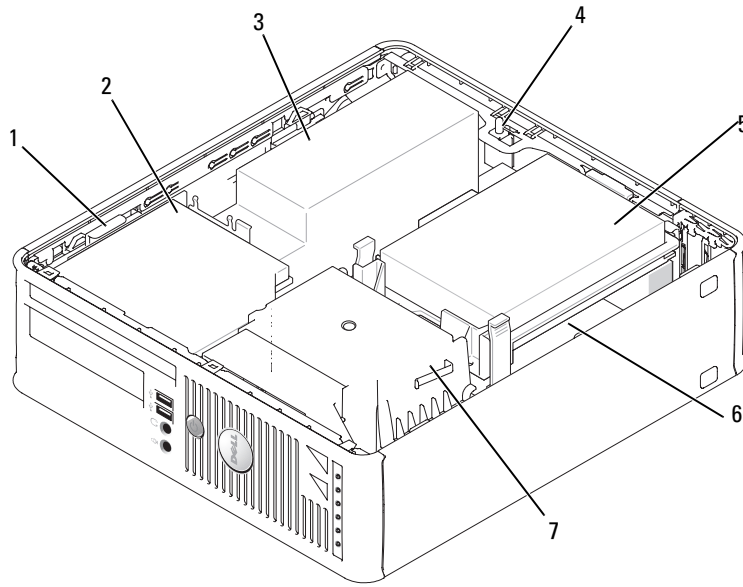
### Jumper Settings



Jumper	Setting	Description
PSWD		Password features are enabled (default setting).
		Password features are disabled.
RTCRST		The real-time clock has not been reset.
		The real-time clock is being reset (jumpered temporarily).

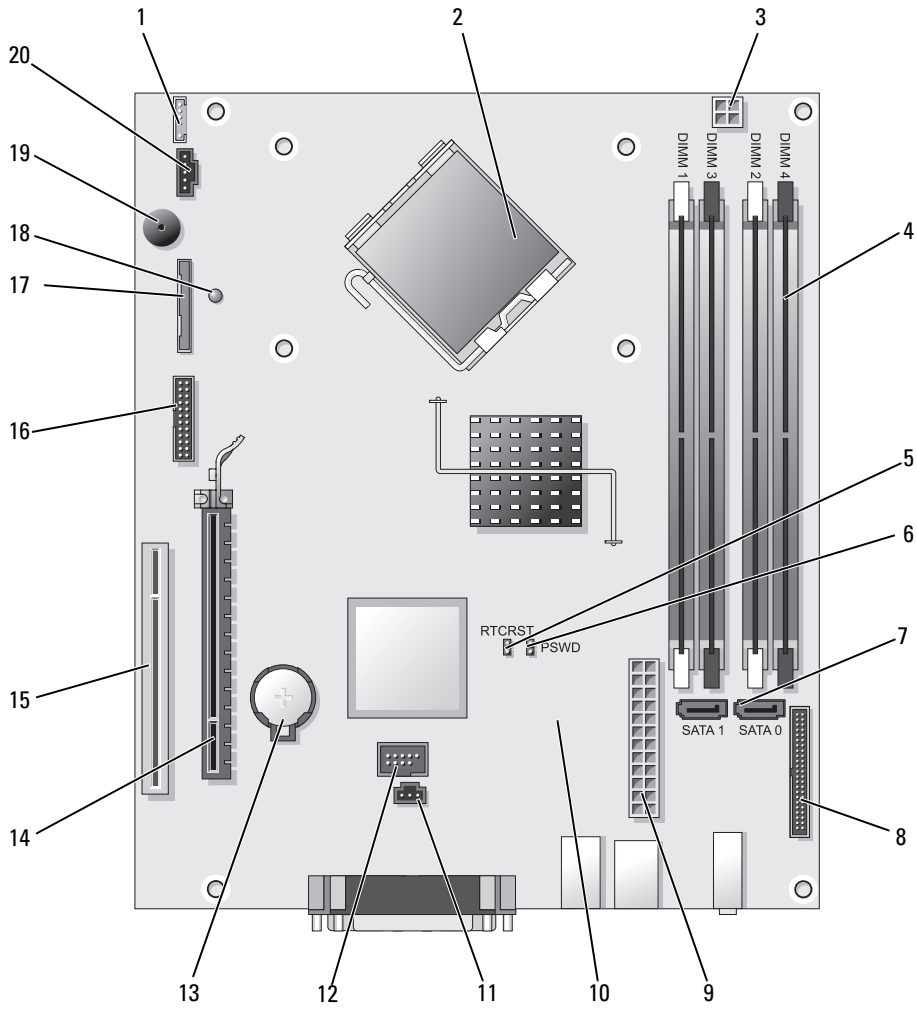
 *jumpered*     *unjumpered*

## Small Form Factor Computer



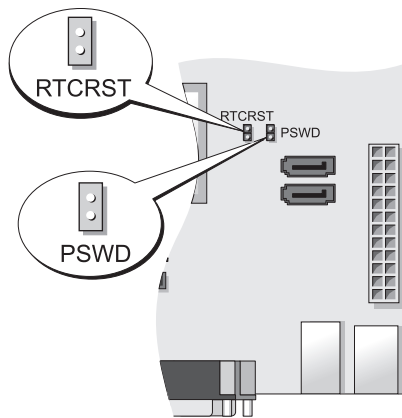
- |   |                                   |   |               |   |                      |
|---|-----------------------------------|---|---------------|---|----------------------|
| 1 | drive-release latch               | 2 | optical drive | 3 | power supply and fan |
| 4 | optional chassis-intrusion switch | 5 | hard drive    | 6 | system board         |
| 7 | heat sink and blower assembly     |   |               |   |                      |

## System Board Components







- |    |   |    |                                       |
|----|---|----|---------------------------------------|
| 1  | internal speaker connector (INT_SPKR)                     | 11 | intrusion switch connector (INTRUDER) |
| 2  | processor connector (CPU)                                 | 12 | internal USB connector (USB)          |
| 3  | processor power connector (12VPOWER)                      | 13 | battery socket (BATT)                 |
| 4  | memory module connectors (DIMM_1, DIMM_2, DIMM_3, DIMM_4) | 14 | PCI Express x16 connector (SLOT1)     |
| 5  | RTC reset jumper (RTCRST)                                 | 15 | PCI connector (SLOT2)                 |
| 6  | password jumper (PSWD)                                    | 16 | serial connector (SER2)               |
| 7  | SATA connectors (SATA0, SATA1)                            | 17 | floppy drive connector (DSKT)         |
| 8  | front-panel connector (FNT_PANEL)                         | 18 | flea power                            |
| 9  | power connector (POWER)                                   | 19 | system board speaker (BEEP)           |
| 10 | fan connector (FAN2)                                      | 20 | fan connector (FAN)                   |

### Jumper Settings

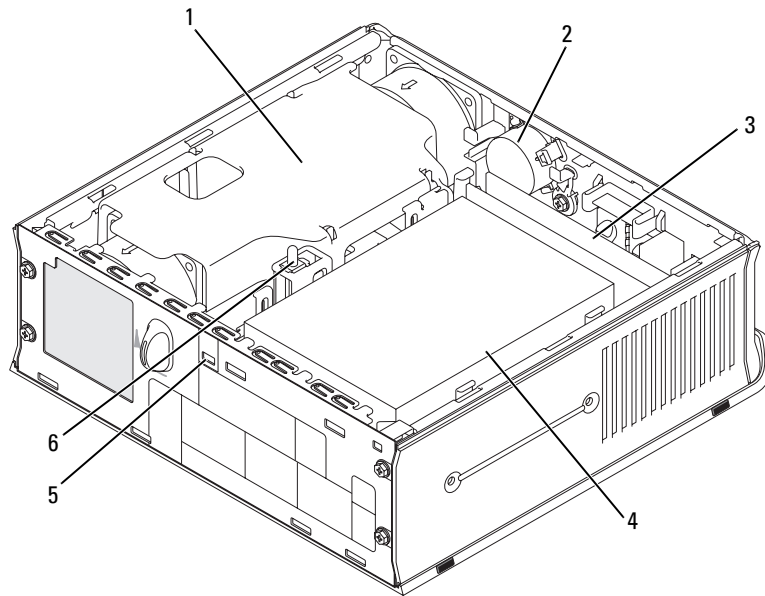




Jumper	Setting	Description
PSWD		Password features are enabled (default setting).
		Password features are disabled.
RTC RST		The real-time clock has not been reset.
		The real-time clock is being reset (jumpered temporarily).

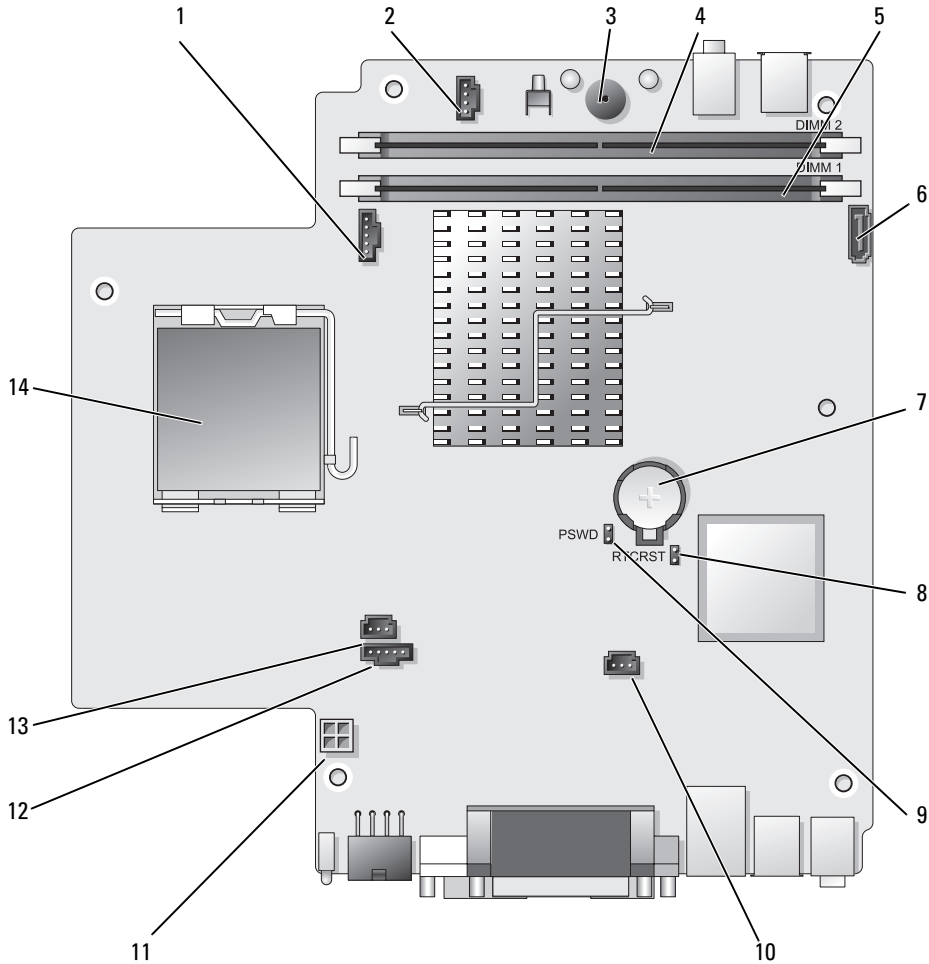
 *jumpered*     *unjumpered*

### Ultra-Small Form Factor Computer



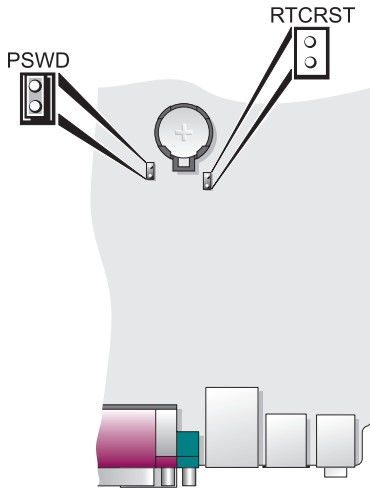
- |   |                                |   |                     |   |                          |
|---|--------------------------------|---|---------------------|---|--------------------------|
| 1 | fan shroud/ heat sink assembly | 2 | speaker (optional)  | 3 | memory modules (2)       |
| 4 | hard drive                     | 5 | security cable slot | 6 | chassis intrusion switch |

## System Board Components



- |   |                                       |    |                                       |
|---|---------------------------------------|----|---------------------------------------|
| 1 | fan connector (FAN_FRONT)             | 8  | clear CMOS jumper (RTCRST)            |
| 2 | internal speaker connector (INT_SPKR) | 9  | password jumper (PSWD)                |
| 3 | system board speaker (BEEP)           | 10 | hard-drive fan connector (FAN_HDD)    |
| 4 | channel B memory connector (DIMM_2)   | 11 | hard-drive power connector (SATA_PWR) |
| 5 | channel A memory connector (DIMM_1)   | 12 | fan connector (FAN_REAR)              |
| 6 | SATA data cable connector(SATA0)      | 13 | intrusion switch connector (INTRUDER) |
| 7 | battery (BATT)                        | 14 | processor (CPU)                       |

## Jumper Settings




Jumper	Setting	Description
PSWD		Password features are enabled (default setting).
		Password features are disabled.
RTCRST		The real-time clock has not been reset.
		The real-time clock is being reset (jumpered temporarily).


*jumpered*   
 *unjumpered*

## Setting Up Your Computer


- CAUTION:** Before performing any of the procedures in this section, follow the safety instructions in *Product Information Guide*.
- NOTICE:** If your computer has an expansion card installed (such as a modem card), connect the appropriate cable to the card, *not* to the connector on the back panel.
- NOTICE:** To help allow the computer to maintain proper operating temperature, ensure that you do not place the computer too close to a wall or other storage compartment that might prevent air circulation around the chassis. See your Product Information Guide for more information.

 **NOTE:** Before you install any devices or software that did not ship with your computer, read the documentation that came with the device or software, or contact the vendor to verify that the device or software is compatible with your computer and operating system.

You must complete all the steps to properly set up your computer. See the appropriate figures that follow the instructions.

 **NOTICE:** Do not attempt to operate a PS/2 mouse and a USB mouse simultaneously.

1 Connect the keyboard and mouse.


 **NOTICE:** Do not connect a modem cable to the network adapter connector. Voltage from telephone communications can cause damage to the network adapter

2 Connect the modem or network cable.

Insert the network cable, not the telephone line, into the network connector. If you have an optional modem, connect the telephone line to the modem.


3 Connect the monitor.


Align and gently insert the monitor cable to avoid bending connector pins. Tighten the thumbscrews on the cable connectors.

 **NOTE:** Some monitors have the video connector underneath the back of the screen. See the documentation that came with your monitor for its connector locations.

4 Connect the speakers.

5 Connect power cables to the computer, monitor, and devices and connect the other ends of the power cables to electrical outlets.

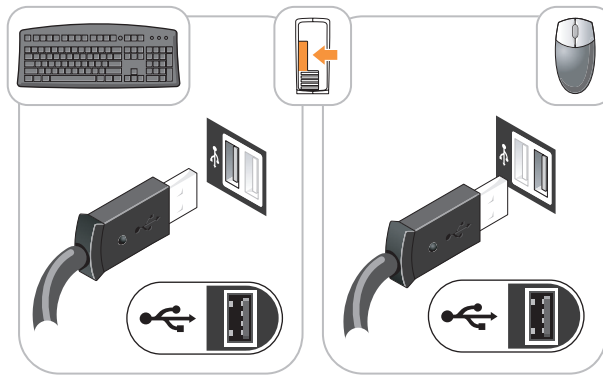
 **NOTICE:** To avoid damaging a computer with a manual voltage-selection switch, set the switch for the voltage that most closely matches the AC power available in your location.

 **NOTICE:** In Japan, the voltage selection switch must be set to the 115-V position even though the AC power available in Japan is 100 V.

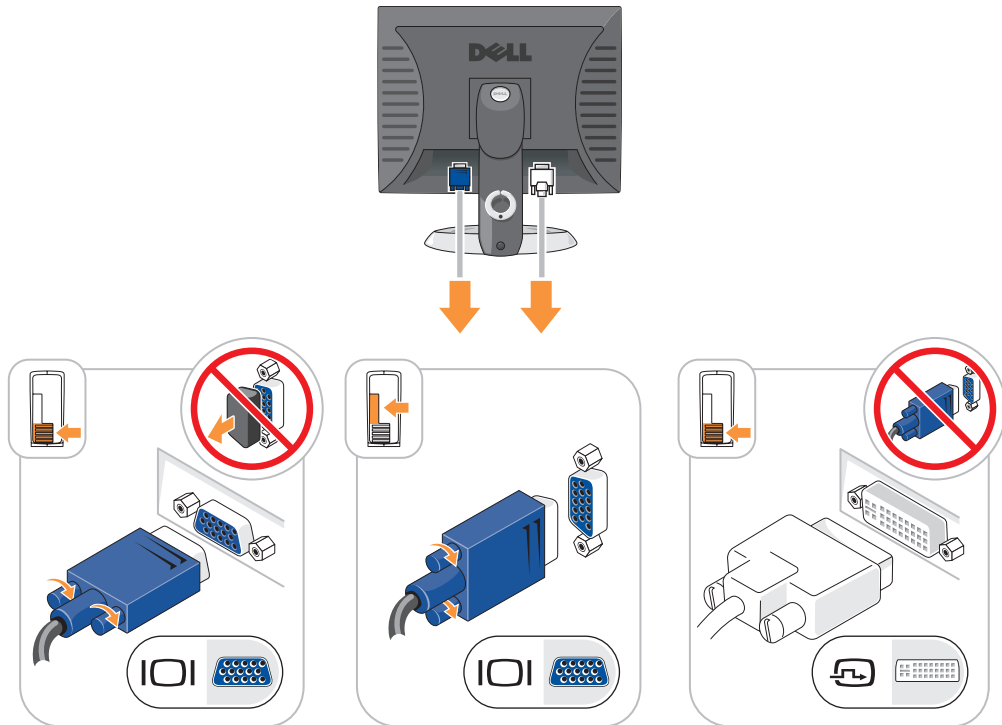
6 Verify that the voltage selection switch is set correctly for your location.

Your computer has a manual voltage-selection switch. Computers with a voltage selection switch on the back panel must be manually set to operate at the correct operating voltage.

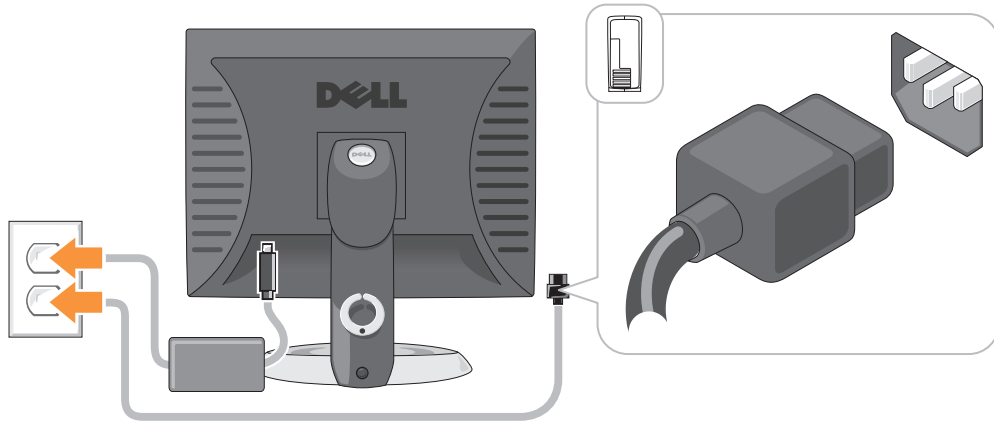
## Set Up Your Keyboard and Mouse



## Set Up Your Monitor



## Power Connections



## Solving Problems

Dell provides a number of tools to help you if your computer does not perform as expected. For the latest troubleshooting information available for your computer, see the Dell Support website at [support.dell.com](http://support.dell.com).

If computer problems occur that require help from Dell, write a detailed description of the error, beep codes, or diagnostics light patterns, record your Express Service Code and Service Tag below, and then contact Dell from the same location as your computer. For information on contacting Dell, see your online *User's Guide*.

For an example of the Express Service Code and Service Tag, see "Finding Information" in your computer *User's Guide*.

Express Service Code: \_\_\_\_\_

Service Tag: \_\_\_\_\_

## Dell Diagnostics

**⚠ CAUTION:** Before you begin any of the procedures in this section, follow the safety instructions in the *Product Information Guide*.

### When to Use the Dell Diagnostics

If you experience a problem with your computer, perform the checks in "Solving Problems" in your online *User's Guide* and run the Dell Diagnostics before you contact Dell for technical assistance. For information on contacting Dell, see your online *User's Guide*.


**🔄 NOTICE:** The Dell Diagnostics works only on Dell™ computers.

Enter system setup (see "System Setup" in your online *User's Guide* for instructions), review your computer's configuration information, and ensure that the device you want to test displays in system setup and is active.

Start the Dell Diagnostics from either your hard drive or from the optional *Drivers and Utilities* CD (*ResourceCD*).

### Starting the Dell Diagnostics From Your Hard Drive

- 1 Turn on (or restart) your computer.
- 2 When the DELL logo appears, press <F12> immediately.

 **NOTE:** If you see a message stating that no diagnostics utility partition has been found, run the Dell Diagnostics from the optional *Drivers and Utilities* CD (see "Starting the Dell Diagnostics From the Drivers and Utilities CD" on page 47).

If you wait too long and the operating system logo appears, continue to wait until you see the Microsoft® Windows® desktop. Then shut down your computer and try again.

When the boot device list appears, highlight **Boot to Utility Partition** and press <Enter>.


- 3 When the Dell Diagnostics **Main Menu** appears, select the test you want to run.

### Starting the Dell Diagnostics From the Drivers and Utilities CD

- 1 Insert the *Drivers and Utilities* CD.
- 2 Shut down and restart the computer.

When the DELL logo appears, press <F12> immediately.

If you wait too long and the operating system logo appears, continue to wait until you see the Microsoft Windows desktop. Then shut down your computer and try again.

 **NOTE:** The next steps change the boot sequence for one time only. On the next start-up, the computer boots according to the devices specified in system setup.

- 3 When the boot device list appears, highlight the listing for the CD/DVD drive and press <Enter>.
- 4 Select the listing for the CD/DVD drive option from the CD boot menu.
- 5 Select the option to boot from the CD/DVD drive from the menu that appears.
- 6 Type 1 to start the *Drivers and Utilities* CD menu.
- 7 Type 2 to start the Dell Diagnostics.
- 8 Select **Run the 32 Bit Dell Diagnostics** from the numbered list. If multiple versions are listed, select the version appropriate for your computer.
- 9 When the Dell Diagnostics **Main Menu** appears, select the test you want to run.


## Dell Diagnostics Main Menu

- 1 After the Dell Diagnostics loads and the **Main Menu** screen appears, click the button for the option you want.

Option	Function
Express Test	Performs a quick test of devices. This test typically takes 10 to 20 minutes and requires no interaction on your part. Run <b>Express Test</b> first to increase the possibility of tracing the problem quickly.
Extended Test	Performs a thorough check of devices. This test typically takes an hour or more and requires you to answer questions periodically.
Custom Test	Tests a specific device. You can customize the tests you want to run.
Symptom Tree	Lists the most common symptoms encountered and allows you to select a test based on the symptom of the problem you are having.

- 2 If a problem is encountered during a test, a message appears with an error code and a description of the problem. Write down the error code and problem description and follow the instructions on the screen.

If you cannot resolve the error condition, contact Dell. For information on contacting Dell, see your online *User's Guide*.

 **NOTE:** The Service Tag for your computer is located at the top of each test screen. If you contact Dell, technical support will ask for your Service Tag.

- 3 If you run a test from the **Custom Test** or **Symptom Tree** option, click the applicable tab described in the following table for more information.

Tab	Function
Results	Displays the results of the test and any error conditions encountered.
Errors	Displays error conditions encountered, error codes, and the problem description.
Help	Describes the test and may indicate requirements for running the test.
Configuration	Displays your hardware configuration for the selected device.  The Dell Diagnostics obtains configuration information for all devices from system setup, memory, and various internal tests, and it displays the information in the device list in the left pane of the screen. The device list may not display the names of all the components installed on your computer or all devices attached to your computer.
Parameters	You can customize the test by changing the test settings.



- 4 When the tests are completed, if you are running the Dell Diagnostics from the *Drivers and Utilities* CD (optional), remove the CD.
- 5 Close the test screen to return to the **Main Menu** screen. To exit the Dell Diagnostics and restart the computer, close the **Main Menu** screen.

## System Lights

Your power light may indicate a computer problem.

<b>Power Light</b>	<b>Problem Description</b>	<b>Suggested Resolution</b>
Solid green	Power is on, and the computer is operating normally.	No corrective action is required.
Blinking green	The computer is in a power-saving mode.	Press the power button, move the mouse, or press a key on the keyboard to wake the computer.
Blinks green several times and then turns off	A configuration error exists.	Check Diagnostic Lights to see if the specific problem is identified (see "Diagnostic Lights" on page 50).
Solid yellow	A device on the system board may be faulty or incorrectly installed or the voltage selection switch on the power supply may be set incorrectly.	Check Diagnostic Lights to see if the specific problem is identified (see "Diagnostic Lights" on page 50). See "Power Problems" in your online <i>User's Guide</i> . If the computer does not boot, contact Dell for technical assistance. For information on contacting Dell, see your online <i>User's Guide</i> .
Blinking yellow	A power supply or system board failure has occurred.	Check Diagnostic Lights to see if the specific problem is identified (see "Diagnostic Lights" on page 50). See "Power Problems" in your online <i>User's Guide</i> . If the computer does not boot, contact Dell for technical assistance. For information on contacting Dell, see your online <i>User's Guide</i> .
Solid green and a beep code during POST	A problem was detected while the BIOS was executing.	For instructions on diagnosing the beep code see "Beep Codes" on page 52. Also, check Diagnostic Lights to see if the specific problem is identified.


Power Light	Problem Description	Suggested Resolution
Solid green power light, no beep code and no video during POST	The monitor or the graphics card may be faulty or incorrectly installed.	Check Diagnostic Lights to see if the specific problem is identified.
Solid green power light and no beep code, but the computer locks up during POST	An integrated system board device may be faulty.	Check Diagnostic Lights to see if the specific problem is identified. If the problem is not identified, contact Dell for technical assistance. For information on contacting Dell, see your online <i>User's Guide</i> .




## Diagnostic Lights





 **CAUTION:** Before you begin any of the procedures in this section, follow the safety instructions in the *Product Information Guide*.




To help you troubleshoot a problem, your computer has four lights labeled "1," "2," "3," and "4" on the front or back panel. The lights can be "off" or green. When the computer starts normally, the patterns or codes on the lights change as the boot process completes. If the POST portion of system boot completes successfully, all four lights display solid green for a short time, and then turn off.

If the computer malfunctions during the POST process, the pattern displayed on the LEDs may help identify where in the process the computer halted. If the computer malfunctions after a successful POST, the diagnostic lights do not indicate the cause of the problem.

 **NOTE:** The orientation of the diagnostic lights may vary depending on the system type. The diagnostic lights can be either vertically or horizontally oriented.

Light Pattern	Problem Description	Suggested Resolution
	The computer is in a normal "off" condition, or a possible pre-BIOS failure has occurred.  The diagnostic lights are not lit after the computer successfully boots to the operating system.	Plug the computer into a working electrical outlet and press the power button.
	A possible BIOS failure has occurred; the computer is in recovery mode.	Run the BIOS Recovery utility, wait for recovery completion, and then restart the computer.
	A possible processor failure has occurred.	Reinstall the processor and restart the computer. For information on reinstalling the processor, see your online <i>User's Guide</i> .

Light Pattern	Problem Description	Suggested Resolution
	Memory modules are detected, but a memory failure has occurred.	<ul style="list-style-type: none"> <li>• If you have one memory module installed, reinstall it and restart the computer. For information on reinstalling memory modules, see your online <i>User's Guide</i>.</li> <li>• If you have two or more memory modules installed, remove the modules, reinstall one module, and then restart the computer. If the computer starts normally, reinstall an additional module. Continue until you have identified a faulty module or reinstalled all modules without error.</li> <li>• If available, install properly working memory of the same type into your computer.</li> <li>• If the problem persists, contact Dell. For information on contacting Dell, see your online <i>User's Guide</i>.</li> </ul>
	A possible graphics card failure has occurred.	<ul style="list-style-type: none"> <li>• If the computer has a graphics card, remove the card, reinstall it, and then restart the computer.</li> <li>• If the problem still exists, install a graphics card that you know works and restart the computer.</li> <li>• If the problem persists or the computer has integrated graphics, contact Dell. For information on contacting Dell, see your online <i>User's Guide</i>.</li> </ul>
	A possible floppy or hard drive failure has occurred.	Reseat all power and data cables and restart the computer.
	A possible USB failure has occurred.	Reinstall all USB devices, check cable connections, and then restart the computer.

Light Pattern	Problem Description	Suggested Resolution
	No memory modules are detected.	<ul style="list-style-type: none"> <li>• If you have one memory module installed, reinstall it and restart the computer. For information on reinstalling memory modules, see your online <i>User's Guide</i>.</li> <li>• If you have two or more memory modules installed, remove the modules, reinstall one module, and then restart the computer. If the computer starts normally, reinstall an additional module. Continue until you have identified a faulty module or reinstalled all modules without error.</li> <li>• If available, install properly working memory of the same type into your computer.</li> <li>• If the problem persists, contact Dell. For information on contacting Dell, see your online <i>User's Guide</i>.</li> </ul>
	Memory modules are detected, but a memory configuration or compatibility error exists.	<ul style="list-style-type: none"> <li>• Ensure that no special memory module/memory connector placement requirements exist.</li> <li>• Verify that the memory modules that you are installing are compatible with your computer.</li> <li>• If the problem persists, contact Dell. For information on contacting Dell, see your online <i>User's Guide</i>.</li> </ul>
	<p>A failure has occurred.</p> <p>This pattern also displays when you enter system setup and may not indicate a problem.</p>	<ul style="list-style-type: none"> <li>• Ensure that the cables are properly connected to the system board from the hard drive, CD drive, and DVD drive.</li> <li>• Check the computer message that appears on your monitor screen.</li> <li>• If the problem persists, contact Dell. For information on contacting Dell, see your online <i>User's Guide</i>.</li> </ul>

## Beep Codes

Your computer might emit a series of beeps during start-up if the monitor cannot display errors or problems. This series of beeps, called a beep code, identifies a problem. One possible beep code (code 1 3-1) consists of one beep, a burst of three beeps, and then one beep. This beep code tells you that the computer encountered a memory problem.

If your computer beeps during start-up:

- 1 Write down the beep code.
- 2 See "Dell Diagnostics" on page 46 to identify a more serious cause.
- 3 Contact Dell for technical assistance. For information on contacting Dell, see your online *User's Guide*.

Code	Cause	Code	Cause
1-1-2	Microprocessor register failure	3-1-4	Slave interrupt mask register failure
1-1-3	NVRAM read/write failure	3-2-2	Interrupt vector loading failure
1-1-4	ROM BIOS checksum failure	3-2-4	Keyboard Controller test failure
1-2-1	Programmable interval timer failure	3-3-1	NVRAM power loss
1-2-2	DMA initialization failure	3-3-2	Invalid NVRAM configuration
1-2-3	DMA page register read/write failure	3-3-4	Video Memory test failure
1-3	Video Memory test failure	3-4-1	Screen initialization failure
1-3-1 through 2-4-4	Memory not being properly identified or used	3-4-2	Screen retrace failure
3-1-1	Slave DMA register failure	3-4-3	Search for video ROM failure
3-1-2	Master DMA register failure	4-2-1	No timer tick
3-1-3	Master interrupt mask register failure	4-2-2	Shutdown failure
4-2-3	Gate A20 failure	4-4-1	Serial or parallel port test failure
4-2-4	Unexpected interrupt in protected mode	4-4-2	Failure to decompress code to shadowed memory
4-3-1	Memory failure above address 0FFFFh	4-4-3	Math-coprocessor test failure
4-3-3	Timer-chip counter 2 failure	4-4-4	Cache test failure
4-3-4	Time-of-day clock stopped		

## Resolving Software and Hardware Incompatibilities

If a device is either not detected during the operating system setup or is detected but incorrectly configured, you can use the Hardware Troubleshooter to resolve the incompatibility.

- 1 Click the **Start** button and click **Help and Support**.
- 2 Type `hardware troubleshooter` in the **Search** field and click the arrow to start the search.

- 3 Click **Hardware Troubleshooter** in the **Search Results** list.
- 4 In the **Hardware Troubleshooter** list, click **I need to resolve a hardware conflict on my computer**, and click **Next**.

## Using Microsoft Windows XP System Restore

The Microsoft Windows XP operating system provides System Restore to allow you to return your computer to an earlier operating state (without affecting data files) if changes to the hardware, software, or other system settings have left the computer in an undesirable operating state. See the Windows Help and Support Center for information on using System Restore. To access the Windows Help and Support Center, see "Windows Help and Support Center" on page 6.



**NOTICE:** Make regular backups of your data files. System Restore does not monitor your data files or recover them.

### Creating a Restore Point

- 1 Click the **Start** button and click **Help and Support**.
- 2 Click **System Restore**.
- 3 Follow the instructions on the screen.

### Restoring the Computer to an Earlier Operating State



**NOTICE:** Before you restore the computer to an earlier operating state, save and close any open files and exit any open programs. Do not alter, open, or delete any files or programs until the system restoration is complete.

- 1 Click the **Start** button, point to **All Programs**→**Accessories**→**System Tools**, and then click **System Restore**.
- 2 Ensure that **Restore my computer to an earlier time** is selected, and click **Next**.
- 3 Click a calendar date to which you want to restore your computer.

The **Select a Restore Point** screen provides a calendar that allows you to see and select restore points. All calendar dates with available restore points appear in boldface type.

- 4 Select a restore point and click **Next**.

If a calendar date has only one restore point, then that restore point is automatically selected. If two or more restore points are available, click the restore point that you prefer.


- 5 Click **Next**.

The **Restoration Complete** screen appears after System Restore finishes collecting data and then the computer restarts.

- 6 After the computer restarts, click **OK**.

To change the restore point, you can either repeat the steps using a different restore point, or you can undo the restoration.

## Undoing the Last System Restore

 **NOTICE:** Before you undo the last system restore, save and close all open files and exit any open programs. Do not alter, open, or delete any files or programs until the system restoration is complete.

- 1 Click the **Start** button, point to **All Programs**→ **Accessories**→ **System Tools**, and then click **System Restore**.
- 2 Click **Undo my last restoration** and click **Next**.
- 3 Click **Next**.

The **System Restore** screen appears and the computer restarts.

- 4 After the computer restarts, click **OK**.


## Enabling System Restore

If you reinstall Windows XP with less than 200 MB of free hard-disk space available, System Restore is automatically disabled. To verify that System Restore is enabled:

- 1 Click the **Start** button and click **Control Panel**.
- 2 Click **Performance and Maintenance**.
- 3 Click **System**.
- 4 Click the **System Restore** tab.
- 5 Ensure that **Turn off System Restore** is unchecked.

## Reinstalling Microsoft Windows XP


### Getting Started

 **NOTE:** The procedures in this document were written for the Windows default view in Windows XP Home Edition, so the steps will differ if you set your Dell computer to the Windows Classic view or are using Windows XP Professional.

If you are considering reinstalling the Windows XP operating system to correct a problem with a newly installed driver, first try using Windows XP Device Driver Rollback.


- 1 Click the **Start** button and click **Control Panel**.
- 2 Under **Pick a Category**, click **Performance and Maintenance**.
- 3 Click **System**.
- 4 In the **System Properties** window, click the **Hardware** tab.
- 5 Click **Device Manager**.
- 6 Right-click the device for which the new driver was installed and click **Properties**.
- 7 Click the **Drivers** tab.
- 8 Click **Roll Back Driver**.

If Device Driver Rollback does not resolve the problem, then use System Restore to return your operating system to the operating state it was in before you installed the new device driver (see "Using Microsoft Windows XP System Restore" on page 54).

 **NOTE:** The *Drivers and Utilities* CD contains drivers that were installed during assembly of the computer. Use the *Drivers and Utilities* CD to load any required drivers, including the drivers required if your computer has a RAID controller.

### Reinstalling Windows XP

 **NOTICE:** You must use Windows XP Service Pack 1 or later when you reinstall Windows XP.


 **NOTICE:** Before performing the installation, back up all data files on your primary hard drive. For conventional hard drive configurations, the primary hard drive is the first drive detected by the computer.


To reinstall Windows XP, you need the following items:

- Dell *Operating System* CD
- Dell *Drivers and Utilities* CD

To reinstall Windows XP, perform all the steps in the following sections in the order in which they are listed.

The reinstallation process can take 1 to 2 hours to complete. After you reinstall the operating system, you must also reinstall the device drivers, virus protection program, and other software.

 **NOTICE:** The *Operating System* CD provides options for reinstalling Windows XP. The options can overwrite files and possibly affect programs installed on your hard drive. Therefore, do not reinstall Windows XP unless a Dell technical support representative instructs you to do so.

 **NOTICE:** To prevent conflicts with Windows XP, disable any virus protection software installed on your computer before you reinstall Windows XP. See the documentation that came with the software for instructions.

### Booting From the Operating System CD

- 1 Save and close any open files and exit any open programs.
- 2 Insert the *Operating System* CD. Click **Exit** if the **Install Windows XP** message appears.
- 3 Restart the computer.
- 4 Press <F12> immediately after the **DELL** logo appears.

If the operating system logo appears, wait until you see the Windows desktop, and then shut down the computer and try again.

- 5 Press the arrow keys to select **CD-ROM**, and press <Enter>.
- 6 When the **Press any key to boot from CD** message appears, press any key.



## Windows XP Setup

- 1 When the **Windows XP Setup** screen appears, press <Enter> to select **To set up Windows now**.
- 2 Read the information on the **Microsoft Windows Licensing Agreement** screen, and press <F8> to accept the license agreement.
- 3 If your computer already has Windows XP installed and you want to recover your current Windows XP data, type **r** to select the repair option, and remove the CD.
- 4 If you want to install a new copy of Windows XP, press <Esc> to select that option.
- 5 Press <Enter> to select the highlighted partition (recommended), and follow the instructions on the screen.

The **Windows XP Setup** screen appears, and the operating system begins to copy files and install the devices. The computer automatically restarts multiple times.



**NOTE:** The time required to complete the setup depends on the size of the hard drive and the speed of your computer.



**NOTICE:** Do not press any key when the following message appears: **Press any key to boot from the CD.**

- 6 When the **Regional and Language Options** screen appears, select the settings for your location and click **Next**.
- 7 Enter your name and organization (optional) in the **Personalize Your Software** screen, and click **Next**.
- 8 At the **Computer Name and Administrator Password** window, enter a name for your computer (or accept the one provided) and a password, and click **Next**.
- 9 If the **Modem Dialing Information** screen appears, enter the requested information and click **Next**.
- 10 Enter the date, time, and time zone in the **Date and Time Settings** window, and click **Next**.
- 11 If the **Networking Settings** screen appears, click **Typical** and click **Next**.
- 12 If you are reinstalling Windows XP Professional and you are prompted to provide further information regarding your network configuration, enter your selections. If you are unsure of your settings, accept the default selections.


Windows XP installs the operating system components and configures the computer. The computer automatically restarts.



**NOTICE:** Do not press any key when the following message appears: **Press any key to boot from the CD.**


- 13 When the **Welcome to Microsoft** screen appears, click **Next**.
- 14 When the **How will this computer connect to the Internet?** message appears, click **Skip**.
- 15 When the **Ready to register with Microsoft?** screen appears, select **No, not at this time** and click **Next**.
- 16 When the **Who will use this computer?** screen appears, you can enter up to five users.
- 17 Click **Next**.

- 18 Click **Finish** to complete the setup, and remove the CD.
- 19 Reinstall the appropriate drivers with the *Drivers and Utilities* CD.
- 20 Reinstall your virus protection software.
- 21 Reinstall your programs.

 **NOTE:** To reinstall and activate your Microsoft Office or Microsoft Works Suite programs, you need the Product Key number located on the back of the Microsoft Office or Microsoft Works Suite CD sleeve.

## Using the Drivers and Utilities CD

To use the *Drivers and Utilities* CD (*ResourceCD*) while you are running the Windows operating system.

 **NOTE:** To access device drivers and user documentation, you must use the *Drivers and Utilities* CD while you are running Windows.

- 1 Turn on the computer and allow it to boot to the Windows desktop.
- 2 Insert the *Drivers and Utilities* CD into the CD drive.

If you are using the *Drivers and Utilities* CD for the first time on this computer, the **ResourceCD Installation** window opens to inform you that the *Drivers and Utilities* CD is about to begin installation.

- 3 Click **OK** to continue.

To complete the installation, respond to the prompts offered by the installation program.

- 4 Click **Next** at the **Welcome Dell System Owner** screen.

Select the appropriate **System Model**, **Operating System**, **Device Type**, and **Topic**.

### Drivers for Your Computer

To display a list of device drivers for your computer:

- 1 Click **My Drivers** in the **Topic** drop-down menu.

The *Drivers and Utilities* CD (optional) scans your computer's hardware and operating system, and then a list of device drivers for your system configuration is displayed on the screen.

- 2 Click the appropriate driver and follow the instructions to download the driver to your computer.

To view all available drivers for your computer, click **Drivers** from the **Topic** drop-down menu.

# Index

## B

beep codes, 52

## C

CDs

operating system, 6

conflicts

software and hardware  
incompatibilities, 53

cover

removing, 24

## D

Dell Diagnostics, 46

Dell support site, 7

diagnostics

beep codes, 52

Dell Diagnostics, 46

documentation

End User License  
Agreement, 6

ergonomics, 6

online, 7

Product Information Guide, 6

regulatory, 6

safety, 6

User's Guide, 5

warranty, 6

drivers

list of, 58

Drivers and Utilities CD, 5

## E

End User License

Agreement, 6

ergonomics information, 6

error messages

beep codes, 52

diagnostic lights, 50

system lights, 49

## H

hardware

beep codes, 52

conflicts, 53

Dell Diagnostics, 46

Hardware Troubleshooter, 53

Help and Support Center, 6

help file

Windows Help and Support  
Center, 6

## I

installing parts

before you begin, 25

IRQ conflicts, 53

## L

labels

Microsoft Windows, 7

Service Tag, 7

lights

diagnostic, 50

power, 14, 18

system, 49

## M

motherboard. *See* system  
board

## O

operating system

reinstalling, 6

reinstalling Windows XP, 55

Operating System CD, 6

## P

power

light, 14, 18

power light

diagnosing problems with, 49

problems. *See troubleshooting*

Product Information Guide, 6

## **R**

regulatory information, 6  
reinstalling  
    Windows XP, 55

## **S**

safety instructions, 6  
Service Tag, 7  
software  
    conflicts, 53  
support website, 7  
system board, 33, 36, 42  
System Restore, 54

## **T**

troubleshooting  
    beep codes, 52  
    conflicts, 53  
    Dell Diagnostics, 46  
    diagnostic lights, 50  
    Hardware Troubleshooter, 53  
    Help and Support Center, 6  
    restore computer to previous  
        operating state, 54  
    system lights, 49

## **U**

User's Guide, 5

## **W**

warranty information, 6  
Windows XP  
    Hardware Troubleshooter, 53  
    Help and Support Center, 6  
    reinstalling, 6, 55  
    setup, 57  
    System Restore, 54

Dell™ OptiPlex™ 745

# 快速参考指南

型号 DCTR、DCNE、DCSM 和 DCCY

[www.dell.com](http://www.dell.com) | [support.dell.com](http://support.dell.com)

## 注、注意和警告



**注：**“注”表示可以帮助您更好地使用计算机的重要信息。



**注意：**“注”意表示对于硬件的潜在损坏或数据丢失，并且告诉您如何避免此类问题。



**警告：**“警告”表示可能导致财产损失、人身伤害或死亡的潜在危险。

如果您购买了 Dell™ n 系列计算机，本说明文件中的任何有关 Microsoft® Windows® 操作系统的参考都将不适用。

---

本说明文件中的信息如有更改，恕不另行通知。

© 2006 Dell Inc. 版权所有，翻印必究。

未经 Dell Inc. 书面许可，严禁以任何方式进行复制。

本文件中使用的商标：*Dell*、*DELL* 徽标、*Inspiron*、*Dell Precision*、*Dimension*、*OptiPlex*、*Latitude*、*PowerEdge*、*PowerVault*、*PowerApp* 和 *Dell OpenManage* 是 Dell Inc. 的商标；*Intel*、*Pentium* 和 *Celeron* 是 Intel Corporation 的注册商标；*Microsoft* 和 *Windows* 是 Microsoft Corporation 的注册商标。

本说明文件中提及的其它商标和商品名称是指拥有相应标记和名称的公司或其制造的产品。Dell Inc. 对不属于自己的商标和商品名称不拥有任何所有权。

型号 DCTR、DCNE、DCSM 和 DCCY

2006 年 8 月

P/N FH895

修订版 A00


# 目录


<b>查找信息</b> . . . . .	<b>65</b>
<b>系统视图</b> . . . . .	<b>68</b>
小型塔式机箱计算机 — 正面视图 . . . . .	68
小型塔式机箱计算机 — 背面视图 . . . . .	70
小型塔式机箱计算机 — 背面板连接器 . . . . .	71
台式计算机 — 正面视图 . . . . .	72
台式计算机 — 背面视图 . . . . .	74
台式计算机 — 背面板连接器 . . . . .	74
小型计算机 — 正面视图 . . . . .	76
小型计算机 — 背面视图 . . . . .	77
小型计算机 — 背面板连接器 . . . . .	78
超小型计算机 — 正面视图 . . . . .	79
超小型计算机 — 侧面视图 . . . . .	81
超小型计算机 — 背面视图 . . . . .	81
超小型计算机 — 背面板连接器 . . . . .	82
<b>卸下主机盖</b> . . . . .	<b>83</b>
开始之前 . . . . .	83
小型塔式机箱计算机 . . . . .	84
台式计算机 . . . . .	85
小型计算机 . . . . .	86
超小型计算机 . . . . .	87
<b>计算机内部组件</b> . . . . .	<b>89</b>
小型塔式机箱计算机 . . . . .	89
台式计算机 . . . . .	92
小型计算机 . . . . .	95
超小型计算机 . . . . .	98
<b>安装计算机</b> . . . . .	<b>100</b>
安装键盘和鼠标 . . . . .	101
安装显示器 . . . . .	102
电源连接 . . . . .	102
<b>解决问题</b> . . . . .	<b>103</b>
Dell 诊断程序 . . . . .	103
系统指示灯 . . . . .	105

诊断指示灯 . . . . .	106
哔声代码 . . . . .	108
解决硬件不兼容问题 . . . . .	110
使用 Microsoft Windows XP 系统还原 . . . . .	110
重新安装 Microsoft Windows XP . . . . .	111
<b>使用 Drivers and Utilities CD . . . . .</b>	<b>114</b>
用于您计算机的驱动程序 . . . . .	114
索引 . . . . .	115



## 查找信息

 **注：**一些功能或介质可能为可选项，并且可能不会随您的计算机提供。一些功能或介质对于您的计算机或在某些国家或地区可能不适用。

 **注：**附加信息可能随计算机提供。

### 要查找的内容

- 适用于我计算机的诊断程序
- 适用于我计算机的驱动程序
- 我计算机的说明文件
- 我设备的说明文件
- 台式机系统软件（DSS）

### 在此处查找

#### Drivers and Utilities CD (ResourceCD)

**注：***Drivers and Utilities* CD 可能为可选项，并且可能不会随您的计算机提供。

您的计算机已经安装了说明文件和驱动程序。您可以使用 CD 来重新安装驱动程序（请参阅在第 114 页上的“使用 Drivers and Utilities CD”），运行 Dell Diagnostics（请参阅在第 103 页上的“Dell 诊断程序”），或访问您的说明文件。



您的 CD 可能包含自述文件，这些文件提供有关计算机技术更改的最新更新，或为技术人员或有经验的用户提供高级技术参考资料。

**注：**驱动程序和说明文件更新可在 [support.dell.com](http://support.dell.com) 获得。

- 如何卸下和装回部件
- 规格
- 如何配置系统设置
- 如何查找及排除故障并解决问题

#### Dell™ OptiPlex™ 用户指南

Microsoft Windows XP 帮助和支持中心

- 1 单击 Start（开始）→ Help and Support（帮助和支持）→ Dell User and System Guides（Dell 用户和系统指南）→ System Guides（系统指南）。
- 2 单击适用于您计算机的 *User's Guide*（用户指南）。

《用户指南》也可从可选的 *Drivers and Utilities* CD 中获得。

---

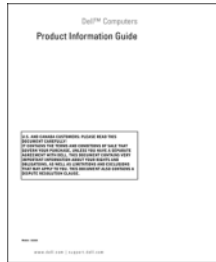
## 要查找的内容

- 担保信息
- 条款和条件（仅限于美国）
- 安全说明
- 管制信息
- 人机工程学信息
- 最终用户许可协议

---

## 在此处查找

### Dell™ 《产品信息指南》



- 
- 如何重新安装操作系统

### Operating System CD（操作系统 CD）

**注：***Operating System CD*（操作系统 CD）可能为可选项，并且可能不会随您的计算机提供。

您的计算机上已经安装了操作系统。要重新安装操作系统，请使用 *Operating System CD*（操作系统 CD）（请参阅在第 111 页上的“重新安装 Microsoft Windows XP”）。



在重新安装了您的操作系统之后，请使用选项 *Drivers and Utilities CD*

*(ResourceCD)* 为计算机附带的设备重新安装驱动程序。有关详细信息，请参阅在第 65 页上的“Drivers

and Utilities CD (ResourceCD)”。

您的操作系统产品密钥标签位于您的计算机上（请参阅在第 67 页上的“服务标签和 Microsoft® Windows® 产品密钥”）。

**注：**您 *Operating System CD*（操作系统 CD）的颜色根据您所订购的操作系统而不同。

- 
- 如何使用 Windows XP
  - 如何使用程序和文件
  - 如何使我的桌面个性化

### Windows 帮助和支持中心

- 1 单击 **Start**（开始）→ **Help and Support**（帮助和支持）。
- 2 键入说明问题的字或短语，并单击箭头图标。
- 3 单击说明问题的主题。
- 4 遵循屏幕上的说明操作。

---

## 要查找的内容

- 服务标签和快速服务代码
- Microsoft Windows 产品密钥标签

## 在此处查找

### 服务标签和 Microsoft® Windows® 产品密钥

这些标签位于您的计算机上。

- 当您使用 [support.dell.com](http://support.dell.com) 或联系支持部门时，请使用“服务标签”来识别您的计算机。



- 当联系支持部门时，请输入“快速服务代码”来导向您的呼叫。

- 
- 解决方案 — 故障排除提示和技巧、技术人员的文章、在线课程和常见问题
  - 团体 — 与其他 Dell 客户进行在线讨论
  - 升级 — 对于组件，例如内存、硬盘驱动器和操作系统的升级信息
  - 客户服务中心 — 联系信息、服务呼叫、订购状态、担保和维修信息
  - 服务与支持 — 服务呼叫状态、支持历史、服务合同及带有支持的在线讨论
  - 参考 — 计算机说明文件、有关计算机配置的详情、产品规格和白皮书
  - 下载 — 经过认证的驱动程序、增补软件和软件更新
  - 台式机系统软件 (DSS) — 如果在您的计算机上重新安装了操作系统，您还应该重新安装 DSS 公用程序。DSS 自动检测计算机和操作系统，并安装与您配置相应的更新，提供了对于您操作系统的重要更新，及对 Dell™ 3.5-英寸 USB 软盘驱动器、Intel® 处理器、光盘驱动器和 USB 设备的支持。DSS 是正确操作 Dell 计算机所必需的。

### Dell 支持 Web 站点 — [support.dell.com](http://support.dell.com)

**注：**选择您的区域或业务分段以查看相应的支持站点。

要下载台式机系统软件：

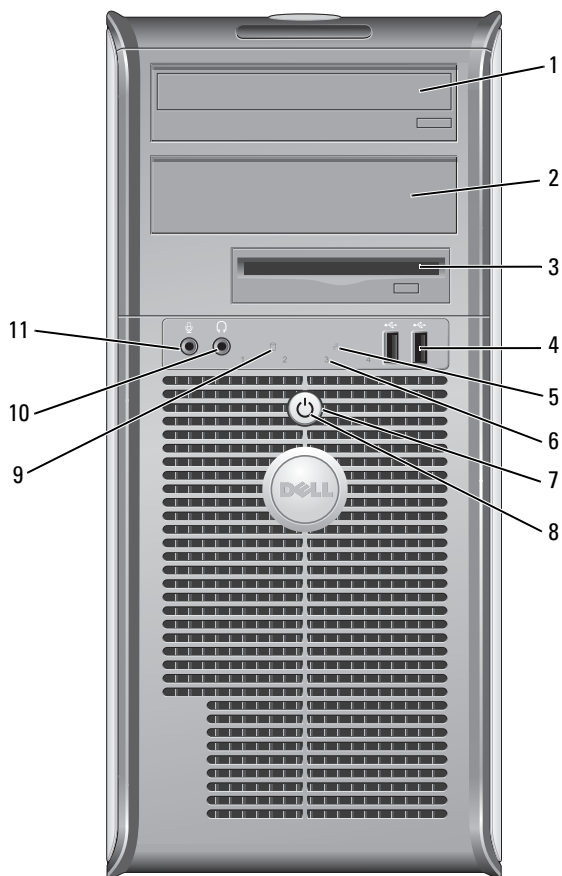
- 1 访问 [support.dell.com](http://support.dell.com)，选择您的地区或业务分段，然后输入您的“服务标签”。
- 2 选择 **Drivers & Downloads**（驱动程序和下载），然后单击 **Go**。
- 3 单击您的操作系统，然后搜索关键字 *Desktop System Software*（台式机系统软件）。

**注：**[support.dell.com](http://support.dell.com) 用户界面随您的选择而不同。

---

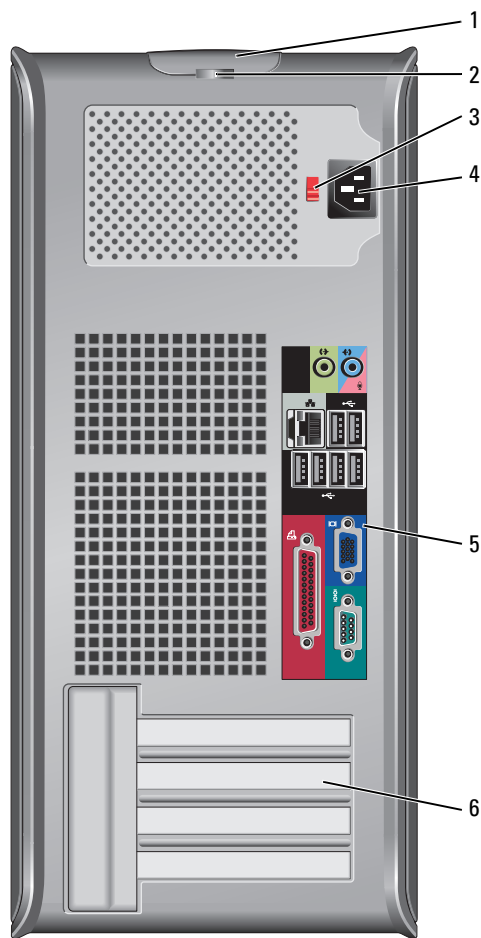
# 系统视图

## 小型塔式机箱计算机 — 正面视图



- |    |                  |   |
|----|------------------|---|
| 1  | 5.25 英寸驱动器托架     | 可能包含光盘驱动器。将 CD 或 DVD（如果被支持）插入此驱动器。  |
| 2  | 5.25 英寸驱动器托架     | 可能包含光盘驱动器。将 CD 或 DVD（如果被支持）插入此驱动器。  |
| 3  | 3.5 英寸驱动器托架      | 可能包含可选的软盘驱动器或可选的介质卡阅读器。   |
| 4  | USB 2.0 连接器（2 个） | <p>对于偶尔连接的设备，请使用计算机前部的 USB 连接器，例如游戏杆或照像机，或用于可引导的 USB 设备（请参阅您的在线《用户指南》以得到关于引导至 USB 设备的详细信息）。</p> <p>对于通常保持连接的设备如打印机和键盘，建议使用计算机背部的 USB 连接器。</p>   |
| 5  | LAN 指示灯          | 此指示灯表示已建立了 LAN（局域网）连接。  |
| 6  | 诊断指示灯            | 使用这些指示灯来帮助您基于诊断代码查找及排除计算机问题。有关详细信息，请参阅在第 106 页上的“诊断指示灯”。  |
| 7  | 电源按钮             | <p>按此按钮开启计算机的电源。</p> <p> <b>注意：</b>为避免丢失数据，请勿通过按电源按钮来关闭计算机，而是应执行操作系统的关闭操作。有关详细信息，请参阅在第 83 页上的“开始之前”。</p> <p> <b>注意：</b>如果操作系统已启用 ACPI，当按电源按钮时，计算机将执行操作系统的关闭操作。</p>                        |
| 8  | 电源指示灯            | <p>电源指示灯亮起并闪烁或稳定亮起以指示不同的操作模式：</p> <ul style="list-style-type: none"> <li>• 无光亮 — 计算机处于关闭状态。</li> <li>• 稳定绿光 — 计算机处于正常运行状态。</li> <li>• 闪烁绿光 — 计算机处于省电模式。</li> <li>• 闪烁或稳定的琥珀色光 — 请参阅您的在线《用户指南》。</li> </ul> <p>如果在 Windows 设备管理器中配置为唤醒设备时要退出省电模式，可按电源按钮，或使用键盘或鼠标。有关休眠模式和退出省电模式的详细信息，请参阅您的在线《用户指南》。</p> <p>有关可帮助您查找及排除计算机问题的指示灯代码的说明，请参阅在第 105 页上的“系统指示灯”。</p> |
| 9  | 硬盘驱动器活动指示灯       | 当硬盘驱动器正在被访问时，此指示灯会闪烁。   |
| 10 | 耳机连接器            | 使用耳机连接器连接耳机和大多数种类的扬声器。  |
| 11 | 麦克风连接器           | 使用麦克风连接器连接麦克风。  |

## 小型塔式机箱计算机 — 背面视图



- 1 盖板释放门锁
- 2 挂锁扣环
- 3 电压选择开关

此门锁允许您打开主机盖。

插入一个挂锁以锁定主机盖。

您的计算机备有手动电压选择开关。

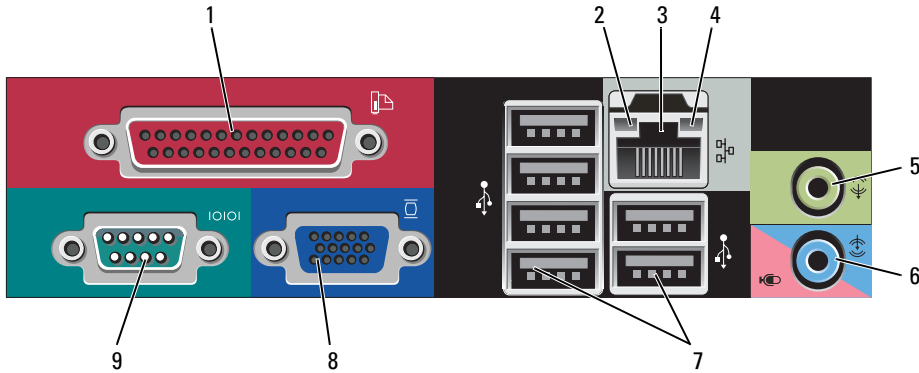
为避免损坏带有手动电压选择开关的计算机，请将开关设置为最接近当地使用的交流电源的电压。

**注意：**虽然日本可用的交流电压为 100V，但必须将电压选择开关设置在 115V 位置。

此外，请确保显示器以及其它已连接设备的额定电压与您所在地区提供的交流电源电压相匹配。

- 4 电源连接器 插入电源电缆。
- 5 背面板连接器 将串行、USB 和其它设备插入相应的连接器（请参阅在第 71 页上的“小型塔式机箱计算机 — 背面板连接器”）。
- 6 卡插槽 用于任何已安装的 PCI 和 PCI Ex 卡的连接器。

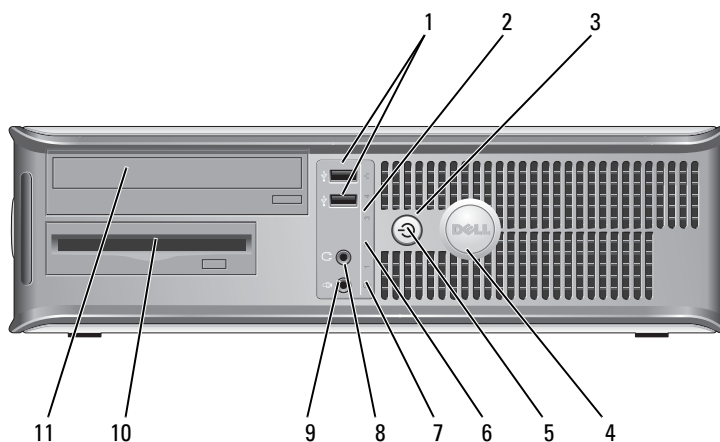
## 小型塔式机箱计算机 — 背面板连接器



- 1 并行连接器 将打印机等并行设备连接至并行连接器。如果您有 USB 打印机，请将其缆线插入 USB 连接器中。  
**注：**如果计算机检测到一块已安装并带有并行连接器的插卡，并且此连接器被配置为同一地址，则会禁用集成并行连接器。有关详细信息，请参阅您的在线《用户指南》。
- 2 链路完整性指示灯
  - 绿色 — 10Mbps 网络和计算机之间存在良好连接。
  - 橙色 — 100Mbps 网络和计算机之间存在良好连接。
  - 黄色 — 1Gbps（或 1000Mbps）网络和计算机之间存在良好连接。
  - 熄灭 — 计算机未检测到与网络的物理连接。
- 3 网络适配器连接器 要将计算机连接到某一网络或宽带设备，请将网络电缆的一端连接到网络插孔或您的网络或宽带设备。将网络电缆的另一端连接到计算机背面板上的网络适配器连接器。咔嚓声指示网络电缆已稳固连接。  
**注：**请勿将电话电缆插入网络连接器的。  
对于备有网络连接器卡的计算机，请使用卡上的连接器。  
建议在网络中使用类别 5 配线和连接器。如果必须使用类别 3 配线，则应将网络速度强行控制在 10 Mbps 以确保可靠运行。
- 4 网络活动指示灯 在计算机传送或接收网络数据时会闪烁一个黄色指示灯。网络通信量较大时，此指示灯看起来可能会处于持续“亮起”的状态。
- 5 输出连接器 使用绿色输出连接器连接大多数种类的扬声器和集成放大器。



- 6 输入 / 麦克风连接器 使用蓝色和粉色输入 / 麦克风连接器连接录音 / 播放设备，例如磁带播放机、CD 播放器或磁带录像机；或用于将声音或音乐输入至声音或电话程序的个人计算机麦克风。
- 7 USB 2.0 连接器 (6 个) 对于通常保持连接的设备如打印机和键盘，请使用计算机背部的 USB 连接器。
- 8 视频连接器 将 VGA 兼容的显示器上的电缆插入蓝色连接器中。  
**注：**如果您购买了可选图形卡，则此连接器上将有一个护盖。将显示器连接到图形卡上的连接器。请勿卸下此护盖。  
**注：**如果使用支持双显示器的图形卡，请使用计算机随附的 Y 型电缆。
- 9 串行连接器 将掌上设备等串行设备连接至串行端口。默认的指定值为：COM1 用于串行连接器 1，COM2 用于串行连接器 2。  
有关详细信息，请参阅您的在线《用户指南》。

## 台式计算机 — 正面视图

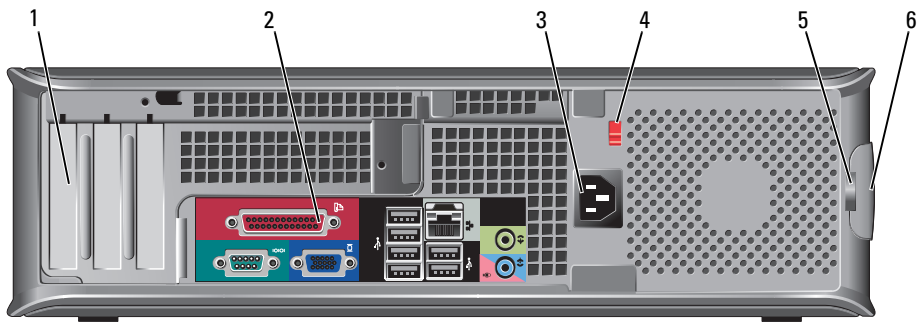


- 1 USB 2.0 连接器 (2 个) 对于偶尔连接的设备，请使用计算机前部的 USB 连接器，例如游戏杆或照像机，或用于可引导的 USB 设备（请参阅您的在线《用户指南》以得到关于引导至 USB 设备的详细信息）  
对于通常保持连接的设备如打印机和键盘，建议使用计算机背部的 USB 连接器。
- 2 LAN 指示灯 此指示灯表示已建立了 LAN（局域网）连接。



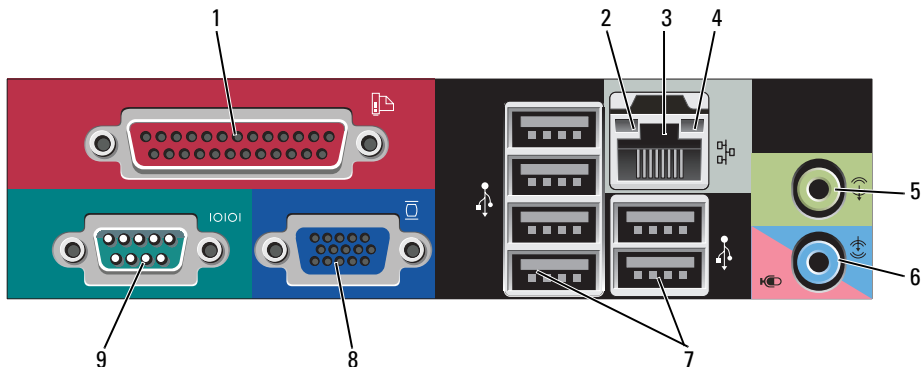
- 3 电源按钮 按此按钮开启计算机的电源。
-  **注意：**为避免丢失数据，请勿通过按电源按钮来关闭计算机，而是应执行操作系统的关闭操作。有关详细信息，请参阅在第 83 页上的“开始之前”。
-  **注意：**如果操作系统已启用 ACPI，当按电源按钮时，计算机将执行操作系统的关闭操作。
- 4 Dell 徽章 可以旋转该徽章来使其与计算机的方向匹配。若要旋转，请将手指放在徽章四周，紧实地按压并转动徽章。也可以使用徽章底部附近提供的槽口来旋转徽章。
- 5 电源指示灯 电源指示灯亮起并闪烁或稳定亮起以指示不同的运行状态：
- 无光亮 — 计算机处于关闭状态。
  - 稳定绿光 — 计算机处于正常运行状态。
  - 闪烁绿光 — 计算机处于省电模式。
  - 闪烁或稳定的琥珀色光 — 请参阅您的在线《用户指南》。
- 如果在 Windows 设备管理器中配置为唤醒设备时要退出省电模式，可按电源按钮，或使用键盘或鼠标。有关休眠模式和退出省电模式的详细信息，请参阅您的在线《用户指南》。
- 有关可帮助您查找及排除计算机问题的指示灯代码的说明，请参阅在第 105 页上的“系统指示灯”。
- 6 诊断指示灯 使用这些指示灯来帮助您根据诊断代码查找及排除计算机问题。有关详细信息，请参阅在第 106 页上的“诊断指示灯”。
- 7 硬盘驱动器活动指示灯 当硬盘驱动器正在被访问时，此指示灯会闪烁。
- 8 耳机连接器 使用耳机连接器连接耳机和大多数种类的扬声器。
- 9 麦克风连接器 使用麦克风连接器连接麦克风。
- 10 3.5 英寸驱动器托架 可能包含可选的软盘驱动器或可选的介质卡阅读器。
- 11 5.25 英寸驱动器托架 可能包含光盘驱动器。将 CD 或 DVD（如果被支持）插入此驱动器。

## 台式计算机 — 背面视图



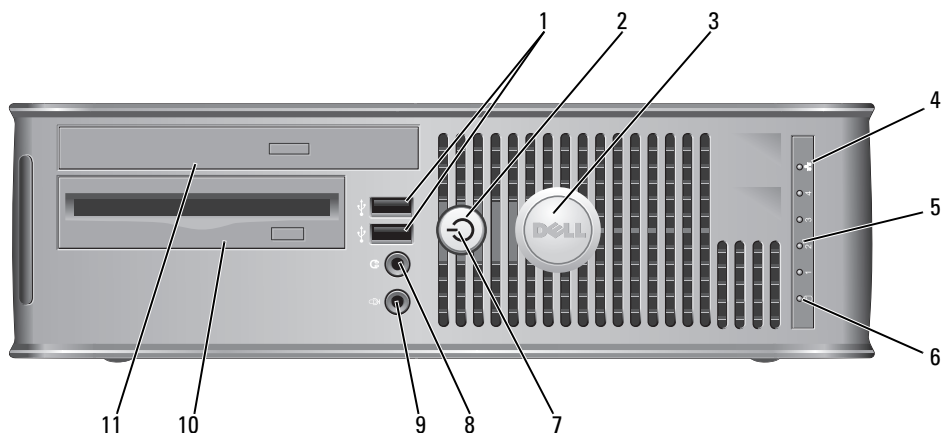
- 1 卡插槽 用于任何已安装的 PCI 和 PCI Express 卡的连接器。
- 2 背面板连接器 将串行、USB 和其它设备插入相应的连接器（请参阅在第 74 页上的“台式计算机 — 背面板连接器”）。
- 3 电源连接器 插入电源电缆。
- 4 电压选择开关 您的计算机备有手动电压选择开关。  
为帮助避免损坏带有手动电压选择开关的计算机，请将开关设置为最接近当地使用的交流电源的电压。  
**注意：**虽然日本可用的交流电压为 100V，但必须将电压选择开关设置在 115V 位置。  
此外，请确保显示器以及其它已连接设备的额定电压与您所在地区提供的交流电源电压相匹配。
- 5 挂锁扣环 插入一个挂锁以锁定主机盖。
- 6 盖板释放闩锁 此闩锁允许您打开主机盖。

## 台式计算机 — 背面板连接器



- |   |                      |  |
|---|----------------------|--|
| 1 | 并行连接器                | <p>将打印机等并行设备连接至并行连接器。如果您有 USB 打印机，请将其缆线插入 USB 连接器中。</p> <p><b>注：</b>如果计算机检测到一块已安装并带有并行连接器的插卡，并且此连接器被配置为同一地址，则会禁用集成并行连接器。有关详细信息，请参阅您的在线《用户指南》。</p>  |
| 2 | 链路完整性指示灯             | <ul style="list-style-type: none"> <li>• 绿色 — 10Mbps 网络和计算机之间存在良好连接。</li> <li>• 橙色 — 100Mbps 网络和计算机之间存在良好连接。</li> <li>• 黄色 — 1Gbps（或 1000Mbps）网络和计算机之间存在良好连接。</li> <li>• 熄灭 — 计算机未检测到与网络的物理连接。</li> </ul>                                |
| 3 | 网络适配器连接器             | <p>要将计算机连接到某一网络或宽带设备，请将网络电缆的一端连接到网络插孔或您的网络或宽带设备。将网络电缆的另一端连接到计算机背面板上的网络适配器连接器。咔嚓声指示网络电缆已稳固连接。</p> <p><b>注：</b>请勿将电话电缆插入网络连接器。</p> <p>对于备有网络连接器卡的计算机，请使用卡上的连接器。</p> <p>建议在网络中使用类别 5 配线和连接器。如果必须使用类别 3 配线，则应将网络速度强行控制在 10 Mbps 以确保可靠运行。</p> |
| 4 | 网络活动指示灯              | <p>在计算机传送或接收网络数据时会闪烁一个黄色指示灯。网络通信量较大时，此指示灯看起来可能会处于持续“亮起”的状态。</p>  |
| 5 | 输出连接器                | <p>使用绿色输出连接器连接大多数种类的扬声器和集成放大器。</p>   |
| 6 | 输入 / 麦克风连接器          | <p>使用蓝色和粉色输入 / 麦克风连接器连接录音 / 播放设备，例如磁带播放机、CD 播放器或磁带录像；或用于将声音或音乐输入至声音或电话程序的个人计算机麦克风。</p>   |
| 7 | USB 2.0 连接器<br>(6 个) | <p>对于通常保持连接的设备如打印机和键盘，请使用计算机背部的 USB 连接器。</p>   |
| 8 | 视频连接器                | <p>将与 VGA 兼容显示器上的电缆插入蓝色连接器中。</p> <p><b>注：</b>如果您购买了可选图形卡，则此连接器上将有一个护盖。将显示器连接到图形卡上的连接器。请勿卸下此护盖。</p> <p><b>注：</b>如果使用支持双显示器的图形卡，请使用计算机随附的 Y 型电缆。</p>   |
| 9 | 串行连接器                | <p>将掌上设备等串行设备连接至串行端口。默认的指定值为：COM1 用于串行连接器 1，COM2 用于串行连接器 2。</p> <p>有关详细信息，请参阅您的在线《用户指南》。</p>   |

## 小型计算机 — 正面视图



- 1 USB 2.0 连接器 (2 个)** 对于偶尔连接的设备, 请使用计算机前部的 USB 连接器, 例如游戏杆或照像机, 或用于可引导的 USB 设备 (请参阅您的在线《用户指南》以获得关于引导至 USB 设备的详细信息)  
对于通常保持连接的设备如打印机和键盘, 建议使用计算机背部的 USB 连接器。
- 2 电源按钮** 按此按钮开启计算机的电源。  
**注意:** 为避免丢失数据, 请勿通过按电源按钮来关闭计算机, 而是应执行操作系统的关闭操作。有关详细信息, 请参阅在第 83 页上的“开始之前”。  
**注意:** 如果操作系统已启用 ACPI, 当按电源按钮时, 计算机将执行操作系统的关闭操作。
- 3 Dell 徽章** 可以旋转该徽章来使其与计算机的方向匹配。若要旋转, 请将手指放在徽章四周, 紧实地按压并转动徽章。也可以使用徽章底部附近提供的槽口来旋转徽章。
- 4 LAN 指示灯** 此指示灯表示已建立了 LAN (局域网) 连接。
- 5 诊断指示灯** 使用这些指示灯来帮助您根据诊断代码查找及排除计算机问题。有关详细信息, 请参阅在第 106 页上的“诊断指示灯”。
- 6 硬盘驱动器活动指示灯** 当硬盘驱动器正在被访问时, 此指示灯会闪烁。

7 电源指示灯

电源指示灯亮起并闪烁或稳定亮起以指示不同的运行状态：

- 无光亮 — 计算机处于关闭状态。
- 稳定绿光 — 计算机处于正常运行状态。
- 闪烁绿光 — 计算机处于省电模式。
- 闪烁或稳定的琥珀色光 — 请参阅您的在线《用户指南》。

如果在 Windows 设备管理器中配置为唤醒设备时要退出省电模式，可按电源按钮，或使用键盘或鼠标。有关休眠模式和退出省电模式的详细信息，请参阅您的在线《用户指南》。

有关电池使用时间的详情，请参阅在第 105 页上的“系统指示灯”以得到有关可帮助您排除计算机故障问题的指示灯代码说明。

8 耳机连接器

使用耳机连接器连接耳机和大多数种类的扬声器。

9 麦克风连接器

使用麦克风连接器连接麦克风。

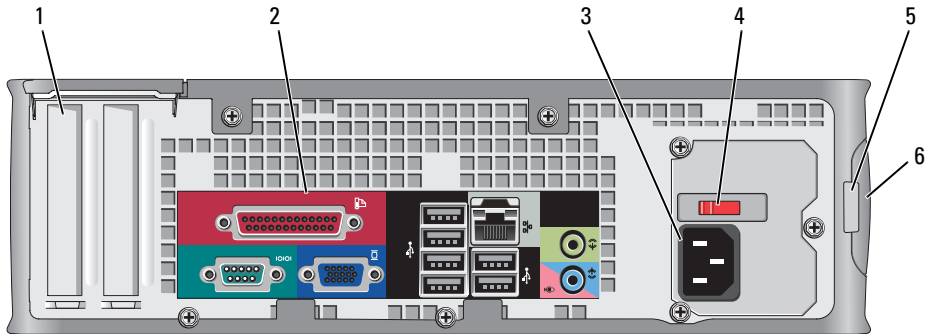
10 3.5 英寸驱动器托架

可能包含可选的软盘驱动器或可选的介质卡阅读器。

11 5.25 英寸驱动器托架

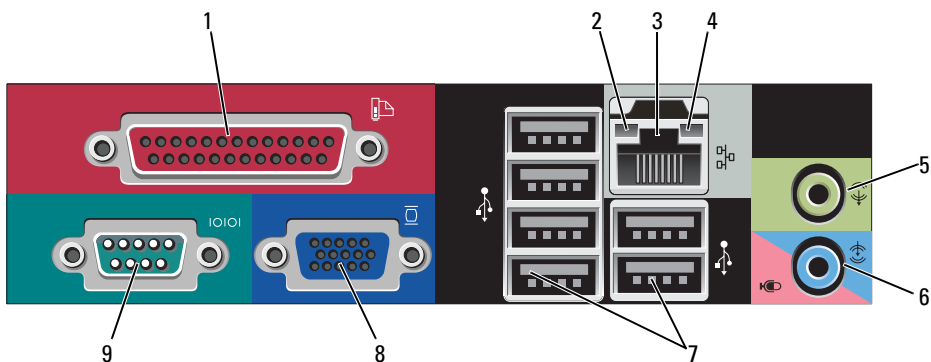
可能包含光盘驱动器。将 CD 或 DVD（如果被支持）插入此驱动器。

## 小型计算机 — 背面视图



- |   |         |  |
|---|---------|--|
| 1 | 卡插槽     | 用于任何已安装的 PCI 和 PCI Express 卡的连接器。  |
| 2 | 背面板连接器  | 将串行、USB 和其它设备插入相应的连接器（请参阅在第 78 页上的“小型计算机 — 背面板连接器”）。   |
| 3 | 电源连接器   | 插入电源电缆。  |
| 4 | 电压选择开关  | 您的计算机备有手动电压选择开关。<br>为帮助避免损坏带有手动电压选择开关的计算机，请将开关设置为最接近当地使用的交流电源的电压。<br><b>➡ 注意：</b> 虽然日本可用的交流电压为 100V，但必须将电压选择开关设置在 115V 位置。<br>此外，请确保显示器以及其它已连接设备的额定电压与您所在地区提供的交流电源电压相匹配。 |
| 5 | 挂锁扣环    | 插入一个挂锁以锁定主机盖。  |
| 6 | 主机盖释放闩锁 | 此闩锁允许您打开主机盖。   |

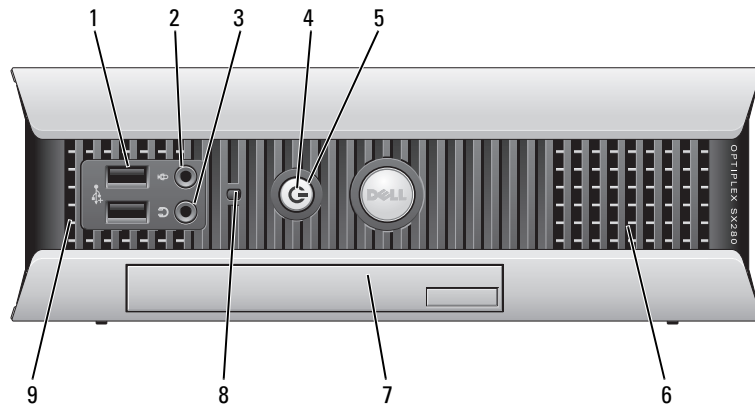
## 小型计算机 — 背面板连接器




- |   |          |   |
|---|----------|---|
| 1 | 并行连接器    | 将打印机等并行设备连接至并行连接器。如果您有 USB 打印机，请将其缆线插入 USB 连接器中。<br><b>注：</b> 如果计算机检测到一块已安装并带有并行连接器的插卡，并且此连接器被配置为同一地址，则会自动禁用集成并行连接器。有关详细信息，请参阅您的在线《用户指南》。   |
| 2 | 链路完整性指示灯 | <ul style="list-style-type: none"> <li>• 绿色 — 10Mbps 网络和计算机之间存在良好连接。</li> <li>• 橙色 — 100Mbps 网络和计算机之间存在良好连接。</li> <li>• 黄色 — 1Gbps（或 1000Mbps）网络和计算机之间存在良好连接。</li> <li>• 熄灭 — 计算机未检测到与网络的物理连接。</li> </ul> |

- |   |                  |  |
|---|------------------|--|
| 3 | 网络适配器连接器         | <p>要将计算机连接到某一网络或宽带设备，请将网络电缆的一端连接到网络插孔或您的网络或宽带设备。将网络电缆的另一端连接到计算机背面板上的网络适配器连接器。咔嗒声指示网络电缆已稳固连接。</p> <p><b>注：请勿将电话电缆插入网络连接器。</b></p> <p>对于备有网络连接器卡的计算机，请使用卡上的连接器。</p> <p>建议在网络中使用类别 5 配线和连接器。如果必须使用类别 3 配线，则应将网络速度强行控制在 10 Mbps 以确保可靠运行。</p> |
| 4 | 网络活动指示灯          | <p>在计算机传送或接收网络数据时会闪烁一个黄色指示灯。网络通信量较大时，此指示灯看起来可能会处于持续“亮起”的状态。</p>  |
| 5 | 输出连接器            | <p>使用绿色输出连接器（在带有集成音频的计算机上备有）连接大多数种类的扬声器和集成放大器。</p>   |
| 6 | 输入 / 麦克风连接器      | <p>使用蓝色和粉色输入 / 麦克风连接器（在带有集成音频的计算机上备有）连接录音 / 播放设备，例如磁带播放机、CD 播放器或磁带录像机；或用于将声音或音乐输入至声音或电话程序的个人计算机麦克风。</p>  |
| 7 | USB 2.0 连接器（6 个） | <p>对于通常保持连接的设备如打印机和键盘，请使用计算机背部的 USB 连接器。</p>   |
| 8 | 视频连接器            | <p>将与 VGA 兼容显示器上的电缆插入蓝色连接器中。</p> <p><b>注：如果您购买了可选图形卡，则此连接器上将有一个护盖。将显示器连接到图形卡上的连接器。请勿卸下此护盖。</b></p> <p><b>注：如果使用支持双显示器的图形卡，请使用计算机随附的 Y 型电缆。</b></p>   |
| 9 | 串行连接器            | <p>将掌上设备等串行设备连接至串行端口。默认的指定值为：COM1 用于串行连接器 1，COM2 用于串行连接器 2。</p> <p>有关详细信息，请参阅您的在线《用户指南》。</p>   |

## 超小型计算机 — 正面视图

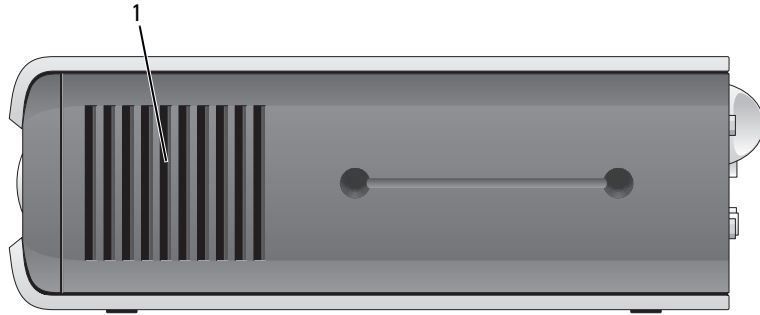


- 1 USB 连接器 (2 个) 对于偶尔连接的设备, 请使用计算机前部的 USB 连接器, 例如游戏杆或照像机, 或用于可引导的 USB 设备 (请参阅您的在线《用户指南》以得到关于引导至 USB 设备的详细信息)。对于通常保持连接的设备如打印机和键盘, 建议使用计算机背部的 USB 连接器。
- 2 耳机连接器 使用耳机连接器连接耳机和大多数种类的扬声器。
- 3 麦克风连接器 使用麦克风连接器连接麦克风。
- 4 硬盘驱动器指示灯 电源指示灯会亮起、闪烁或保持稳定以指示不同的状态:
  - 无光亮 — 计算机处于关闭状态。
  - 稳定绿光 — 计算机处于正常运行状态。
  - 闪烁绿光 — 计算机处于省电模式。
  - 闪烁或稳定的黄色光 — 请参阅您的在线《用户指南》。如果在 Windows 设备管理器中配置为唤醒设备时要退出省电模式, 可按电源按钮, 或使用键盘或鼠标。有关休眠模式和退出省电模式的详细信息, 请参阅您的在线《用户指南》。有关可帮助您查找及排除计算机问题的指示灯代码的说明, 请参阅在第 105 页上的“系统指示灯”。
- 5 电源按钮 按此按钮开启计算机的电源。

 **注意:** 为避免丢失数据, 请勿通过按电源按钮来关闭计算机, 而是应执行操作系统的关闭操作。有关详细信息, 请参阅在第 83 页上的“开始之前”。
- 6 通风孔 通风孔有助于防止您的计算机过热。为确保良好通风, 请勿阻塞这些冷却通风孔。
- 7 模块托架 在模块托架中安装 D 模块光盘驱动器、第二硬盘驱动器或软盘驱动器。
- 8 硬盘驱动器访问指示灯 计算机在硬盘驱动器中读写数据时, 硬盘驱动器访问指示灯将会亮起。当 CD 播放器之类的设备在运行时, 此指示灯也可能亮起。
- 9 通风孔 通风孔有助于防止您的计算机过热。为确保良好通风, 请勿阻塞这些冷却通风孔。

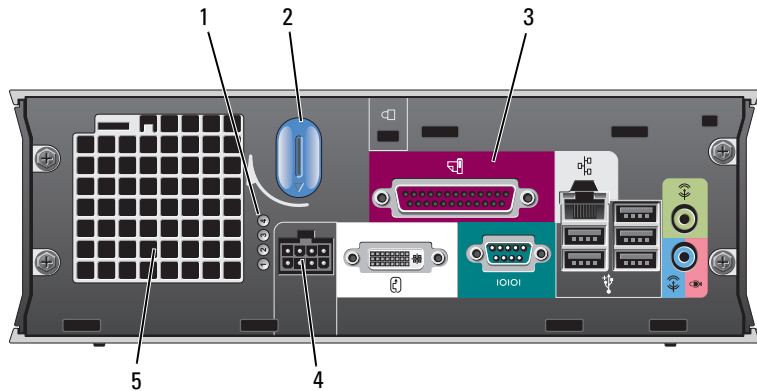


## 超小型计算机 — 侧面视图



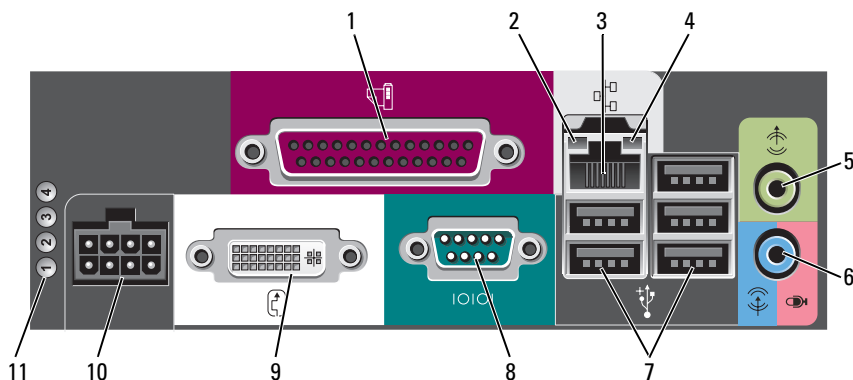
- 1 通风孔 位于计算机每侧的通风孔有助于防止其过热。为确保良好通风，请勿阻塞这些冷却通风孔。

## 超小型计算机 — 背面视图



- 1 诊断指示灯 有关可帮助您解决故障排除计算机问题的指示灯代码的说明，请参阅在第 106 页上的“诊断指示灯”。
- 2 主机盖释放旋钮 顺时针转动此旋钮可卸下主机盖。
- 3 背面板连接器 适用于您计算机的连接器（请参阅在第 82 页上的“超小型计算机 — 背面板连接器”）。
- 4 电源连接器 插入电源电缆。
- 5 通风孔 通风孔有助于防止您的计算机过热。为确保良好通风，请勿阻塞这些冷却通风孔。

## 超小型计算机 — 背面板连接器



- 1 并行连接器  
将打印机等并行设备连接至并行连接器。如果您有 USB 打印机，请将其缆线插入 USB 连接器中。
- 2 链路完整性指示灯
  - 绿色 — 10Mbps 网络和计算机之间存在良好连接。
  - 橙色 — 100Mbps 网络和计算机之间存在良好连接。
  - 黄色 — 1Gbps（或 1000Mbps）网络和计算机之间存在良好连接。
  - 熄灭 — 计算机未检测到与网络之间的物理连接，或网络控制器在系统设置中被关闭。
- 3 网络适配器  
要将计算机连接到某一网络或宽带设备，请将网络电缆的一端连接到网络插孔或您的网络或宽带设备。将网络电缆的另一端连接到计算机背面板上的网络适配器连接器。咔嗒声指示网络电缆已稳固连接。  
**注：请勿将电话电缆插入网络连接。**  
对于备有网络连接器卡的计算机，请使用卡上的连接器。  
建议在网络中使用类别 5 配线和连接器。如果必须使用类别 3 配线，则应将网络速度强行控制在 10 Mbps 以确保可靠运行。
- 4 网络活动指示灯  
一个琥珀色指示灯，在计算机传送或接收网络数据时闪烁。网络通信量较大时，此指示灯看起来可能会处于持续“亮起”的状态。
- 5 输出连接器  
使用绿色输出连接器连接功放扬声器设备。
- 6 输入 / 麦克风连接器  
使用蓝色和粉色输入 / 麦克风连接器连接录音 / 播放设备，例如磁带播放机、CD 播放器或磁带录像机；或用于将声音或音乐输入至声音或电话程序的个人计算机麦克风。
- 7 USB 连接器（5）  
对于通常保持连接的设备如打印机和键盘，请使用计算机背部的 USB 连接器。
- 8 串行连接器  
将掌上设备等串行设备连接至串行连接器。
- 9 视频连接器  
如果您使用 DVI 兼容显示器，将显示器上的电缆插入背面板上的白色连接器中。  
如果您使用 VGA 显示器，请参阅《用户指南》中的“连接 VGA 显示器”。
- 10 电源连接器  
适用于电源适配器的连接器。
- 11 诊断指示灯  
有关可帮助您解决故障排除计算机问题的指示灯代码的说明，请参阅在第 106 页上的“诊断指示灯”。

## 卸下主机盖



**警告：**在开始执行本节中的任何步骤之前，请遵循《产品信息指南》中的安全说明。



**警告：**为避免遭受电击，应始终确保在卸下主机盖之前先从电源插座上拔下计算机的电源插头。

### 开始之前



**注意：**为避免丢失数据，在关闭计算机之前请保存并关闭任何开启的文件、退出任何开启的程序。

- 1 关闭操作系统：
  - a 保存和关闭任何打开的文件并退出任何开启的程序，单击 **Start**（开始）按钮，然后单击 **Turn Off Computer**（关闭计算机）。
  - b 在 **Turn off computer**（关闭计算机）窗口中，单击 **Turn off**（关闭）。  
计算机会在操作系统的关闭操作结束后关闭。
- 2 确保关闭计算机和任何与计算机连接的设备。如果您的计算机和附加设备在您关闭操作系统时没有自动关闭，请现在将它们关闭。

### 拆装计算机内部组件之前

请遵守以下安全原则以帮助保护您的计算机免受到潜在的损坏且帮助确保您个人的人身安全。



**警告：**在开始执行本节中的任何步骤之前，请遵循《产品信息指南》中的安全说明。



**警告：**小心拿放组件和插卡。请勿触摸组件或插卡上的触点。持拿插卡时，应持拿插卡的边缘或其金属固定支架。对于处理器等组件，应持拿其边缘而不要触摸其插针。





**注意：**只允许获得认证的维修技术人员对您的计算机进行维修。由于进行 Dell 未授权的维修所造成的损坏不在保修范围之内。



**注意：**当断开电缆的连接时，请拔拉电缆的连接器或其张力释放拉环，请勿拔拉电缆本身。某些电缆备有带锁定卡舌的连接器；当断开此类电缆的连接时，请在断开电缆的连接之前先按下锁定卡舌。在拔出连接器的过程中，请保持两边对齐以避免弄弯任何连接器插针。另外，在连接电缆之前，请确保两个连接器均已正确定向并对齐。

为避免损坏计算机，请在开始拆装计算机内部组件之前执行以下步骤：

- 1 关闭计算机。
-  **注意：**要断开网络电缆的连接，应先将电缆的一端从计算机中拔下，然后再将其另一端从墙上的网络插孔中拔下。
- 2 断开任何电话或电信线路与计算机的连接。
- 3 断开计算机和所有已连接的设备与电源插座的连接，然后按下电源按钮使系统板接地。
- 4 如果适用，请卸下计算机支架（有关说明，请参阅支架随附的说明文件）。
-  **警告：**为避免遭受电击，应始终确保在卸下主机盖之前先从电源插座上拔下计算机的电源插头。
- 5 卸下主机盖。
  - 卸下小型塔式机箱计算机主机盖（请参阅在第 84 页上的“小型塔式机箱计算机”）。
  - 卸下台式计算机盖板（请参阅在第 85 页上的“台式计算机”）。
  - 卸下小型计算机主机盖（请参阅在第 86 页上的“小型计算机”）。
  - 卸下超小型计算机主机盖（请参阅在第 87 页上的“超小型计算机”）。



**注意：**在触摸计算机内部的任何组件之前，请先触摸计算机未涂漆的金属表面（例如计算机背面的金属）以导去身上的静电。工作期间，应定期触摸未涂漆的金属表面以释放可能会损坏内部组件的任何静电。

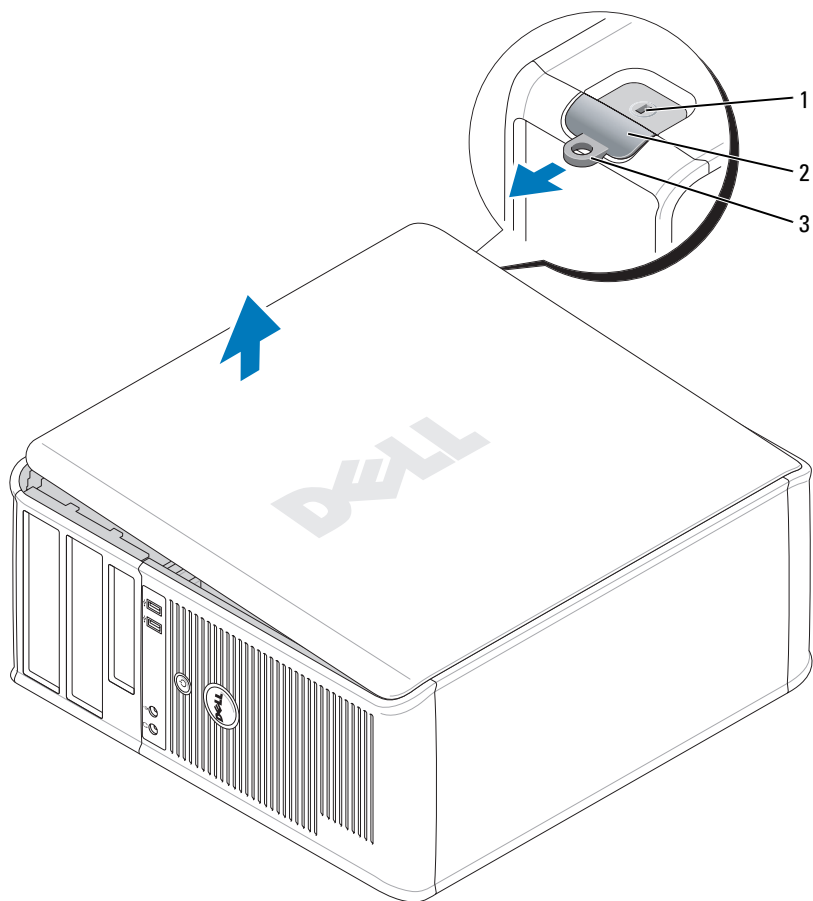
## 小型塔式机箱计算机

**警告：**在开始执行本节中的任何步骤之前，请遵循《产品信息指南》中的安全说明。

**警告：**为避免遭受电击，应始终确保在卸下主机盖之前先从电源插座上拔下计算机的电源插头。

- 1 请遵循在第 83 页上的“开始之前”中的步骤。
- 2 如图例所示，将计算机侧放。
- 3 找到图例中所示的盖板释放闩锁。然后，将主机盖释放闩锁向后滑动的同时，提起主机盖。
- 4 抓住主机的侧边，用铰接部件卡舌作为支点，将盖板撬起。
- 5 从铰接部件卡舌上卸下盖板，将其置于柔软且非磨蚀性的表面上。

**警告：**在正常操作中，图形卡散热器可能会变得发烫。在触摸图形卡散热器之前，请确保其已进行了足够时间的冷却。



1 安全缆线槽口

2 主机盖释放闩锁

3 挂锁扣环

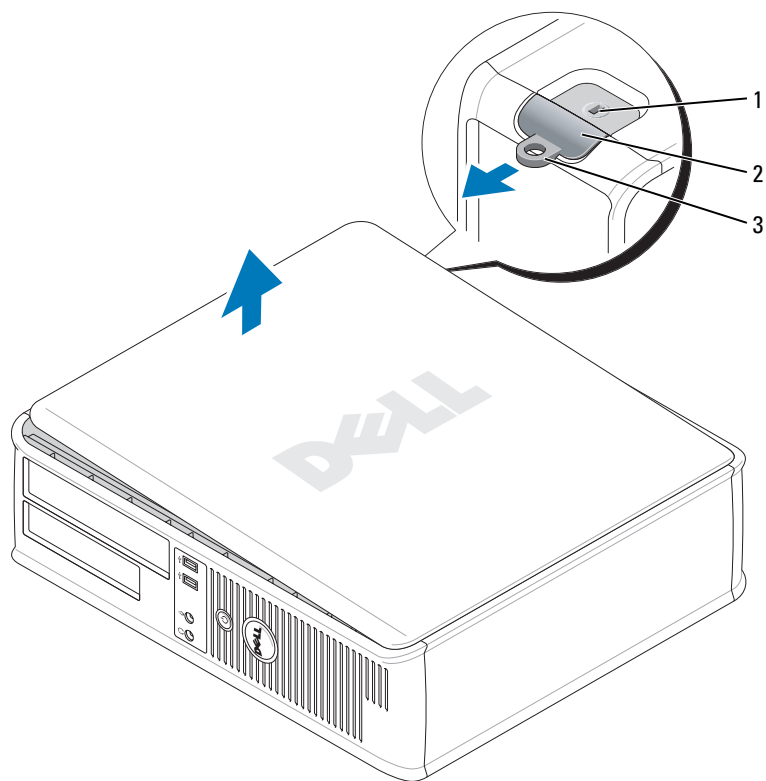
## 台式计算机

**警告：** 在执行本节中的任何步骤之前，请遵循《产品信息指南》中的安全说明。

**警告：** 为避免遭受电击，应始终确保在卸下主机盖之前先从电源插座上拔下计算机的电源插头。

- 1 请遵循在第 83 页上的“开始之前”中的步骤。
- 2 如果您已在背面板上的挂锁扣环中安装了挂锁，请取下此锁。
- 3 找到图例中所示的盖板释放闩锁。然后，将主机盖释放闩锁向后滑动的同时，提起主机盖。
- 4 抓住主机的侧边，用铰接部件卡舌作为支点，将盖板撬起。
- 5 从铰接部件卡舌上卸下盖板，将其置于柔软且非磨蚀性的表面上。

**警告：** 在正常操作中，图形卡散热器可能会变得发烫。在触摸图形卡散热器之前，请确保其已进行了足够时间的冷却。



1 安全缆线槽口

2 主机盖释放闩锁

3 挂锁扣环

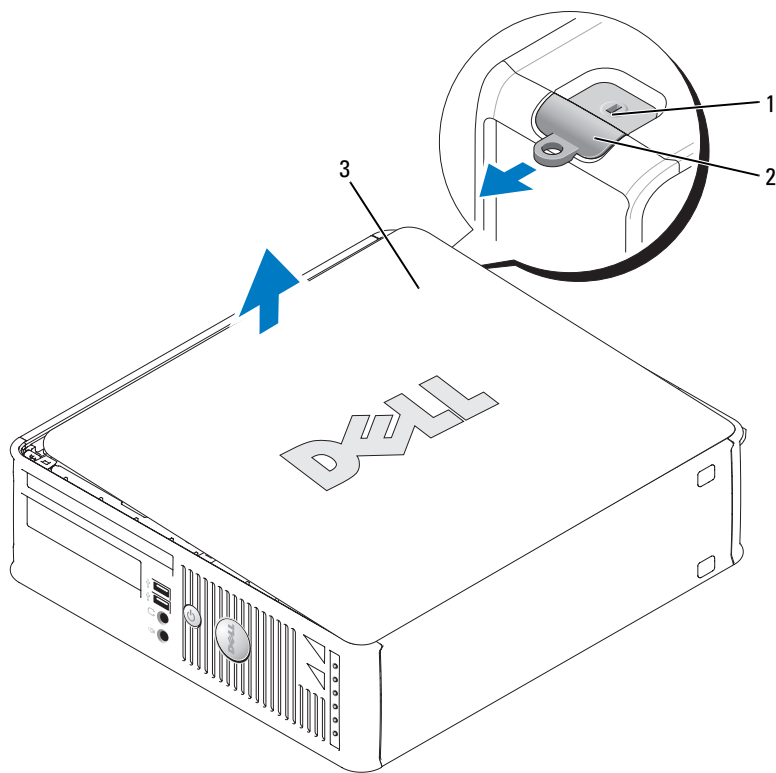
## 小型计算机

**警告：**在开始执行本节中的任何步骤之前，请遵循《产品信息指南》中的安全说明。

**警告：**为避免遭受电击，应始终确保在卸下主机盖之前先从电源插座上拔下计算机的电源插头。

- 1 请遵循在第 83 页上的“开始之前”中的步骤。
- 2 如果您已在背面板上的挂锁扣环中安装了挂锁，请取下此锁。
- 3 找到图例中所示的盖板释放闩锁。然后，将主机盖释放闩锁向后滑动的同时，提起主机盖。
- 4 抓住主机盖侧边，用底部铰接部件作为支点，将盖板撬起。
- 5 从铰接部件卡舌上卸下盖板，将其置于柔软且非磨蚀性的表面上。

**警告：**在正常操作中，图形卡散热器可能会变得发烫。在触摸图形卡散热器之前，请确保其已进行了足够时间的冷却。



1 安全缆线槽口

2 主机盖释放闩锁

3 主机盖

## 超小型计算机

**⚠ 警告：**在开始执行本节中的任何步骤之前，请遵循《产品信息指南》中的安全说明。

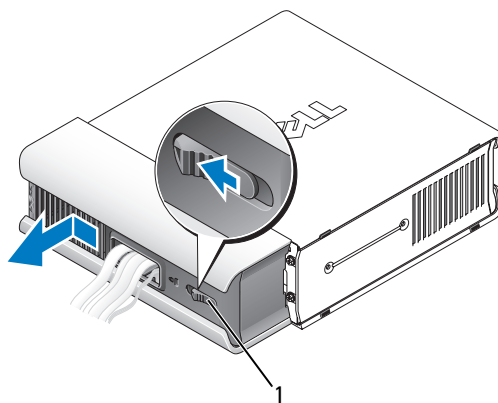
**⚠ 警告：**为避免遭受电击，应始终确保在卸下主机盖之前先从电源插座上拔下计算机的电源插头。

1 请遵循在第 83 页上的“开始之前”中的步骤。

**👉 注意：**触摸计算机内部的任何组件之前，请触摸未涂漆的金属表面以导去身上的静电。工作期间，应定期触摸未涂漆的金属表面以释放可能会损坏内部组件的任何静电。

2 如果适用，请卸下电缆盖板。

a 如果在安全缆线槽口中安装了安全设备，请将其卸下。




1 释放按钮

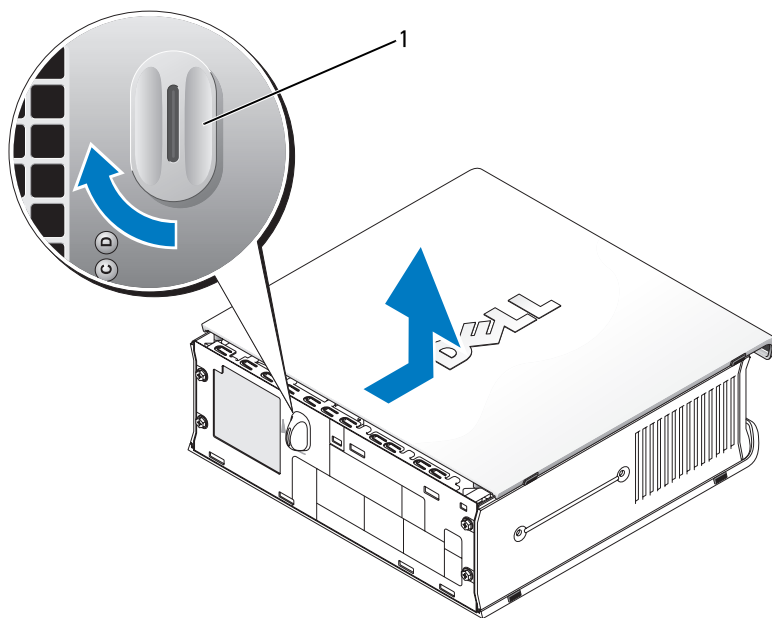
b 按下释放按钮，握住缆线盖板，并将盖板向左滑动直到停住为止，然后将缆线盖板向上提起并将其移开。

3 卸下主机盖。

a 以顺时针的方向旋转盖板释放钮，如图例所示。

b 将主机盖向前滑动 1 cm (½ 英寸)，或直到停住为止，然后提起主机盖。

 **警告：**在正常操作中，图形卡散热器可能会变得发烫。在触摸图形卡散热器之前，请确保其已进行了足够时间的冷却。

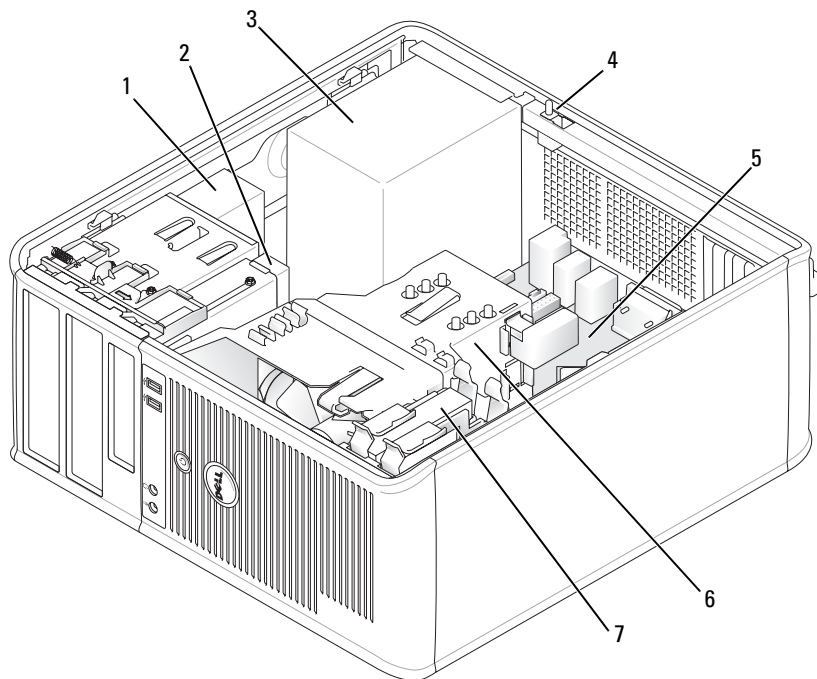


1 释放旋钮



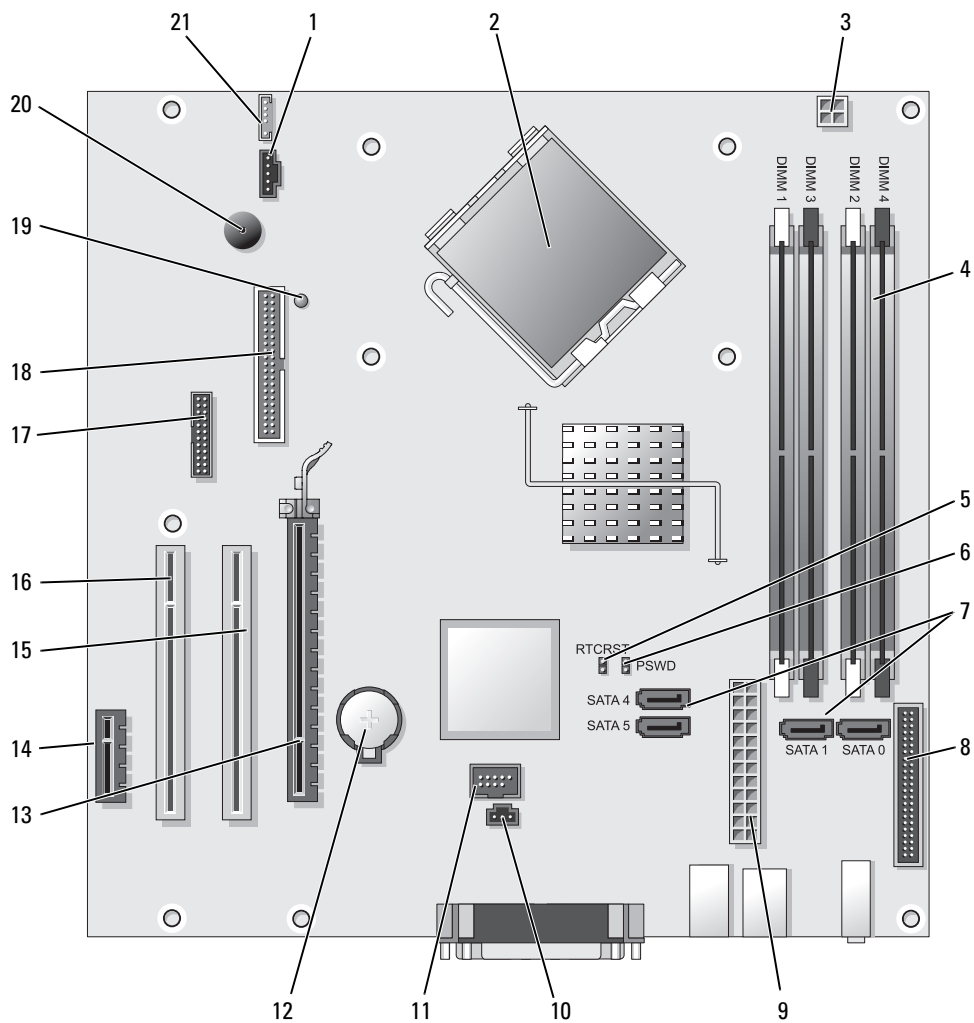
# 计算机内部组件

## 小型塔式机箱计算机



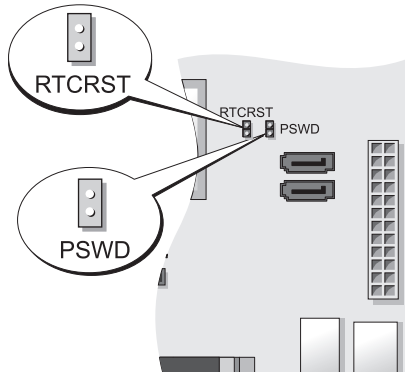
- |             |                |         |
|-------------|----------------|---------|
| 1 光盘驱动器     | 2 软盘驱动器或介质卡阅读器 | 3 电源设备  |
| 4 可选的机箱防盗开关 | 5 系统板          | 6 散热器部件 |
| 7 硬盘驱动器     |                |         |

## 系统板组件



- |  |                                |
|--|--------------------------------|
| 1 风扇连接器 (FAN)                              | 12 电池槽 (BATT)                  |
| 2 处理器连接器 (CPU)                             | 13 PCI Express x16 连接器 (SLOT1) |
| 3 处理器电源连接器 (12VPOWER)                      | 14 PCI Express x1 连接器 (SLOT4)  |
| 4 内存模块连接器 (DIMM_1, DIMM_2, DIMM_3, DIMM_4) | 15 PCI 连接器 (SLOT2)             |
| 5 RTC 重设跳线 (RTCRST)                        | 16 PCI 连接器 (SLOT3)             |
| 6 密码跳线 (PSWD)                              | 17 串行连接器 (SER2)                |
| 7 SATA 驱动器连接器 (SATA0, SATA1, SATA4, SATA5) | 18 软盘驱动器连接器 (DSKT)             |
| 8 前面板连接器 (FNT_PANEL)                       | 19 剩余电量                        |
| 9 电源连接器 (POWER)                            | 20 系统板扬声器 (BEEP)               |
| 10 防盗开关连接器 (INTRUDER)                      | 21 扬声器连接器 (INT_SPKR)           |
| 11 内部 USB (INTERNAL_USB)                   |                                |

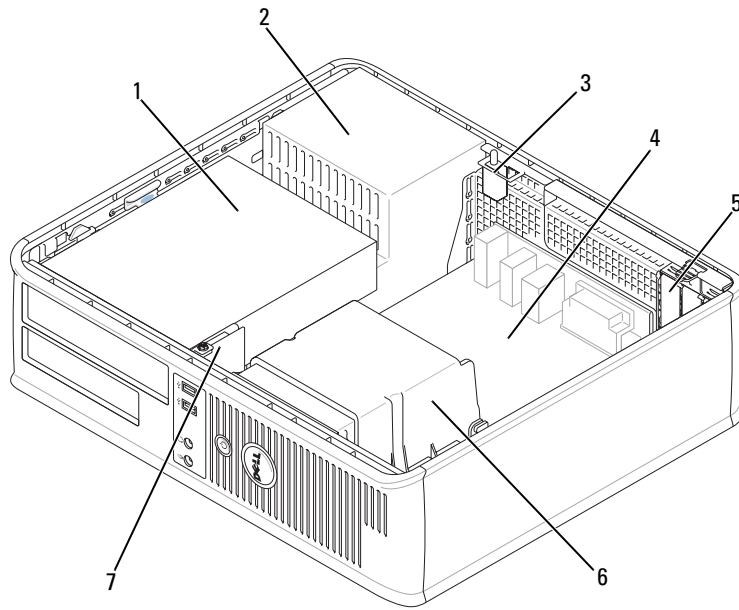
## 跳线设置



跳线	设置	说明
PSWD		密码功能已启用 (默认设置)。
		密码功能已禁用。
RTCRST		实时时钟尚未重设。
		实时时钟正在被重设 (暂时已跳接)。

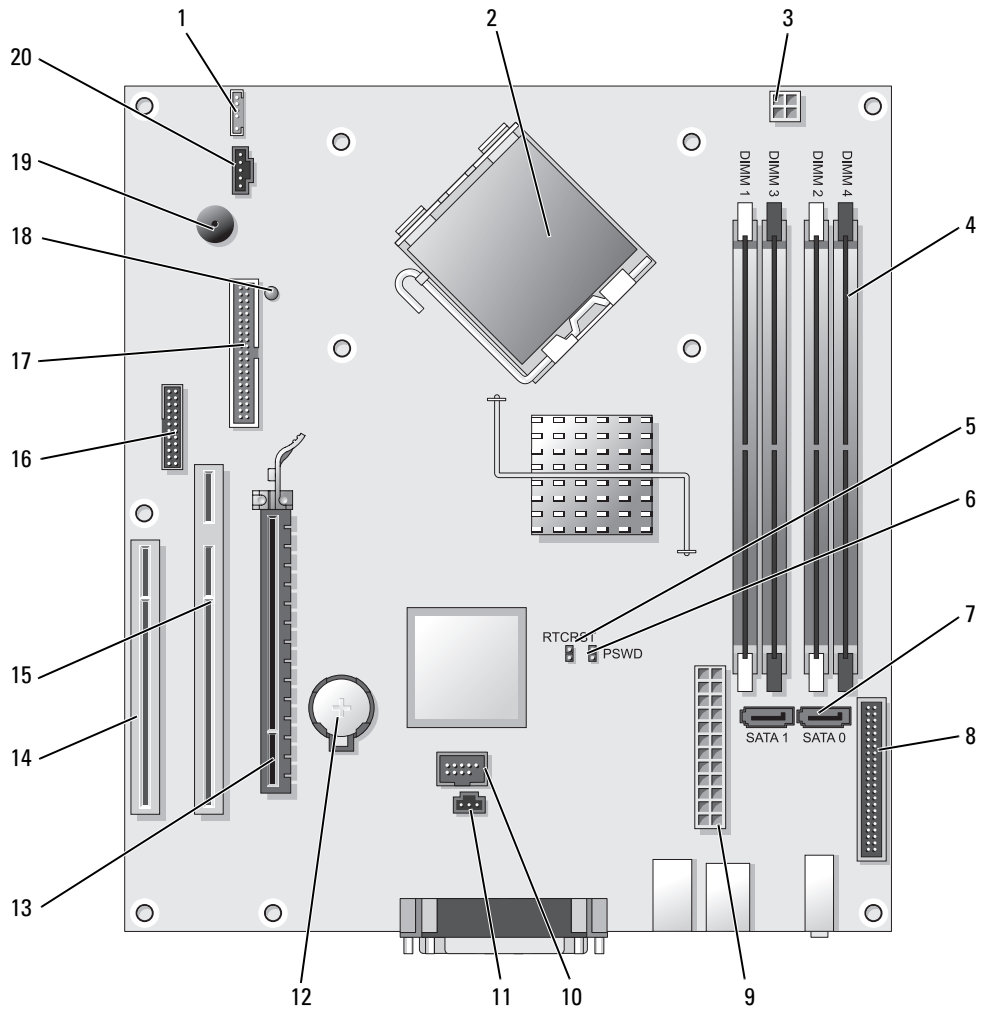
已跳接    未跳接

## 台式计算机



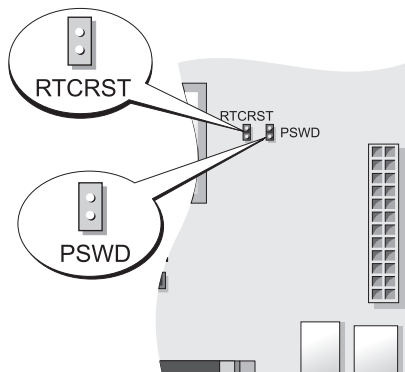
- |                                    |        |             |
|------------------------------------|--------|-------------|
| 1 驱动器托架（介质卡阅读器或软盘驱动器，光盘驱动器和硬盘驱动器）。 | 2 电源设备 | 3 可选的机箱防盗开关 |
| 4 系统板                              | 5 卡插槽  | 6 散热器部件     |
| 7 前 I/O 面板                         |        |             |

## 系统板组件



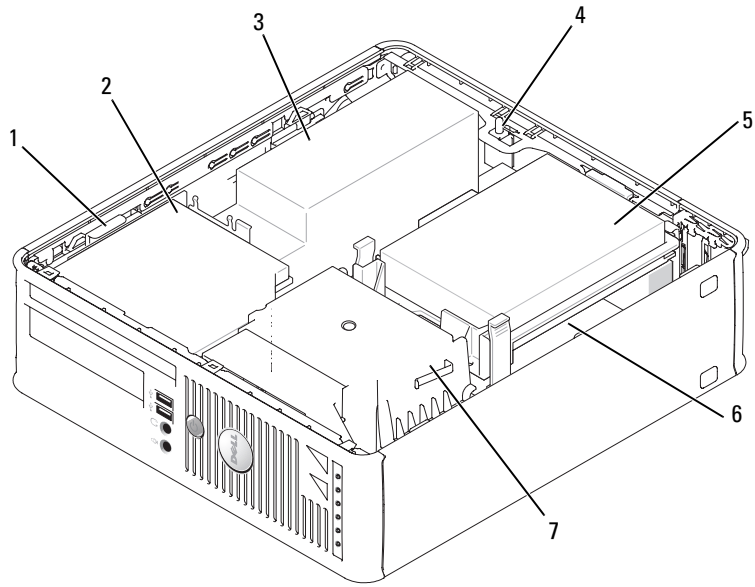
- |    |  |    |                             |
|----|--|----|-----------------------------|
| 1  | 内部扬声器 (INT_SPKR)                         | 11 | 防盗开关连接器 (INTRUDER)          |
| 2  | 处理器连接器 (CPU)                             | 12 | 电池槽 (BATT)                  |
| 3  | 处理器电源连接器 (12VPOWER)                      | 13 | PCI Express x16 连接器 (SLOT1) |
| 4  | 内存模块连接器 (DIMM_1, DIMM_2, DIMM_3, DIMM_4) | 14 | PCI 连接器 (SLOT3)             |
| 5  | RTC 重设跳线 (RTCRST)                        | 15 | PCI 连接器 (SLOT2)             |
| 6  | 密码跳线 (PSWD)                              | 16 | 串行连接器 (SER2)                |
| 7  | SATA 连接器 (SATA0, SATA1)                  | 17 | 软盘驱动器连接器 (DSKT)             |
| 8  | 前面板连接器 (FNT_PANEL)                       | 18 | 剩余电量                        |
| 9  | 电源连接器 (POWER)                            | 19 | 系统板扬声器 (BEEP)               |
| 10 | 内部 USB (INTERNAL_USB)                    | 20 | 风扇连接器 (FAN)                 |

## 跳线设置



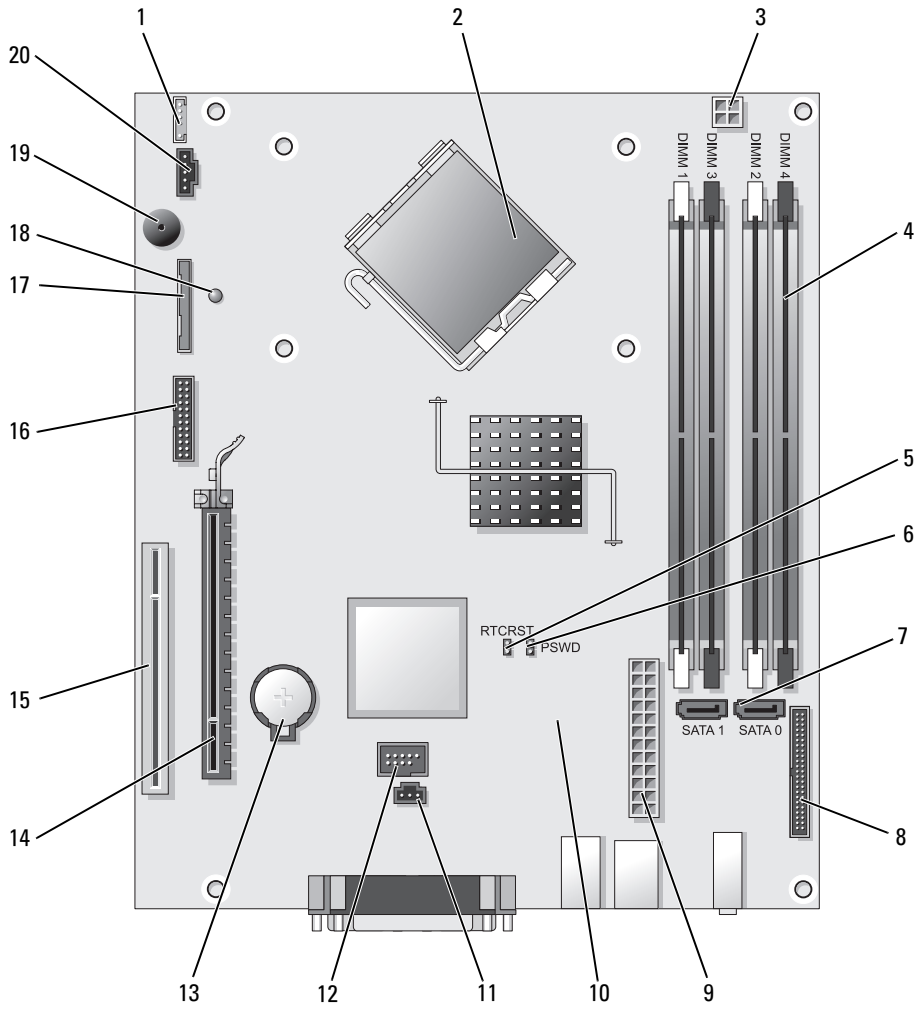
跳线	设置	说明
PSWD		密码功能已启用 (默认设置)。
		密码功能已禁用。
RTCRST		实时时钟尚未重设。
		实时时钟正在被重设 (暂时已跳接)。
	已跳接  未跳接	

## 小型计算机



- |   |           |   |       |   |         |
|---|-----------|---|-------|---|---------|
| 1 | 驱动器释放门锁   | 2 | 光盘驱动器 | 3 | 电源设备和风扇 |
| 4 | 可选的机箱防盗开关 | 5 | 硬盘驱动器 | 6 | 系统板     |
| 7 | 散热器与通风部件  |   |       |   |         |

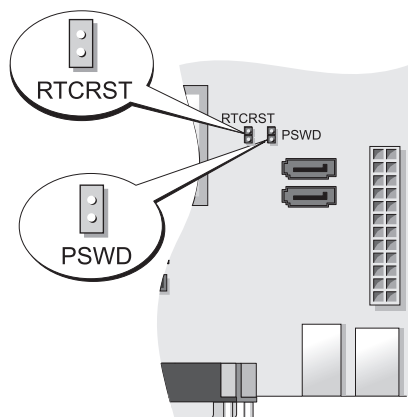
## 系统板组件





- |    |  |    |                             |
|----|--|----|-----------------------------|
| 1  | 内部扬声器连接器 (INT_SPKR)                      | 11 | 防盗开关连接器 (INTRUDER)          |
| 2  | 处理器连接器 (CPU)                             | 12 | 内部 USB 连接器 (USB)            |
| 3  | 处理器电源连接器 (12VPOWER)                      | 13 | 电池槽 (BATT)                  |
| 4  | 内存模块连接器 (DIMM_1, DIMM_2, DIMM_3, DIMM_4) | 14 | PCI Express x16 连接器 (SLOT1) |
| 5  | RTC 重设跳线 (RTCRST)                        | 15 | PCI 连接器 (SLOT2)             |
| 6  | 密码跳线 (PSWD)                              | 16 | 串行连接器 (SER2)                |
| 7  | SATA 连接器 (SATA0, SATA1)                  | 17 | 软盘驱动器连接器 (DSKT)             |
| 8  | 前面板连接器 (FNT_PANEL)                       | 18 | 剩余电量                        |
| 9  | 电源连接器 (POWER)                            | 19 | 系统板扬声器 (BEEP)               |
| 10 | 风扇连接器 (FAN2)                             | 20 | 风扇连接器 (FAN)                 |

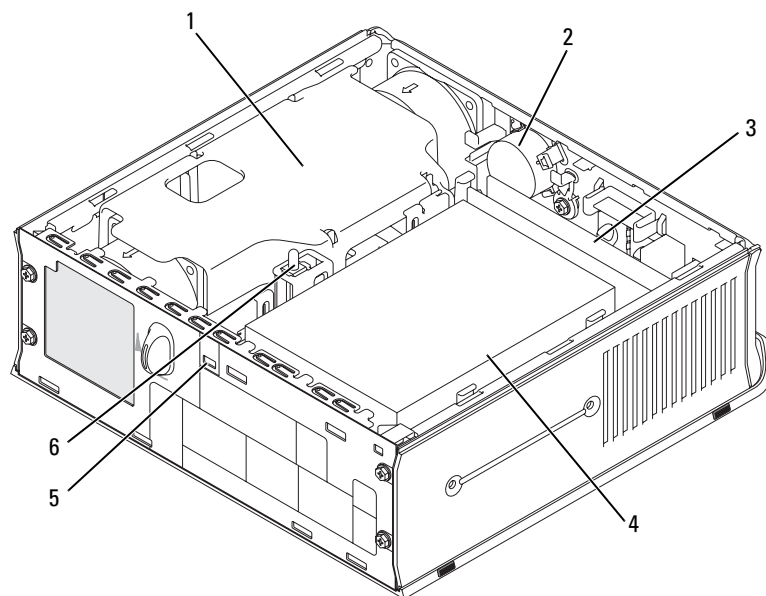
## 跳线设置



跳线	设置	说明
PSWD		密码功能已启用 (默认设置)。
		密码功能已禁用。
RTCRST		实时时钟尚未重设。
		实时时钟正在被重设 (暂时已跳接)。

已跳接    未跳接

## 超小型计算机



1 风扇导流罩 / 散热器部件

2 扬声器（可选）

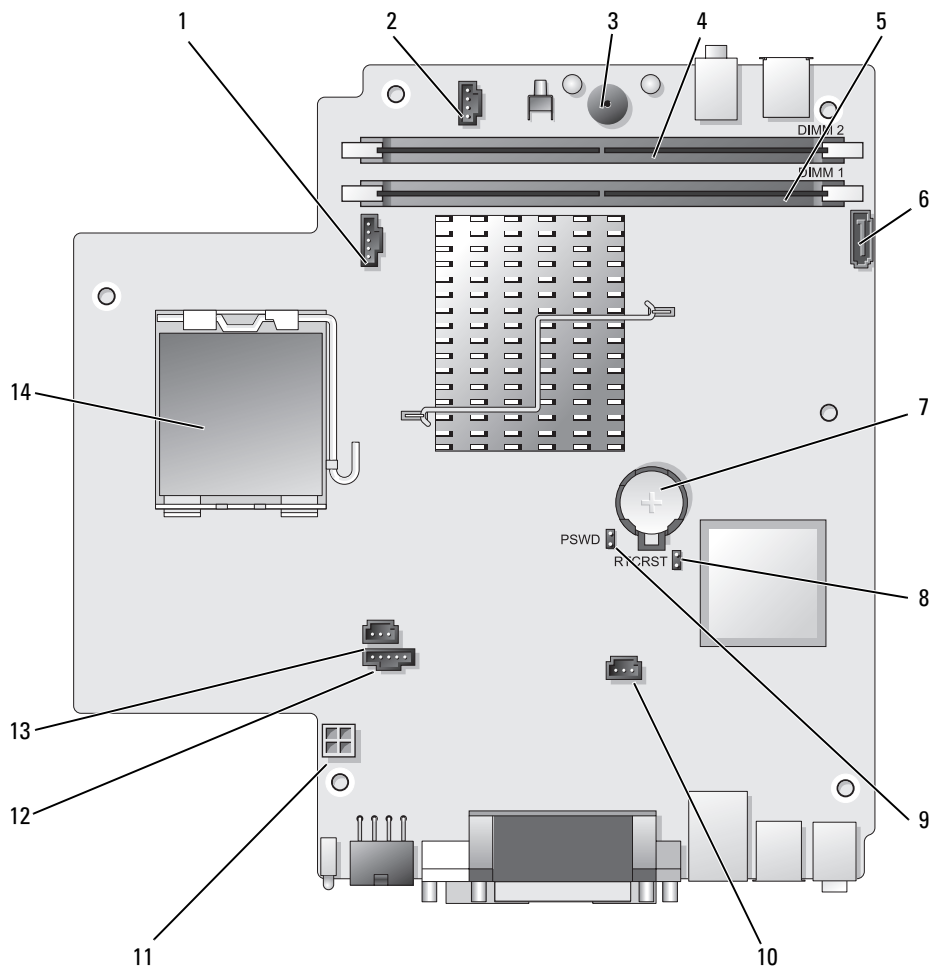
3 内存模块（2）

4 硬盘驱动器

5 安全缆线槽口

6 机箱防盗开关

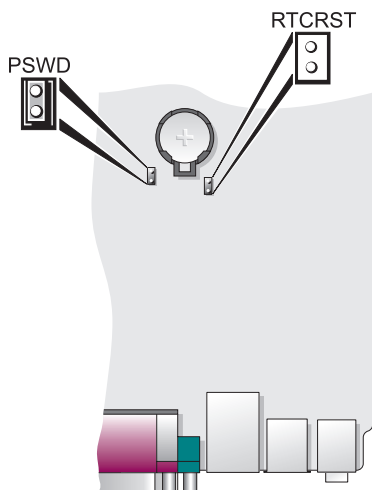
## 系统板组件



- 1 风扇连接器 (FAN\_FRONT)
- 2 内部扬声器连接器 (INT\_SPKR)
- 3 系统板扬声器 (BEEP)
- 4 B 信道内存连接器 (DIMM\_2)
- 5 A 信道内存连接器 (DIMM\_1)
- 6 SATA 数据电缆连接器 (SATA0)
- 7 电池 (BATT)

- 8 清除 CMOS 跳线 (RTCST)
- 9 密码跳线 (PSWD)
- 10 硬盘驱动器风扇连接器 (FAN\_HDD)
- 11 硬盘驱动器电源连接器 (SATA\_PWR)
- 12 风扇连接器 (FAN\_REAR)
- 13 防盗开关连接器 (INTRUDER)
- 14 处理器 (CPU)

## 跳线设置



跳线	设置	说明
PSWD		密码功能已启用（默认设置）。
		密码功能已禁用。
RTCRST		实时时钟尚未重设。
		实时时钟正在被重设（暂时已跳接）。

已跳接    未跳接

## 安装计算机

- 警告：**在开始执行本节的任何步骤之前，请遵循《产品信息指南》中的安全说明。
- 注意：**如果您的计算机安装了扩充卡（例如调制解调器卡），请将相应的电缆连接到该卡，而不要连接到背面板上的连接器上。
- 注意：**为了有助于计算机维持正常的运行温度，请确保不要将其置于过于靠近墙壁，或其他有可能妨碍机箱周围空气流通的存储箱的位置。有关详细信息，请参阅您的《产品信息指南》。
- 注：**在安装任何非计算机附带的设备或软件之前，请先阅读该设备或软件附带的说明文件，或与经销商联系以确认该设备或软件与您的计算机和操作系统兼容。

您必须完成所有步骤才能正确安装您的计算机。请参阅说明后面的适当图示。

**注意：**请勿尝试同时使用 PS/2 鼠标和 USB 鼠标。

1 连接键盘和鼠标。

**注意：**请勿将调制解调器电缆连接至网络适配器连接器。电话通信产生的电压能够对网络适配器造成损坏。

2 连接调制解调器或网络电缆。

将网络电缆，而不是电话线，插入到网络连接器中。如果您的计算机备有一个可选的调制解调器，请将电话线连接至调制解调器。

3 连接显示器。

对齐并轻轻插入显示器电缆，以避免弄弯连接器插针。拧紧电缆连接器上的指旋螺钉。

**注：**某些显示器的视频连接器位于屏幕背部下方。有关显示器连接器的位置，请参阅显示器随附的说明文件。

4 连接扬声器。

5 将电源电缆的一端连接到计算机、显示器和设备，将电源电缆的另一端连接到电源插座。

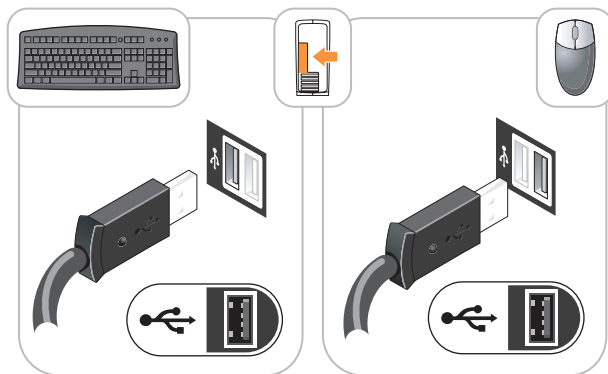
**注意：**为避免损坏备有手动电压选择开关的计算机，请将开关设置为最接近当地使用的交流电源电压。

**注意：**虽然日本可用的交流电压为 100V，但必须将电压选择开关设置在 115V 位置。

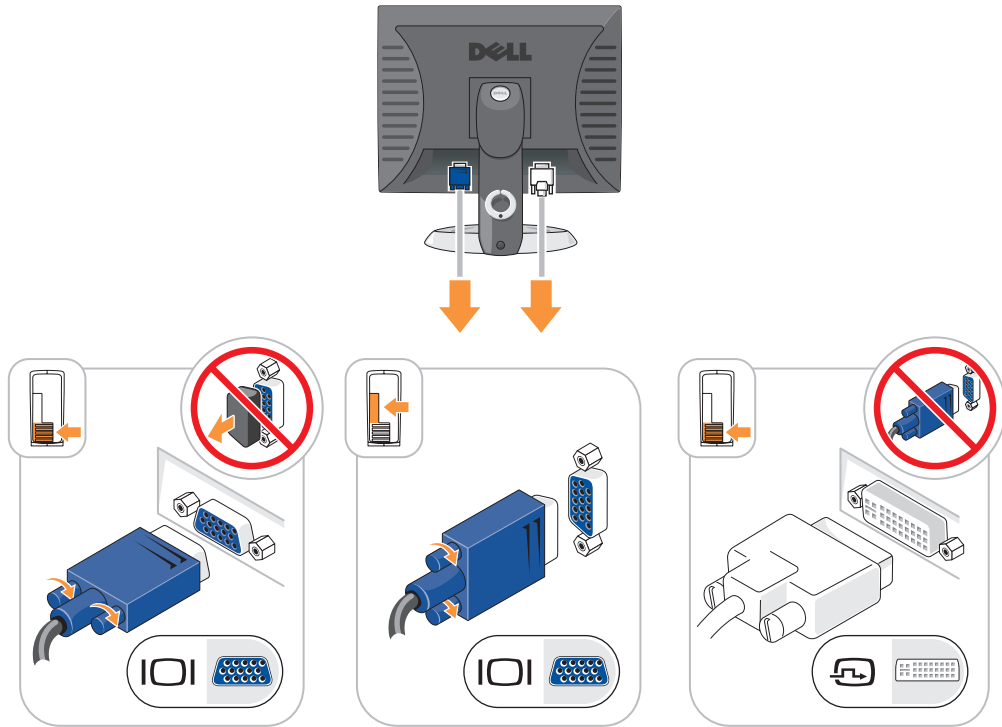
6 验证电压选择开关的设置是否适合您所在地区提供的电源。

您的计算机备有手动电压选择开关。必须将背面板上备有电压选择开关的计算机手动设置在正确的工作电压下运行。

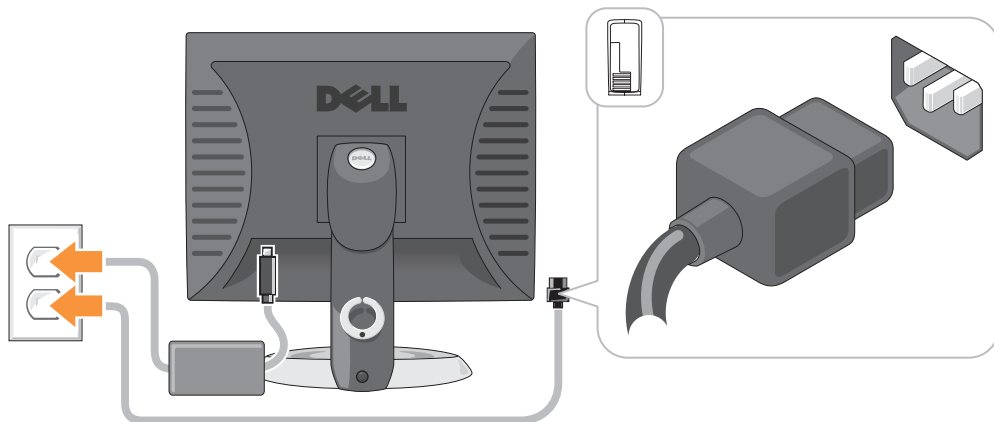
## 安装键盘和鼠标



## 安装显示器



## 电源连接



## 解决问题

如果您计算机的运行达不到预期的效果，Dell 提供了许多帮助工具。有关您计算机的最新故障排除信息，请访问 Dell 支持 Web 站点 [support.dell.com](http://support.dell.com)。

如果计算机出现的故障需要 Dell 提供帮助，请详细写明错误、哔声代码或诊断指示灯模式，并在下方记录快速服务代码和服务标签，然后从计算机所在位置与 Dell 联系。有关联系 Dell 的信息，请参阅您的在线《用户指南》。

有关“快速服务代码”和“服务标签”的实例，请参阅您计算机《用户指南》中的“查找信息”部分。

快速服务代码: \_\_\_\_\_


服务标签: \_\_\_\_\_

### Dell 诊断程序

 **警告：** 在开始执行本节中的任何步骤之前，请遵循《产品信息指南》中的安全说明。

#### 何时使用 Dell 诊断程序

如果您的计算机出现了问题，请在联系 Dell 寻求技术帮助之前，先执行在线《用户指南》中“解决问题”部分里的各检查项目，并且运行 Dell 诊断程序。有关联系 Dell 的信息，请参阅您的在线《用户指南》。

 **注意：** Dell 诊断程序只能在 Dell™ 计算机上运行。

进入系统设置（有关说明，请参阅在线《用户指南》中的“系统设置”），查看您计算机的配置信息，并确保要测试的设备显示在系统设置中并处于激活状态。

从硬盘或可选的 *Drivers and Utilities CD* (*ResourceCD*) 启动 Dell 诊断程序。

#### 从硬盘驱动器启动 Dell 诊断程序

- 1 开启（或重新启动）计算机。
- 2 当 DELL 徽标出现时，请立即按 <F12> 键。

 **注：** 如果显示一条信息说明未找到任何诊断公用程序分区，则从可选的 *Drivers and Utilities CD*（请参阅在第 104 页上的“从 *Drivers and Utilities CD* 启动 Dell 诊断程序”）运行 Dell 诊断程序。

如果等待时间过长，并且出现了操作系统徽标，请继续等待，直到看见 Microsoft® Windows® 桌面。然后关闭计算机，并且再试一次。

当引导设备列表出现之后，高亮度显示 **Boot to Utility Partition**（引导到公用程序分区）并按 <Enter> 键。

- 3 当 Dell 诊断程序 **Main Menu**（主菜单）出现时，请选择想要运行的测试。

## 从 Drivers and Utilities CD 启动 Dell 诊断程序

- 1 插入 *Drivers and Utilities* CD。
- 2 关闭并重新启动计算机。

当 DELL 徽标出现时，请立即按 <F12> 键。

如果等待时间过长，并且出现了操作系统徽标，请继续等待，直到看见 Microsoft Windows 桌面。然后关闭计算机，并且再试一次。



**注：**后面的步骤只会更改一次引导顺序。当下一次启动时，计算机将根据系统设置程序中指定的设备进行引导。

- 3 当出现引导设备列表之后，高亮度显示 CD/DVD 驱动器的列表，并按 <Enter> 键。
- 4 从 CD 引导菜单中选择“CD/DVD 驱动器列表”选项。
- 5 从显示的菜单中选择“从 CD/DVD 驱动器引导”选项。
- 6 键入 1 启动 *Drivers and Utilities* CD 菜单。
- 7 键入 2 启动 Dell 诊断程序。
- 8 从编号列表中选择 **Run the 32 Bit Dell Diagnostics**（运行 32 位 Dell 诊断程序）。如果列出了多个版本，请选择适用于您的计算机的版本。
- 9 当 Dell 诊断程序 **Main Menu**（主菜单）出现时，请选择想要运行的测试。

## Dell 诊断程序主菜单

- 1 在“Dell 诊断程序”载入并且 **Main Menu**（主菜单）屏幕出现之后，请单击所需选项的按钮。

选项	功能
Express Test（快速测试）	对设备执行快速测试。此测试通常需要 10 到 20 分钟，并且不需要人工介入。先运行 <b>Express Test</b> （快速测试）可增大快速追踪问题的可能性。
Extended Test（扩展测试）	对设备执行全面检查。此测试通常需要一小时或更长时间，并且需要您不时地回答一些问题。
Custom Test（自定义测试）	测试特定设备。您可以自定义要运行的测试。
Symptom Tree（症状树）	列出了最常遇到的一些症状，并使您可以根据所遇到问题的症状选择不同的测试。

- 2 如果在测试过程中遇到了问题，将显示一条包含错误代码和问题说明的信息。请记下错误代码和问题说明，并遵循屏幕上的说明操作。

如果您无法解决该错误状态，请联系 Dell。有关联系 Dell 的信息，请参阅您的在线《用户指南》。



**注：**您计算机的“服务标签”位于每个测试屏幕的顶部。当您联系 Dell 时，技术支持部门人员会要求您提供“服务标签”。

- 3 如果您从 **Custom Test**（自定义测试）或 **Symptom Tree**（症状树）选项运行测试，请单击下表中说明的适用选项卡来了解详情。



选项卡	功能
Results（结果）	显示测试结果和遇到的任何错误状态。
Errors（错误）	显示遇到的错误状态、错误代码和问题说明。
Help（帮助）	对测试进行说明，并可能会指出运行测试的要求。
Configuration（配置）	显示选定设备的硬件配置。 “Dell 诊断程序”从系统设置、内存和各种内部测试获得所有设备的配置信息，并在屏幕左窗格的设备列表中显示这些信息。设备列表可能不会显示计算机中安装的所有组件或与计算机连接的所有设备的名称。
Parameters（参数）	使您可以通过更改测试设置来自定义测试。

- 4 如果是从 *Drivers and Utilities* CD（可选）处运行 Dell 诊断程序，当测试结束时，请取出该 CD。
- 5 关闭测试屏幕以返回到 **Main Menu**（主菜单）屏幕。如要退出“Dell 诊断程序”并重新启动计算机，请关闭 **Main Menu**（主菜单）屏幕。

## 系统指示灯

电源指示灯可能会指示某种计算机故障。

电源指示灯	问题说明	建议的解决方案
呈绿色稳定亮起	计算机已接通电源，并且运行正常。	无需采取纠正措施。
呈绿色闪烁	计算机处于省电模式。	要唤醒计算机，请按电源按钮、移动鼠标或在键盘上按任意键。
呈绿色闪烁数次，然后熄灭	存在配置错误。	请检查诊断指示灯，查看是否可以识别出特定的问题（请参阅在第 106 页上的“诊断指示灯”）。
呈黄色稳定亮起	系统板上的某一设备出现故障或未正确安装，或者电源设备上的电压选择开关未正确设置。	<p>请检查诊断指示灯，查看是否可以识别出特定的问题（请参阅在第 106 页上的“诊断指示灯”）。</p> <p>请参阅在线《用户指南》中的“电源问题”部分。</p> <p>如果计算机不能引导，请与 Dell 联系获得技术帮助。有关联系 Dell 的信息，请参阅您的在线《用户指南》。</p>


电源指示灯	问题说明	建议的解决方案
呈黄色闪烁	电源设备或系统板出现故障。	<p>请检查诊断指示灯，查看是否可以识别出特定的问题（请参阅在第 106 页上的“诊断指示灯”）。</p> <p>请参阅在线《用户指南》中的“电源问题”部分。</p> <p>如果计算机不能引导，请与 Dell 联系以获得技术帮助。有关联系 Dell 的信息，请参阅您的在线《用户指南》。</p>
在开机自测（POST）期间，呈绿色稳定亮起并且计算机发出哔声代码	BIOS 运行期间检测到问题。	有关诊断哔声代码的说明，请参阅在第 108 页上的“哔声代码”。另外，请检查诊断指示灯，查看是否可以识别出特定的问题。
电源指示灯呈绿色稳定亮起，开机自测（POST）期间，无哔声代码和显示	显示器或图形卡可能出现故障，或者未正确安装。	检查诊断指示灯，查看是否可以识别出特定的问题。
在开机自测（POST）期间，电源指示灯呈绿色稳定亮起，计算机未发出哔声代码但已锁定	集成的系统板设备可能出现故障。	检查诊断指示灯，查看是否可以识别出特定的问题。如果未识别出问题，请与 Dell 联系获得技术帮助。有关联系 Dell 的信息，请参阅您的在线《用户指南》。

## 诊断指示灯

 **警告：** 在开始执行本节中的任何步骤之前，请遵循《产品信息指南》中的安全说明。

为了帮助您排除故障问题，计算机的前面板或背面板上备有四个分别标识为“1”、“2”、“3”和“4”的指示灯。这些指示灯可处于“熄灭”状态，也可以呈绿色亮起。当计算机正常启动时，指示灯的显示模式或代码将随引导进程的完成情况而变化。如果系统引导的开机自测部分成功完成，则所有四个指示灯短时间呈现稳定绿光，然后熄灭。

如果计算机在开机自测（POST）进程期间出现故障，LED 的显示模式可能有助于鉴别计算机中止时所处的进程位置。如果计算机在成功进行开机自测后发生故障，诊断指示灯将不会指示问题原因。

 **注：** 诊断指示灯的方向可根据系统的类型而不同。诊断指示灯可以垂直方向或水平方向定向。

指示灯模式	问题说明	建议的解决方案
①②③④	计算机处于正常“关闭”状态，或发生可能的 BIOS 前故障。 计算机成功引导到操作系统后，诊断指示灯没有亮起。	将计算机连接至正常工作的电源插座，并按电源按钮。
①②③④	出现了可能地 BIOS 故障，计算机进入恢复模式。	运行 BIOS Recovery（BIOS 恢复）公用程序，等待恢复完成，然后重新启动计算机。
①②③④	可能出现了处理器故障。	重新安装处理器，并重新启动计算机。有关重新安装处理器的信息，请参阅您的在线《用户指南》。
①②③④	检测到内存模块，但是出现了内存故障。	<ul style="list-style-type: none"> <li>如果安装了一个内存模块，请重新安装该模块，并重新启动计算机。有关重新安装内存模块的信息，请参阅您的在线《用户指南》。</li> <li>如果安装了两个或多个内存模块，请卸下这些模块，重新安装其中的一个模块，然后重新启动计算机。如果计算机能正常启动，请再重新安装另一个模块。重复此步骤，直到识别出有故障的模块或重新安装了所有模块均未出现错误为止。</li> <li>将同种类型的正常工作的存储器（如果有的话）正确安装到计算机中。</li> <li>如果问题仍然存在，请与 Dell 联系。有关联系 Dell 的信息，请参阅您的在线《用户指南》。</li> </ul>
①②③④	可能出现了图形卡故障。	<ul style="list-style-type: none"> <li>如果计算机备有图形卡，请将其卸下并重新安装，然后重新启动计算机。</li> <li>如果问题仍然存在，请安装一个已知能够正常工作的图形卡，并重新启动计算机。</li> <li>如果问题仍然存在或计算机使用了集成图形芯片，请与 Dell 联系。有关联系 Dell 的信息，请参阅您的在线《用户指南》。</li> </ul>
①②③④	可能出现了软盘驱动器或硬盘驱动器故障。	重新插入所有电源电缆和数据电缆，并重新启动计算机。
①②③④	可能出现了 USB 故障。	重新安装所有 USB 设备，检查电缆连接，然后重新启动计算机。

指示灯模式	问题说明	建议的解决方案
① ② ③ ④	未检测到内存模块。	<ul style="list-style-type: none"> <li>如果安装了一个内存模块，请重新安装该模块，并重新启动计算机。有关重新安装内存模块的信息，请参阅您的在线《用户指南》。</li> <li>如果安装了两个或多个内存模块，请卸下这些模块，重新安装其中的一个模块，然后重新启动计算机。如果计算机能正常启动，请再重新安装另一个模块。重复此步骤，直到识别出有故障的模块或重新安装了所有模块均未出现错误为止。</li> <li>将同种类型的正常工作的存储器（如果有的话）正确安装到计算机中。</li> <li>如果问题仍然存在，请与 Dell 联系。有关联系 Dell 的信息，请参阅您的在线《用户指南》。</li> </ul>
① ② ③ ④	检测到内存模块，但是存在内存配置或兼容性错误。	<ul style="list-style-type: none"> <li>确保不存在特殊内存模块 / 内存连接器安装要求。</li> <li>验证您安装的内存模块是否与计算机兼容。</li> <li>如果问题仍然存在，请与 Dell 联系。有关联系 Dell 的信息，请参阅您的在线《用户指南》。</li> </ul>
① ② ③ ④	<p>发生了故障。</p> <p>当您进入系统设置后也会显示此模式，但可能并不表示存在问题。</p>	<ul style="list-style-type: none"> <li>确保硬盘驱动器、CD 驱动器和 DVD 驱动器的电缆与系统板正确连接。</li> <li>请查看显示器屏幕上出现的计算机信息。</li> <li>如果问题仍然存在，请与 Dell 联系。有关联系 Dell 的信息，请参阅您的在线《用户指南》。</li> </ul>

## 哔声代码

如果显示器无法显示错误或问题，则您的计算机可能会在启动期间发出一连串哔声。我们将这一系列的哔声称作哔声代码，它代表存在的某个问题。一种可能出现的哔声代码（代码 1 3-1）由一声哔声，其后是短促的三声哔声，再后是一声哔声组成。该哔声代码指示计算机存在内存故障。

如果您的计算机在启动期间发出哔声：

- 1 请记下其哔声代码。
- 2 请参阅在第 103 页上的“Dell 诊断程序”以识别出某个更严重的故障原因。
- 3 请与 Dell 联络获得技术帮助。有关联系 Dell 的信息，请参阅您的在线《用户指南》。

代码	原因	代码	原因
1-1-2	微处理器寄存器故障	3-1-4	从中断屏蔽寄存器故障
1-1-3	NVRAM 读 / 写失败	3-2-2	中断向量载入失败
1-1-4	ROM BIOS 校验和失败	3-2-4	键盘控制器测试失败
1-2-1	可编程间隔计时器故障	3-3-1	NVRAM 断电
1-2-2	DMA 初始化失败	3-3-2	NVRAM 配置无效

代码	原因	代码	原因
1-2-3	DMA 页面寄存器读 / 写失败	3-3-4	视频内存测试失败
1-3	视频内存测试失败	3-4-1	屏幕初始化失败
1-3-1 至 2-4-4	未正确识别或使用内存	3-4-2	屏幕回扫失败
3-1-1	从 DMA 寄存器故障	3-4-3	搜索视频 ROM 失败
3-1-2	主 DMA 寄存器故障	4-2-1	无计时器嘀嗒信号
3-1-3	主中断屏蔽寄存器故障	4-2-2	关闭系统失败
4-2-3	A20 门电路故障	4-4-1	串行或并行端口测试失败
4-2-4	保护模式中出现意外中断	4-4-2	无法将代码解压缩至阴影内存
4-3-1	0FFFh 以上地址出现内存故障	4-4-3	数学协处理器测试失败
4-3-3	计时器芯片计数器 2 出现故障	4-4-4	高速缓存测试失败
4-3-4	计时时钟停止		

## 解决软硬件不兼容问题

如果某个设备在操作系统安装时未被检测到，或虽然被检测到但配置不正确，则可以使用“硬件疑难解答”来解决不兼容问题。

- 1 单击 **Start**（开始）按钮，然后单击 **Help and Support**（帮助和支持）。
- 2 在 **Search**（搜索）字段中键入 **hardware troubleshooter**（硬件疑难解答），然后单击箭头开始搜索。
- 3 在 **Search Results**（搜索结果）列表中单击 **Hardware Troubleshooter**（硬件疑难解答）。
- 4 在 **Hardware Troubleshooter**（硬件疑难解答）列表中，单击 **I need to resolve a hardware conflict on my computer**（我需要解决计算机上的硬件冲突），然后单击 **Next**（下一步）。

## 使用 Microsoft Windows XP 系统还原

Microsoft Windows XP 操作系统提供了“系统还原”功能，如果对硬件、软件或其它系统设置所作的更改使计算机处于不良的运行状态，可使用此功能将计算机还原到较早的运行状态（不对数据文件产生影响）。有关使用“系统还原”的信息，请参阅“Windows 帮助和支持中心”。要访问“Windows 帮助和支持中心”，请参阅在第 66 页上的“Windows 帮助和支持中心”。



**注意：**定期备份您的数据文件。“系统还原”功能不会监控或恢复数据文件。

### 创建还原点

- 1 单击 **Start**（开始）按钮，然后单击 **Help and Support**（帮助和支持）。
- 2 单击 **System Restore**（系统还原）。
- 3 遵循屏幕上的说明操作。

### 将计算机还原为较早的运行状态



**注意：**在将计算机还原到较早的运行状态之前，请保存并关闭任何打开的文件并退出任何开启的程序。在系统还原完成之前，请勿更改、打开或删除任何文件或程序。

- 1 单击 **Start**（开始）按钮，指向 **All Programs**（所有程序）→ **Accessories**（附件）→ **System Tools**（系统工具），然后单击 **System Restore**（系统还原）。
- 2 确保选择 **Restore my computer to an earlier time**（还原我的计算机到一个较早的时间），然后单击 **Next**（下一步）。
- 3 要将计算机还原到某个日期，请在日历中单击该日期。  
**Select a Restore Point**（选择一个还原点）屏幕提供了一个允许您查看并选择还原点的日历。所有可用还原点的日历日期均用粗体显示。
- 4 选择一个还原点，然后单击 **Next**（下一步）。

如果日历日期只有一个还原点，则会自动选择该还原点。如果提供了两个或更多还原点，请单击需要的还原点。

- 5 单击 **Next**（下一步）。

在“系统还原”完成数据收集之后，**Restoration Complete**（还原完成）屏幕将显示，随后计算机将重新启动。

- 6 在计算机重新启动之后，请单击 **OK**（确定）。

要更改还原点，您可以使用不同的还原点重复以上步骤，也可以撤销还原。

### 撤销上一个系统还原



**注意：**在撤销上一个系统还原之前，请保存并关闭所有打开的文件并退出任何开启的程序。在系统还原完成之前，请勿更改、打开或删除任何文件或程序。

- 1 单击 **Start**（开始）按钮，指向 **All Programs**（所有程序）→ **Accessories**（附件）→ **System Tools**（系统工具），然后单击 **System Restore**（系统还原）。
- 2 单击 **Undo my last restoration**（撤销我上次的还原），并单击 **Next**（下一步）。
- 3 单击 **Next**（下一步）。  
**System Restore**（系统还原）屏幕将出现，随后计算机将重新启动。
- 4 在计算机重新启动之后，请单击 **OK**（确定）。

### 启用系统还原

如果您重新安装 Windows XP 时可用的空闲硬盘空间小于 200MB，“系统还原”将被自动禁用。要验证是否已启用“系统还原”：

- 1 单击 **Start**（开始）按钮，并单击 **Control Panel**（控制面板）。
- 2 单击 **Performance and Maintenance**（性能和维护）。
- 3 单击 **System**（系统）。
- 4 单击 **System Restore**（系统还原）选项卡。
- 5 确保未选中 **Turn off System Restore**（关闭系统还原）。

## 重新安装 Microsoft Windows XP

### 使用入门




**注：**本说明文件中的步骤为 Windows XP Home Edition 中的 Windows 默认视图编写，因此如果您将 Dell™ 计算机设定为 Windows 传统视图或使用 Windows XP Professional，所述步骤将不同。

如果您考虑重新安装 Windows XP 操作系统来修复由新安装的驱动程序引起的问题，请先尝试使用 Windows XP 的“设备驱动程序恢复”。



- 1 单击 **Start**（开始）按钮，然后单击 **Control Panel**（控制面板）。
- 2 在 **Pick a category**（选择一个类别）下，单击 **Performance and Maintenance**（性能和维护）。
- 3 单击 **System**（系统）。
- 4 在 **System Properties**（系统属性）窗口中，单击 **Hardware**（硬件）选项卡。

- 5 单击 **Device Manager**（设备管理器）。
- 6 在安装了新的驱动程序的设备上单击鼠标右键，并单击 **Properties**（属性）。
- 7 单击 **Drivers**（驱动程序）选项卡。
- 8 单击 **Roll Back Driver**（回退驱动程序）。

如果“设备驱动程序恢复”无法解决该问题，请使用“系统还原”（请参阅在第 110 页上的“使用 Microsoft Windows XP 系统还原”）以将操作系统恢复到安装新设备驱动程序前的运行状态。

 **注：***Drivers and Utilities* CD 包含在计算机装配期间安装的驱动程序。使用 *Drivers and Utilities* CD 载入任何必需的驱动程序，如果您的计算机备有 RAID 控制器，则还包括 RAID 控制器所需的驱动程序。

### 重新安装 Windows XP 或以后重新安装 Windows XP 时



-  **注意：**必须使用 Windows XP Service Pack 1（Windows XP 服务软件包 1）。
-  **注意：**在执行安装之前，请备份主硬盘驱动器上的所有数据文件。对于常规硬盘驱动器配置，主硬盘驱动器是计算机检测到的第一个驱动器。

要重新安装 Windows XP，您需要使用：

- Dell *Operating System* CD（操作系统 CD）
- Dell *Drivers and Utilities* CD

要重新安装 Windows XP，请按所列出的顺序执行以下各节中的所有步骤。

重新安装过程可能需要 1 到 2 个小时才能完成。在重新安装操作系统之后，还必须重新安装设备驱动程序、防病毒程序和其它软件。

-  **注意：***Operating System* CD（操作系统 CD）提供了重新安装 Windows XP 的选项。这些选项可能覆盖某些文件，并且可能影响到您的硬盘驱动器上安装的程序。因此，除非 Dell 技术支持部门的代表指示您这样做，否则请不要重新安装 Windows XP。
-  **注意：**为防止与 Windows XP 发生冲突，请在重新安装 Windows XP 之前，禁用您计算机上安装的任何防病毒软件。有关说明，请参阅软件附带的说明文件。

### 从 *Operating System* CD（操作系统 CD）引导

- 1 保存并关闭任何打开的文件，并退出任何开启的程序。
- 2 插入 *Operating System* CD（操作系统 CD）。如果 **Install Windows XP**（安装 Windows XP）信息出现，请单击 **Exit**（退出）。
- 3 重新启动计算机。
- 4 DELL 徽标出现之后，立刻按 <F12>。  
如果操作系统徽标出现，请等到看见 Windows 桌面后，关闭计算机并再试。
- 5 按箭头键选择 **CD-ROM**，并按 <Enter> 键。
- 6 当 **Press any key to boot from CD**（按任意键以从 CD 引导）信息出现时，请按任意键。



## Windows XP 安装程序

- 1 当 Windows XP Setup (Windows XP 安装程序) 屏幕出现时, 请按 <Enter> 键选择 **To set up Windows now** (立刻安装 Windows)。
- 2 阅读 **Microsoft Windows Licensing Agreement** (Microsoft Windows 许可协议) 屏幕上的信息, 并按 <F8> 键接受该许可协议。
- 3 如果您的计算机中已安装 Windows XP, 而您想恢复当前 Windows XP 的数据, 请键入 “r” 来选择修复选项, 并取出 CD。
- 4 如果您要全新安装 Windows XP, 请按 <Esc> 键选择该选项。
- 5 按 <Enter> 键选择高亮度显示的分区 (推荐), 并请遵循屏幕上的说明操作。

Windows XP Setup (Windows XP 安装程序) 屏幕出现, 并且操作系统开始复制文件及安装设备。计算机将多次自动重新启动。



**注:** 完成安装所需时间取决于硬盘驱动器的大小和您的计算机的速度。



**注意:** 当下列信息出现时请勿按任何键: Press any key to boot from the CD (按任意键从 CD 引导)。

- 6 当 **Regional and Language Options** (区域和语言选项) 屏幕出现时, 请选择您所在地区的设置, 并单击 **Next** (下一步)。
- 7 在 **Personalize Your Software** (自定义软件) 屏幕中输入您的姓名和组织 (可选), 并单击 **Next** (下一步)。
- 8 在 **Computer Name and Administrator Password** (计算机名称和系统管理员密码) 窗口中, 为您的计算机输入名称 (或接受所提供的名称) 和密码, 并单击 **Next** (下一步)。
- 9 如果 **Modem Dialing Information** (调制解调器拨号信息) 屏幕出现, 请输入需要的信息, 并单击 **Next** (下一步)。
- 10 在 **Date and Time Settings** (日期和时间设置) 窗口中输入日期、时间和时区, 并单击 **Next** (下一步)。
- 11 如果 **Networking Settings** (网络设置) 屏幕出现, 请单击 **Typical** (典型), 并单击 **Next** (下一步)。
- 12 如果您重新安装 Windows XP Professional 时提示您提供有关您的网络配置的更详细信息, 请输入您的选择。如果您对设置没有把握, 请接受默认选择。

Windows XP 将安装操作系统组件并配置计算机。计算机将自动重新启动。



**注意:** 当下列信息出现时请勿按任何键: Press any key to boot from the CD (按任意键从 CD 引导)。

- 13 当 **Welcome to Microsoft** (欢迎选择 Microsoft) 屏幕出现时, 请单击 **Next** (下一步)。
- 14 当 **How will this computer connect to the Internet?** (此计算机将如何连接到网络?) 信息出现时, 请单击 **Skip** (跳过)。
- 15 当 **Ready to register with Microsoft?** (现在与 Microsoft 注册吗?) 屏幕出现时, 请选择 **No, not at this time** (否, 现在不注册), 并单击 **Next** (下一步)。

- 16 当 **Who will use this computer?**（谁将使用这台计算机？）屏幕出现时，您可以最多输入五位用户。
- 17 单击 **Next**（下一步）。
- 18 单击 **Finish**（完成）完成安装，并取出 CD。
- 19 使用 *Drivers and Utilities* CD。
- 20 重新安装防病毒软件。
- 21 重新安装各种程序。



**注：**要重新安装或激活您的 Microsoft Office 或 Microsoft Works Suite 程序，您需要提供产品密钥号码，该号码位于 Microsoft Office 或 Microsoft Works Suite CD 封套的背面。

## 使用 Drivers and Utilities CD

在运行 Windows 操作系统时使用 *Drivers and Utilities* CD（*ResourceCD*）。



**注：**要访问设备驱动程序和用户说明文件，您必须在运行 Windows 的计算机上使用 *Drivers and Utilities* CD。

- 1 开启计算机，并让它引导至 Windows 桌面。
- 2 将 *Drivers and Utilities* CD 插入 CD 驱动器。  
如果您是在此计算机上第一次使用 *Drivers and Utilities* CD，**ResourceCD Installation**（*ResourceCD* 安装）窗口将打开，通知您 *Drivers and Utilities* CD 即将开始安装。
- 3 单击 **OK**（确定）以继续。  
要完成安装过程，请回应安装程序给出的提示。
- 4 在 **Welcome Dell System Owner**（欢迎 Dell 系统的主人）屏幕上单击 **Next**（下一步）。

选择适当的 **System Model**（系统型号）、**Operating System**（操作系统）、**Device Type**（设备类型）及 **Topic**（主题）。

### 用于您计算机的驱动程序

要显示您的计算机的设备驱动程序列表：

- 1 在 **Topic**（主题）下拉式菜单中，单击 **My Drivers**（我的驱动程序）。  
*Drivers and Utilities* CD（可选）将扫描计算机的硬件和操作系统，随后屏幕上将显示您系统配置的设备驱动程序列表。
- 2 单击适当的驱动程序，并按照说明将驱动程序下载至您的计算机。

要查看您的计算机的所有可用驱动程序，请单击 **Topic**（主题）下拉式菜单中的 **Drivers**（驱动程序）。

# 索引

## A

安全说明, 66

安装部件

开始之前, 83

## B

帮助和支持中心, 66

帮助文件

Windows 帮助和支持中心,  
66

哔声代码, 108

标签

Microsoft Windows, 67

服务标签, 67

## C

CD

操作系统, 66

操作系统

重新安装, 66

重新安装 Windows XP, 111

产品信息指南, 66

冲突

软硬件不兼容问题, 110

重新安装

Windows XP, 111

错误信息

系统指示灯, 105

诊断指示灯, 106

哔声代码, 108

## D

Drivers and Utilities CD, 65

Dell 诊断程序, 103

Dell 支持站点, 67

担保信息, 66

电源

指示灯, 73, 77

电源指示灯

诊断问题使用, 105

## F

服务标签, 67

## G

盖板

卸下, 83

故障排除

Dell 诊断程序, 103

帮助和支持中心, 66

还原计算机至先前的操作状  
态, 110

系统指示灯, 105

诊断指示灯, 106

哔声代码, 108

管制信息, 66

## I

IRQ 冲突, 110

## M

主板。请参阅 系统板

## O

Operating System CD (操作  
系统 CD), 66

## Q

驱动程序

列表, 114

## R

人机工程学信息, 66

软件

冲突, 110

## S

说明文件

安全, 66

产品信息指南, 66

担保, 66

管制, 66

人机工程学, 66

- 用户指南, 65
- 在线, 67
- 最终用户许可协议, 66

## W

- Windows XP
  - 安装程序, 113
  - 帮助和支持中心, 66
  - 系统还原, 110
  - 硬件疑难解答, 110
  - 重新安装, 66, 111

问题

- 冲突, 110

问题。请参阅 *故障排除*

## X

- 系统板, 90, 93, 99
- 系统还原, 110

## Y

疑难解答

- 冲突, 110

- 硬件疑难解答, 110

硬件

- Dell 诊断程序, 103

- 冲突, 110

- 哔声代码, 108

硬件疑难解答, 110

用户指南, 65

## Z

诊断程序

- Dell 诊断程序, 103

- 哔声代码, 108

支持 Web 站点, 67

指示灯

- 电源, 73, 77

- 系统, 105

- 诊断程序, 106

最终用户许可协议, 66

Dell™ OptiPlex™ 745

# 快速參考指南

機型 DCTR, DCNE, DCSM, 和 DCCY

[www.dell.com](http://www.dell.com) | [support.dell.com](http://support.dell.com)

## 註、注意與警告



**註**：註表示可以幫助您更有效地使用電腦的重要資訊。



**注意**：注意事項表示潛在損壞至硬體或資料損壞和告訴您如何避免問題。



**警告**：警告表示可能的財產損失、人身傷害或死亡。

如果您購買了 Dell™ n 系列電腦，則本文件中任何有關 Microsoft® Windows® 作業系統的引用皆不適用。

---

本文件中的資訊如有變更，恕不另行通知。

© 2006 Dell Inc. 版權所有，翻印必究。

未經 Dell Inc. 的書面許可，不得以任何形式進行複製。

本文件中使用的商標：Dell、DELL 徽標、Inspiron、Dell Precision、Dimension、OptiPlex、Latitude、PowerEdge、PowerVault、PowerApp 和 Dell OpenManage 是 Dell Inc. 商標；Intel、Pentium 和 Celeron 是 Intel Corporation 的註冊商標；Microsoft 和 Windows 是 Microsoft Corporation 註冊商標。

本文件中使用的其他商標與商品名稱是指擁有這些標誌及名稱的公司或其產品。Dell Inc. 對不屬於自己的商標與商品名稱不擁有任何專有權益。

機型 DCTR, DCNE, DCSM, 和 DCCY

8 月 2006 年

P/N FH895

修訂版 A00


# 目錄

<b>查找資訊</b> . . . . .	<b>121</b>
<b>系統檢視</b> . . . . .	<b>124</b>
迷你直立型電腦 — 前視圖 . . . . .	124
迷你直立型電腦 — 後視圖 . . . . .	126
迷你直立型電腦 — 背面板連接器 . . . . .	127
桌上型電腦 — 前視圖 . . . . .	128
桌上型電腦 — 後視圖 . . . . .	129
桌上型電腦 — 背面板連接器 . . . . .	130
小型電腦 — 前視圖 . . . . .	131
小型電腦 — 後視圖 . . . . .	133
小型電腦 — 背面板連接器 . . . . .	133
超小型電腦 — 前視圖 . . . . .	135
超小型電腦 — 側視圖 . . . . .	136
超小型電腦 — 後視圖 . . . . .	136
超小型電腦 — 背面板連接器 . . . . .	137
<b>移除主機蓋</b> . . . . .	<b>138</b>
開始操作之前 . . . . .	138
迷你直立型電腦 . . . . .	139
桌上型電腦 . . . . .	140
小型電腦 . . . . .	141
超小型電腦 . . . . .	143
<b>您的電腦內部</b> . . . . .	<b>145</b>
迷你直立型電腦 . . . . .	145
桌上型電腦 . . . . .	148
小型電腦 . . . . .	151
超小型電腦 . . . . .	154
<b>安裝電腦</b> . . . . .	<b>156</b>
安裝鍵盤與滑鼠 . . . . .	157
安裝監視器 . . . . .	158
電源連線 . . . . .	158
<b>解決問題</b> . . . . .	<b>159</b>
Dell 診斷程式 . . . . .	159
系統指示燈 . . . . .	161

診斷程式指示燈 . . . . .	162
嗶聲代碼 . . . . .	164
解決軟體與硬體不相容的問題 . . . . .	165
使用 Microsoft Windows XP 系統還原 . . . . .	165
重新安裝 Microsoft Windows XP . . . . .	167
<b>使用 Drivers and Utilities CD . . . . .</b>	<b>169</b>
電腦的驅動程式 . . . . .	169
索引 . . . . .	171



## 查找資訊

 **註：**有些功能或媒體可能是另選的而可能不會隨您的電腦一起提供。有些功能或媒體可能在特定國家或地區沒有。

 **註：**其他資訊可能會隨附於您的電腦。

### 您在尋找什麼？

- 我的電腦的診斷程式
- 我的電腦的驅動程式
- 我的電腦說明文件
- 我的裝置說明文件
- 桌面系統軟體 (DSS)

### 在此查找

#### Drivers and Utilities CD (ResourceCD)

**註：** *Drivers and Utilities CD* 可能為選購，且可能不會隨您的電腦一起提供。

說明文件與驅動程式已安裝於您的電腦上。您可以使用光碟來重地新安裝驅動程式 ( 參閱 第 169 頁的「使用 Drivers and Utilities CD」)，執行 Dell Diagnostics ( 參閱 第 159 頁的「Dell 診斷程式」)，或存取您的說明文件。



讀我檔案可能包含在您的光碟，提供最新關於技術變更至您的電腦或進階的技術人員或有經驗的使用者參考資料的技術更新。

**註：** 驅動程式和說明文件更新可以在 [support.dell.com](http://support.dell.com) 中找到。

- 如何卸下與更換部件
- 規格
- 如何組態系統設定
- 如何故障排除與解決問題

#### Dell™ OptiPlex™ 使用者指南

Microsoft Windows XP 說明與支援中心

1 單按啓動 → 說明與支援 → Dell 使用者與系統指南 → 系統指南。

2 為您的電腦單按 *使用者指南*。

*使用者指南* 在可選性質的 *Drivers and Utilities CD* 上亦能找到。

---

## 您在尋找什麼？

- 保固資訊
- 條款與條件 ( 僅限美國 )
- 安全說明
- 管制資訊
- 人體工學資訊
- 一般使用者授權合約

---

## 在此查找

### Dell™ 產品資訊指南



- 
- 如何重新安裝我的作業系統

### 作業系統光碟

**註：** *Operating System* ( 作業系統 ) 光碟可能是另選的且可能不會隨您的電腦一起提供。

作業系統已安裝於您的電腦中。重新安裝您的作業系統，使用 *作業系統光碟* ( 參閱 第 167 頁的「重新安裝 Microsoft Windows XP」 )。



在您重新安裝您的作業系統之後，使用可選的 CD ( *ResourceCD* ) 為隨附您的電腦之裝置來重新安裝驅動程式。如需更多資訊，請參閱第 121 頁的「Drivers and Utilities CD ( *ResourceCD* )」

您的作業系統產品號碼標籤可在您的電腦上找到 ( 參閱 第 123 頁的「Service Tag and Microsoft® Windows® Product Key」 )。

**註：** 您的 *作業系統光碟* 顏色將依據您所訂購作業系統而有所不同。

- 
- 如何使用 Windows XP
  - 如何使用程式和檔案
  - 如何將我的桌面個人化

### Windows 說明與支援中心

- 1 單按啓動 → 說明與支援。
- 2 鍵入可描述您的問題的字詞或片語，然後單按箭號圖示。
- 3 單按可描述您問題的主題。
- 4 根據螢幕上的說明操作。

---

## 您在尋找什麼？

- 服務標籤與快速服務代碼
- Microsoft Windows 產品號碼標籤

- 解決方案 — 疑難排除提示、技術人員的文章、線上課程以及常見問題解答
- 社群 — 與其他 Dell 顧客進行線上討論
- 升級 — 升級配件資訊，如記憶體，硬碟機，和作業系統
- 客戶關懷中心 — 聯絡資訊，服務呼叫、訂購狀態、保固和修理資訊
- 服務與支援 — 服務呼叫狀態、支援歷史、服務契約、和線上支援討論
- 參考 — 電腦說明文件、電腦組態的詳細資料、產品規格和白皮書
- 下載 — 認可的驅動程式、修補程式和軟體更新
- 桌上型系統軟體 (DSS) — 如果您在您的電腦重新安裝作業系統，您也應該重新安裝 DSS 公用程式。DSS 自動偵測您的電腦、作業系統、安裝適宜您的組態更新、為您的作業系統和支援 Dell™ 3.5-英寸 USB 軟碟機、Intel® 處理器、光碟機、和 USB 裝置提供重要的更新。DSS 是 Dell 電腦正確作業所必需的。

## 在此查找

### Service Tag and Microsoft® Windows® Product Key

這些標籤是在您的電腦上。

- 當您使用 [support.dell.com](http://support.dell.com) 或聯絡支援時，使用服務標籤來識別您的電腦。
- 當聯絡支援時，輸入快速服務代碼來直接您的電話。



---

### Dell 支援網站 — [support.dell.com](http://support.dell.com)

**註：**選取您的地域或企業地域來檢視適宜的支援站台。

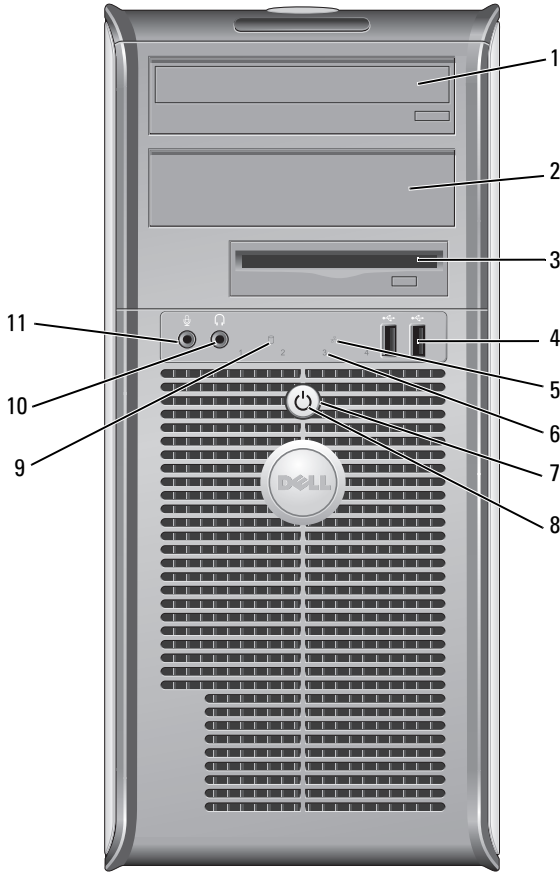
下載桌上型系統軟體：

- 1 請至 [support.dell.com](http://support.dell.com)，選取您的地域或生意區域，然後輸入您的服務標籤。
- 2 選取 **Drivers & Downloads**，然後單按執行 (Go)。
- 3 單按您的作業系統，然後搜尋關鍵字**桌上型系統軟體**。

**註：**[support.dell.com](http://support.dell.com) 的使用者介面可能因個人的選項而異。

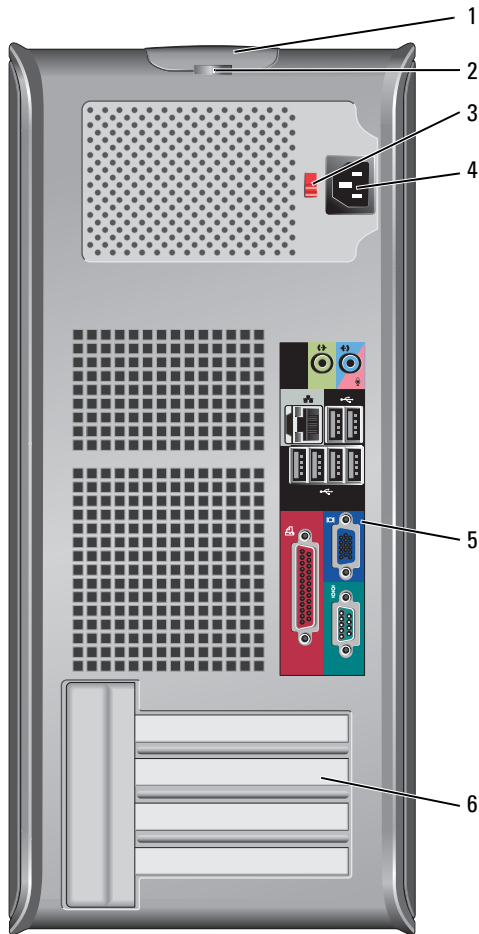
# 系統檢視

## 迷你直立型電腦 — 前視圖



- |    |                   |   |
|----|-------------------|---|
| 1  | 5.25 英寸磁碟機凹槽      | 可以容納一個光碟機。插入一個光碟或數位影碟 (如果支援) 至此磁碟機中。  |
| 2  | 5.25 英寸磁碟機凹槽      | 可以容納一個光碟機。插入一個光碟或數位影碟 (如果支援) 至此磁碟機中。  |
| 3  | 3.5 英寸磁碟機凹槽       | 包含可選軟碟機或可選媒體插卡讀取機。  |
| 4  | USB 2.0 連接埠 (2 個) | <p>使用前方 USB 連接器來連接您偶而連接裝置，如搖桿或照相機、如可啟動 USB 裝置 (參閱您線上 <i>使用者指南</i> 關於啟動至一個 USB 裝置的相關資訊)。</p> <p>在此建議您使用備份 USB 連接器連接一般需要保持連接的裝置 (例如印表機與鍵盤)。</p>   |
| 5  | LAN 指示燈           | 此指示燈表示一個區域網路連線已確立的。   |
| 6  | 診斷指示燈             | 使用指示燈以協助您根據診斷代碼對電腦問題進行故障排除。如需更多資訊，請參閱第 162 頁的「診斷程式指示燈」  |
| 7  | 電源按鈕              | <p>按下電源按鈕以開啓電腦電源。</p> <p> <b>注意：</b>為避免損失資料，請不要按下電源按鈕來關掉電腦。請用執行作業系統關機的方式。詳細資訊請參閱第 138 頁的「開始操作之前」</p> <p> <b>注意：</b>若您的作業系統已經啓用了 ACPI，當您按下電源按鈕時電腦將執行作業系統關機。</p>  |
| 8  | 電源指示燈             | <p>電源指示燈藉由照明、閃爍或穩定亮起以表示不同操作模式：</p> <ul style="list-style-type: none"> <li>• 指示燈未亮 — 電腦的電源已經關閉。</li> <li>• 穩定綠燈 — 電腦處於正常作業狀態。</li> <li>• 閃爍綠燈 — 電腦處於省電模式。</li> <li>• 閃爍或穩定的琥珀色光 — 參閱您的線上 <i>使用者指南</i>。</li> </ul> <p>若要自省電模式離開，按下電源按鈕。如果鍵盤或滑鼠在 Windows 裝置管理員中被組態為喚醒裝置則亦可以使用其自省電模式中離開。若要知道關於睡眠模式與離開省電模式的更多資訊，請參閱您的線上 <i>使用者指南</i>。</p> <p>參閱關於指示燈代碼的說明將有助於針對您電腦的問題作故障排除第 161 頁的「系統指示燈」。</p> |
| 9  | 硬碟機動作指示燈          | 正在存取硬碟時，此指示燈將會閃爍。   |
| 10 | 耳機連接器             | 使用耳機連接埠連接大多數類型的喇叭連接。  |
| 11 | 麥克風連接器            | 使用麥克風連接器連接麥克風。  |

## 迷你直立型電腦 — 後視圖



- 1 蓋板釋放門鎖
- 2 掛鎖扣環
- 3 電壓選擇開關

此栓允許您打開主機蓋。

將掛鎖插入以鎖定主機蓋。

您的電腦備有手動電壓選擇開關。

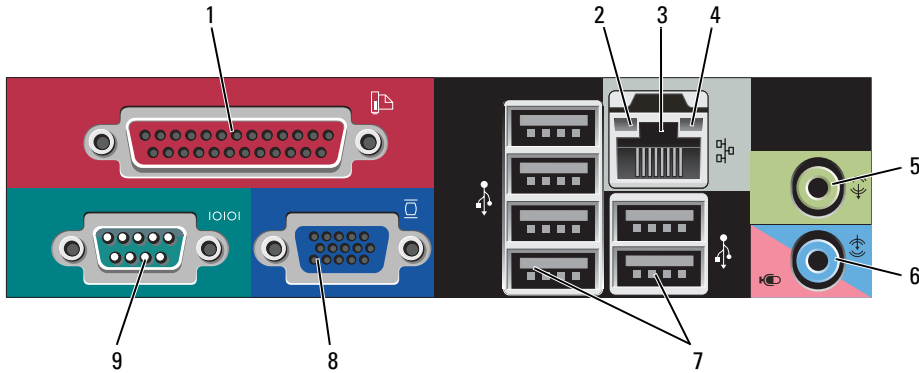
為避免損壞帶有手動電壓選擇開關的電腦，請將開關撥到與當地交流電供給電壓最接近的位置。

**注意：**電壓選擇開關必須設定到 115 V 位置，即使日本當地的交流電供給電壓為 100 V。

也請確認您的顯示器及其他連接裝置的額定電力允許使用當地可獲得的電源操作。

- |   |        |  |
|---|--------|--|
| 4 | 電源連接器  | 插入電源線。   |
| 5 | 背面板連接器 | 插頭序列、USB、和其它裝置進入適宜的連接器 ( 參閱 第 127 頁的「迷你直立型電腦 — 背面板連接器」)。 |
| 6 | 插槽     | 已安裝的 PCI 與 PCI Express( 快速 ) 卡的連接埠。                      |

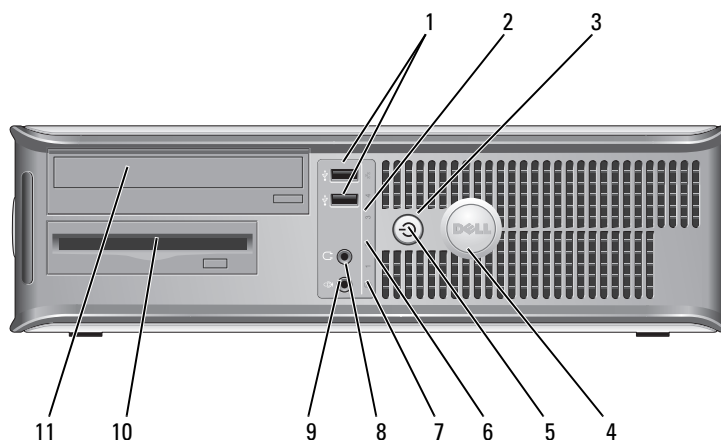
## 迷你直立型電腦 — 背面板連接器



- |   |                |  |
|---|----------------|--|
| 1 | 並列連接器          | 將並列裝置，例如印表機，連接到並列連接器。如果您擁有 USB 印表機，將它的插頭插入 USB 連接器。<br><b>註：</b> 若電腦偵測到包含並列連接器的已安裝插卡設定到相同的位址，則整合並列連接器將自動停用。如需更多資訊，請參閱 您的線上使用者指南。   |
| 2 | 連結完整性指示燈       | <ul style="list-style-type: none"> <li>• 綠燈 — 10-Mbps 網路與電腦之間的連線狀況良好。</li> <li>• 橘燈 — 100-Mbps 網路與電腦之間的連線狀況良好。</li> <li>• 黃燈 — 1000-Mbps (1-Gbps) 網路與電腦之間的連線狀況良好。</li> <li>• 熄滅 — 電腦未偵測到連接到網路的實體連線。</li> </ul>     |
| 3 | 網路配接器的連接器      | 若要連接您的電腦到網路或寬頻裝置，將網路纜線的一端連接到網路插孔或您的網路或寬頻裝置。網路纜線的另一端則連接到您的電腦背面板上的網路配接器。單按表示網路纜線已經穩固連接。<br><b>註：</b> 請勿將電話纜線連到網路連接器中。<br>在電腦上網路連接器插卡，使用在插卡上的連接器。<br>在此建議您的網路使用類別 5 接線與連接器。若您必須使用類別 3 接線，請將網路速度強迫設定為 10 Mbps 以確保可靠運作。 |
| 4 | 網路活動指示燈        | 閃爍 — 黃色燈是當電腦傳送或收到網路資料。高網路資訊流量可能使得指示燈看起來好像處於一穩定「開啓」狀態。  |
| 5 | 信號輸出連接器        | 使用綠色信號線輸出連接器以連接大多數集合放大器喇叭。   |
| 6 | 訊號線輸入 / 麥克風連接器 | 使用藍色和粉紅色訊號線輸入 / 麥克風連接器至連接記錄 / 播放裝置，如一個卡帶播放機、CD 播放機、或 VCR.; 或可將聲音或音樂輸入聲音或通話程式的個人電腦麥克風。  |

- 7 USB 2.0 連接器 (6 個) 使用背面的 USB 連接器連接一般需要保持連接的裝置 (例如印表機與鍵盤)。
- 8 影像連接器 將纜線插頭自您的 VGA- 相容顯示器插入藍色連接器。  
**註:**若您購買了可選圖形卡, 連接器將由護蓋覆蓋住。將您的顯示器連接到圖形卡上的連接器。請勿卸下護蓋。  
**註:**若您使用可同時支援兩台顯示器的圖形卡, 使用隨您的電腦一起提供的 Y 型纜線。
- 9 序列連接器 連接序列裝置, 例如掌上裝置, 到序列埠。序列連接器 1 的預設目的地為 COM1, 序列連接器 2 的預設目的地則為 COM2。  
 如需更多資訊, 請參閱您的線上 *使用者指南*。

## 桌上型電腦 — 前視圖

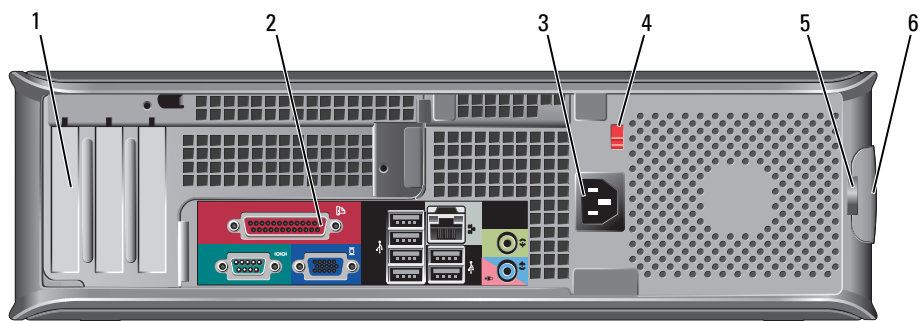


- 1 USB 2.0 連接埠 (2 個) 使用前方 USB 連接器來連接您偶爾連接裝置, 如搖桿或照相機、如可啓動 USB 裝置 (參閱您線上 *使用者指南* 關於啓動至一個 USB 裝置的相關資訊)。在此建議您使用備份 USB 連接器連接一般需要保持連接的裝置 (例如印表機與鍵盤)。
- 2 LAN 指示燈 此指示燈表示一個區域網路連線是確立的。
- 3 電源按鈕 按下電源按鈕以開啓電腦電源。  
**➡ 注意:**為避免損失資料, 請不要按下電源按鈕來關掉電腦。請用執行作業系統關機的方式。詳細資訊請參閱第 138 頁的「開始操作之前」  
**➡ 注意:**若您的作業系統已經啓用了 ACPI, 當您按下電源按鈕時電腦將執行作業系統關機。
- 4 Dell 名牌 這個名牌可以旋轉以符合您的電腦的方向旋轉, 將手指放在名牌外圍, 穩固按下, 然後轉名牌。您亦可使用在接近名牌底部位置提供的插槽旋轉名牌。



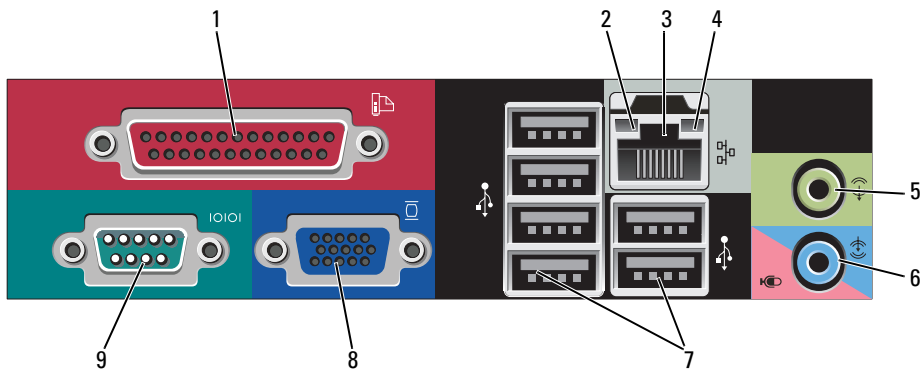
- 5 電源指示燈 電源指示燈閃亮或閃爍或持續不變均表示不同的作業狀態：
- 指示燈未亮 — 電腦的電源已經關閉。
  - 穩定綠燈 — 電腦處於正常作業狀態。
  - 閃爍綠燈 — 電腦處於省電模式。
  - 閃爍或穩定琥珀色 — 參閱您的線上*使用者指南*。
- 若要自省電模式離開，按下電源按鈕。如果鍵盤或滑鼠在 Windows 裝置管理員中被組態為喚醒裝置則亦可以使用其自省電模式中離開。若要知道關於睡眠模式與離開省電模式的更多資訊，請參閱 您的線上*使用者指南*。
- 參閱關於指示燈代碼的說明將有助於針對您電腦的問題作故障排除第 161 頁的「系統指示燈」。
- 6 診斷指示燈 使用指示燈以協助您根據診斷代碼對電腦問題進行故障排除。如需更多資訊，請參閱 第 162 頁的「診斷程式指示燈」。
- 7 硬碟機動作指示燈 正在存取硬碟時，此指示燈將會閃爍。
- 8 耳機連接器 使用耳機連接埠將可連接大多數類型的喇叭。
- 9 麥克風連接器 使用麥克風連接器連接麥克風。
- 10 3.5 英寸磁碟機凹槽 能容納一個可選軟碟機或可選媒體插卡讀取機。
- 11 5.25 英寸磁碟機凹槽 能容納一個光碟機。插入一個光碟或數位影碟 ( 如果支援 ) 至此磁碟機中。

## 桌上型電腦 — 後視圖



- |   |        |  |
|---|--------|--|
| 1 | 插槽     | 已安裝的 PCI 與 PCI Express( 快速 ) 卡的連接埠。  |
| 2 | 背面板連接器 | 插頭序列、USB、和其它裝置進入適宜的連接器 ( 參閱 第 130 頁的「桌上型電腦 — 背面板連接器」)。   |
| 3 | 電源連接器  | 插入電源線。   |
| 4 | 電壓選擇開關 | 您的電腦是備有一個手動電壓選擇開關。<br>為避免損壞帶有手動電源選擇開關的電腦，請將開關撥到與當地交流電供給電壓最接近的位置。<br><b>➡ 注意：</b> 電壓選擇開關必須設定到 115 V 位置，即使日本當地的交流電供給電壓為 100 V。<br>也請確認您的顯示器及其他連接裝置的額定電力允許使用當地可獲得的電源操作。 |
| 5 | 掛鎖扣環   | 將掛鎖插入以鎖定主機蓋。   |
| 6 | 蓋板釋放門鎖 | 允許您開啓主機蓋。  |

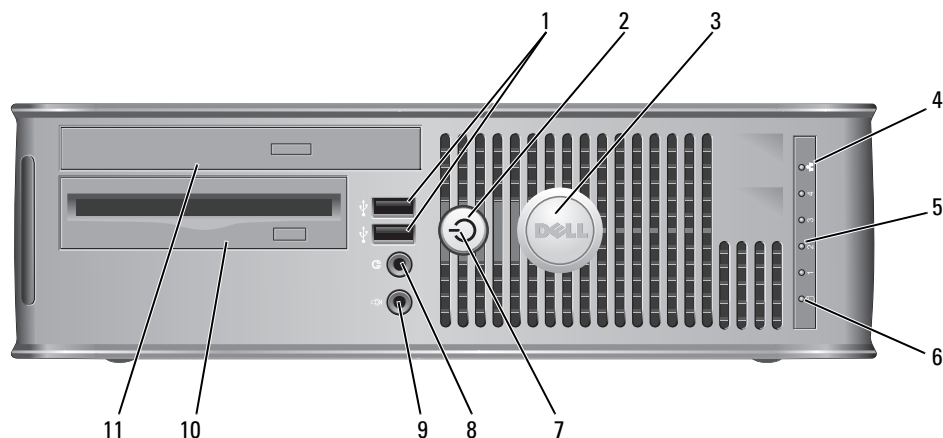
## 桌上型電腦 — 背面板連接器




- |   |          |  |
|---|----------|--|
| 1 | 並列連接器    | 將並列裝置，例如印表機，連接到並列連接器。如果您擁有 USB 印表機，將它的插頭插入 USB 連接器。<br><b>註：</b> 若電腦偵測到包含並列連接器的已安裝插卡設定到相同的位址，則整合並列連接器將自動停用。如需更多資訊，請參閱 您的線上 <i>使用者指南</i> 。  |
| 2 | 連結完整性指示燈 | <ul style="list-style-type: none"> <li>• 綠燈 — 10-Mbps 網路與電腦之間的連線狀況良好。</li> <li>• 橘燈 — 100-Mbps 網路與電腦之間的連線狀況良好。</li> <li>• 黃燈 — 1000-Mbps (1-Gbps) 網路與電腦之間的連線狀況良好。</li> <li>• 熄滅 — 電腦未偵測到連接到網路的實體連線。</li> </ul> |

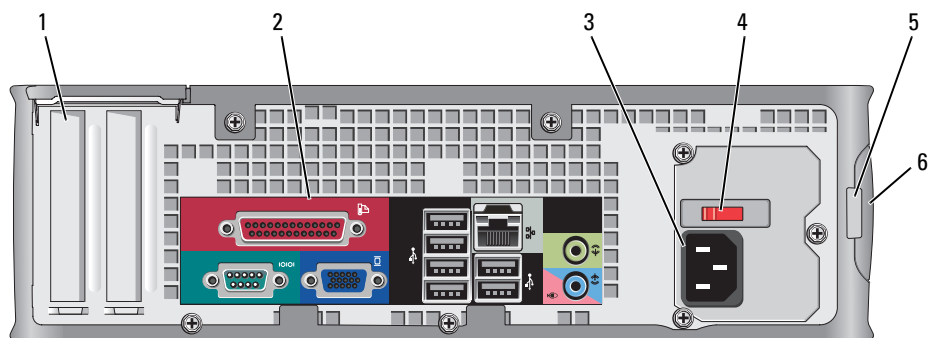
- |   |                   |  |
|---|-------------------|--|
| 3 | 網路配接器的連接器         | <p>若要連接您的電腦到網路或寬頻裝置，將網路纜線的一端連接到網路插孔或您的網路或寬頻裝置。網路纜線的另一端則連接到您的電腦背面板上的網路配接器。單按表示網路纜線已經穩固連接。</p> <p><b>註：</b>請勿將電話纜線插到網路連接器。</p> <p>在電腦上的網路連接器插卡，使用在插卡上的連接器。</p> <p>在此建議您的網路使用類別 5 接線與連接器。若您必須使用類別 3 接線，請將網路速度強迫設定為 10 Mbps 以確保可靠運作。</p> |
| 4 | 網路活動指示燈           | 當電腦傳送或收到網路資料時，將閃爍黃色指示燈。高網路資訊流量可能使得指示燈看起來好像處於一穩定「開啓」狀態。   |
| 5 | 信號輸出連接器           | 使用綠色訊號線輸出連接器來連接大多數的集合放大器喇叭。  |
| 6 | 訊號線輸入 / 麥克風連接器    | 使用藍色和粉紅色訊號線輸入 / 麥克風連接器至連接記錄 / 播放裝置，如一個卡帶播放機、CD 播放機、或 VCR; 或可將聲音或音樂輸入聲音或通話程式的個人電腦麥克風。   |
| 7 | USB 2.0 連接器 (6 個) | 使用背面的 USB 連接器連接一般需要保持連接的裝置 (例如印表機與鍵盤)。   |
| 8 | 影像連接器             | <p>將您的 VGA- 相容 顯示器纜線插入藍色連接器。</p> <p><b>註：</b>若您購買了可選圖形卡，連接器將由護蓋覆蓋住。將您的顯示器連接到圖形卡上的連接器。請勿卸下護蓋。</p> <p><b>註：</b>若您使用可同時支援兩台顯示器的圖形卡，使用隨您的電腦一起提供的 Y 型纜線。</p>  |
| 9 | 序列連接器             | <p>連接序列裝置，例如掌上裝置到序列埠。序列連接器 1 的預設目的地為 COM1，序列連接器 2 的預設目的地則為 COM2。</p> <p>如需更多資訊，請參閱您的線上<i>使用者指南</i>。</p>  |

## 小型電腦 — 前視圖



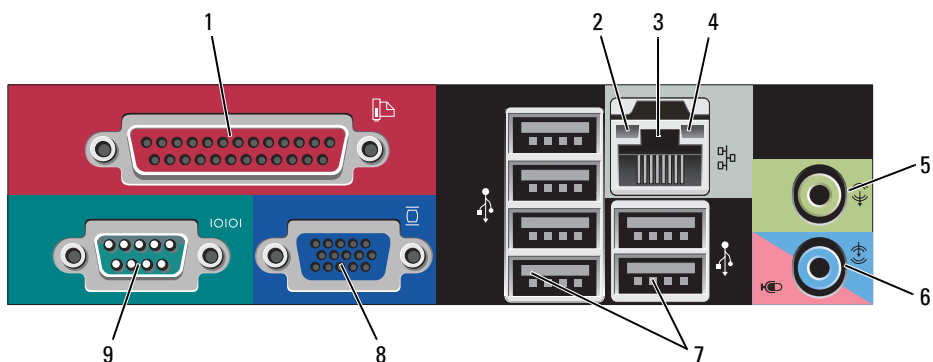
- |    |                   |   |
|----|-------------------|---|
| 1  | USB 2.0 連接埠 (2 個) | 使用前方 USB 連接器來連接您偶而連接裝置，如搖桿或照相機、如可啟動 USB 裝置 ( 參閱您線上 <i>使用者指南</i> 關於啟動至一個 USB 裝置的相關資訊 ) 。<br>在此建議您使用備份 USB 連接器連接一般需要保持連接的裝置 ( 例如印表機與鍵盤 ) 。  |
| 2  | 電源按鈕              | 按下來開啓電腦電源。<br><br> <b>注意：</b> 為避免損失資料，請不要按下電源按鈕來關掉電腦。請用執行作業系統關機的方式。詳細資訊請參閱第 138 頁的「開始操作之前」<br> <b>注意：</b> 若您的作業系統已經啓用了 ACPI，當您按下電源按鈕時電腦將執行作業系統關機。   |
| 3  | Dell 名牌           | 這個名牌可以旋轉以符合您的電腦的方向。旋轉，將手指放在名牌外圍，穩固按下，然後轉名牌。您亦可使用在接近名牌底部位置提供的插槽旋轉名牌。   |
| 4  | LAN 指示燈           | 表示區域網路連線是已建立。   |
| 5  | 診斷指示燈             | 使用指示燈以協助您根據診斷代碼對電腦問題進行故障排除。如需更多資訊，請參閱第 162 頁的「診斷程式指示燈」。   |
| 6  | 硬碟機活動指示燈          | 正在存取硬碟時，此指示燈將會閃爍。   |
| 7  | 電源指示燈             | 電源指示燈閃亮或閃爍或持續不變均表示不同的作業狀態： <ul style="list-style-type: none"> <li>• 指示燈未亮 — 電腦的電源已經關閉。</li> <li>• 穩定綠燈 — 電腦處於正常作業狀態。</li> <li>• 閃爍綠燈 — 電腦處於省電模式。</li> <li>• 閃爍或穩定琥珀色 — 參閱 您的線上 <i>使用者指南</i>。</li> </ul> <p>若要自省電模式離開，按下電源按鈕。如果鍵盤或滑鼠在 Windows 裝置管理員中被組態為喚醒裝置則亦可以使用其自省電模式中離開。若要知道關於睡眠模式與離開省電模式的更多資訊，請參閱 您的線上 <i>使用者指南</i>。</p> <p>請參閱 第 161 頁的「系統指示燈」指示燈的說明代碼可以幫助您故障排除您的電腦問題。</p> |
| 8  | 耳機連接器             | 使用耳機連接埠連接大多數類型的喇叭。  |
| 9  | 麥克風連接器            | 使用麥克風連接器連接麥克風。  |
| 10 | 3.5 英寸磁碟機凹槽       | 可以容納一個可選軟碟機或可選媒體插卡讀取機。  |
| 11 | 5.25 英寸磁碟機凹槽      | 可以容納一個光碟機。插入一個光碟或數位影碟 ( 如果支援 ) 至此磁碟機中。  |

## 小型電腦 — 後視圖



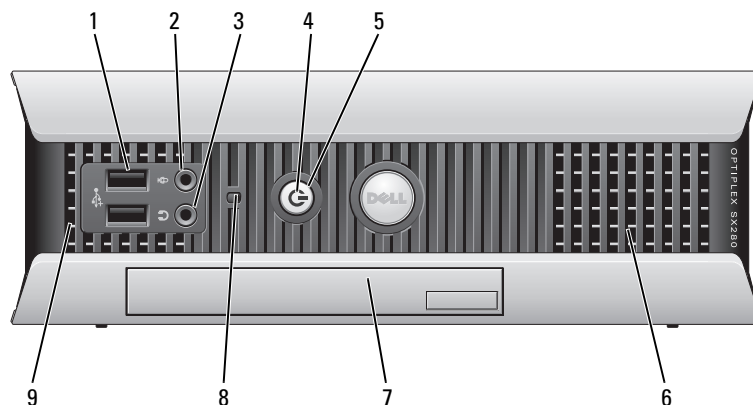
- |   |         |  |
|---|---------|--|
| 1 | 插槽      | 已安裝的 PCI 與 PCI Express( 快速 ) 卡的連接埠。                              |
| 2 | 背面板連接器  | 插頭序列、USB、和其它裝置進入適宜的連接器 ( 參閱 第 133 頁的「小型電腦 — 背面板連接器」)。            |
| 3 | 電源連接器   | 插入電源線。   |
| 4 | 電壓選擇開關  | 您的電腦是備有一個手動電壓選擇開關。<br>為避免損壞帶有手動電源選擇開關的電腦，請將開關撥到與當地交流電供給電壓最接近的位置。 |
|   |         | <b>⚠ 注意：</b> 電壓選擇開關必須設定到 115 V 位置，即使日本當地的交流電供給電壓為 100 V。         |
|   |         | 也請確認您的顯示器及其他連接裝置的額定電力允許使用當地可獲得的電源操作。                             |
| 5 | 掛鎖扣環    | 將掛鎖插入以鎖定主機蓋。   |
| 6 | 機箱蓋釋放門鎖 | 允許您開啓主機蓋。  |

## 小型電腦 — 背面板連接器



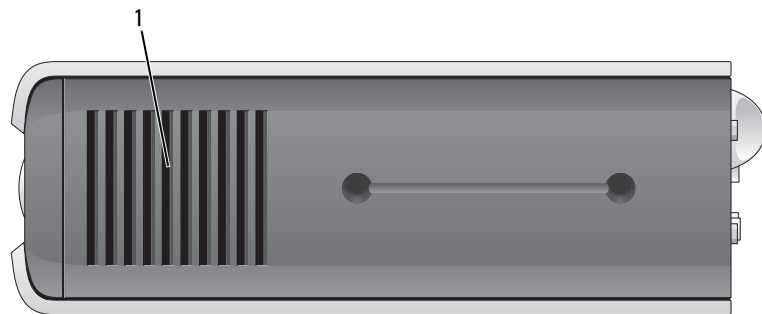
- |   |                   |   |
|---|-------------------|---|
| 1 | 並列連接器             | <p>將並列裝置，例如印表機，連接到並列連接器。如果您擁有 USB 印表機，將它的插頭插入 USB 連接器。</p> <p><b>註：</b>若電腦偵測到包含並列連接器的已安裝插卡設定到相同的位址，則整合並列連接器將自動停用。如需更多資訊，請參閱 <i>您的線上使用者指南</i>。</p>   |
| 2 | 連結完整性指示燈          | <ul style="list-style-type: none"> <li>• 綠燈 — 10-Mbps 網路與電腦之間的連線狀況良好。</li> <li>• 橘燈 — 100-Mbps 網路與電腦之間的連線狀況良好。</li> <li>• 黃燈 — 1000-Mbps (1-Gbps) 網路與電腦之間的連線狀況良好。</li> <li>• 熄滅 — 電腦未偵測到連接到網路的實體連線。</li> </ul>                      |
| 3 | 網路配接器的連接器         | <p>若要連接您的電腦到網路或寬頻裝置，將網路纜線的一端連接到網路插孔或您的網路或寬頻裝置。網路纜線的另一端則連接到您的電腦背面板上的網路配接器。單按表示網路纜線已經穩固連接。</p> <p><b>註：</b>請勿將電話纜線插到網路連接器。</p> <p>在電腦上網路連接器插卡，使用在插卡上的連接器。</p> <p>在此建議您的網路使用類別 5 接線與連接器。若您必須使用類別 3 接線，請將網路速度強迫設定為 10 Mbps 以確保可靠運作。</p> |
| 4 | 網路活動指示燈           | <p>當電腦傳送或收到網路資料時，黃色指示燈將閃爍。高網路資訊流量可能使得指示燈看起來好像處於一穩定「開啓」狀態。</p>   |
| 5 | 信號輸出連接器           | <p>使用綠色訊號線輸出連接器 (在電腦上可用的整合音效) 來連接大部份的集成放大器喇叭。</p>   |
| 6 | 訊號線輸入 / 麥克風連接器    | <p>使用藍色和粉紅色訊號線輸入 / 麥克風連接器至連接記錄 / 播放裝置，如一個卡帶播放機、CD 播放機、或 VCR; 或可將聲音或音樂輸入聲音或通話程式的個人電腦麥克風。</p>   |
| 7 | USB 2.0 連接器 (6 個) | <p>使用背面的 USB 連接器連接一般需要保持連接的裝置 (例如印表機與鍵盤)。</p>   |
| 8 | 影像連接器             | <p>將您的 VGA- 相容 顯示器纜線插入藍色連接器。</p> <p><b>註：</b>若您購買了可選圖形卡，連接器將由護蓋覆蓋住。將您的顯示器連接到圖形卡上的連接器。請勿卸下護蓋。</p> <p><b>註：</b>若您使用可同時支援兩台顯示器的圖形卡，使用隨您的電腦一起提供的 Y 型纜線。</p>   |
| 9 | 序列連接器             | <p>連接序列裝置，例如掌上裝置到序列埠。序列連接器 1 的預設目的地為 COM1，序列連接器 2 的預設目的地則為 COM2。</p> <p>如需更多資訊，請參閱您的線上 <i>使用者指南</i>。</p>  |

## 超小型電腦 — 前視圖



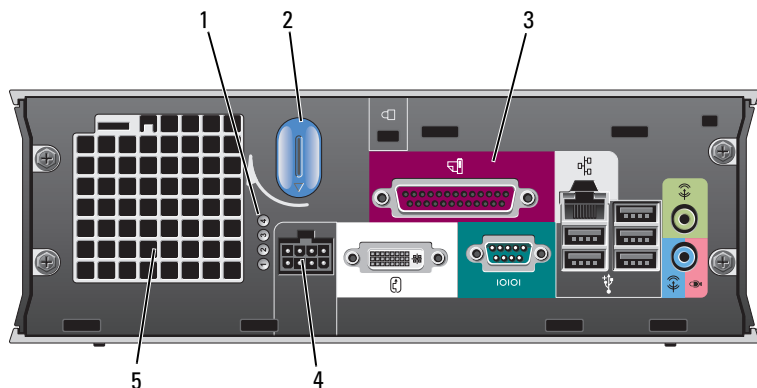
- 1 USB 連接器 (2 個)** 使用前方 USB 連接器來連接您偶而連接裝置，如搖桿或照相機、如可啓動 USB 裝置 ( 參閱您線上 *使用者指南* 關於啓動至一個 USB 裝置的相關資訊 ) 。  
在此建議您使用備份 USB 連接器連接一般需要保持連接的裝置 ( 例如印表機與鍵盤 ) 。
- 2 耳機連接器** 使用耳機連接埠將連接大多數類型的喇叭連接。
- 3 麥克風連接器** 使用麥克風連接器連接麥克風。
- 4 電源指示燈** 電源指示燈照亮和閃爍或穩定亮光來表示不同狀態：
  - 沒有指示燈亮起 — 電腦是已關閉的。
  - 穩定綠燈 — 電腦處於正常作業狀態。
  - 閃爍綠燈 — 電腦處於省電模式。
  - 閃爍或穩定黃色燈 — 參閱 您的線上 *使用者指南* 。若要自省電模式離開，按下電源按鈕。如果鍵盤或滑鼠在 Windows 裝置管理員中被組態為喚醒裝置則亦可以使用其自省電模式中離開。若要知道關於睡眠模式與離開省電模式的更多資訊，請參閱 您的線上 *使用者指南* 。  
參閱關於指示燈代碼的說明將有助於針對您電腦的問題作故障排除第 161 頁的「系統指示燈」。
- 5 電源按鈕** 按下電源按鈕以開啓電腦電源。  
**➡ 注意：**為避免損失資料，請不要按下電源按鈕來關掉電腦。請用執行作業系統關機的方式。詳細資訊請參閱第 138 頁的「開始操作之前」。
- 6 通風口** 通風口幫助避免您的電腦過熱。為確保適當通風，請勿封閉散熱通風孔。
- 7 模組支架** 安裝 D 模組光碟機，第二硬碟機，或在模組支架的軟碟機。
- 8 硬碟機活動指示燈** 硬碟機活動指示燈會在電腦自硬碟機讀取資料或寫入資料至硬碟機時亮起。硬碟機活動指示燈在裝置 ( 例如您的 CD 播放機 ) 正在運作時亦會亮起。
- 9 通風口** 通風口幫助避免您的電腦過熱。為確保適當通風，請勿封閉散熱通風孔。

## 超小型電腦 — 側視圖



- 1 通風口 通風口可在電腦的每一側找到，幫助您避免的電腦過熱。為確保適當通風，請勿封閉散熱通風孔。

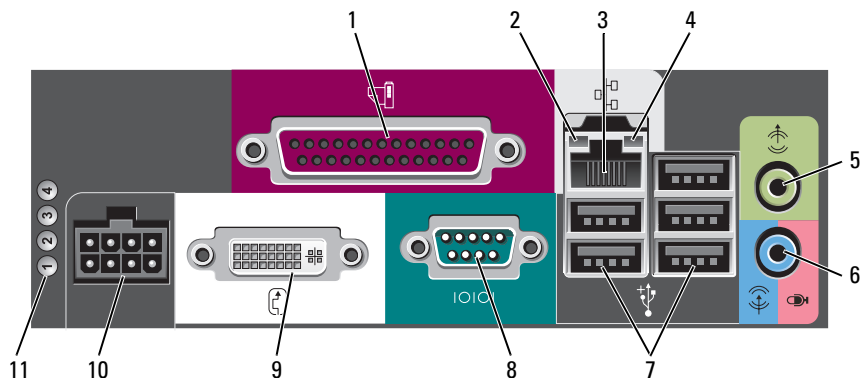
## 超小型電腦 — 後視圖



- 1 診斷指示燈 參閱關於指示燈代碼的說明將有助於針對您電腦的問題作故障排除第 162 頁的「診斷程式指示燈」。
- 2 主機蓋釋放門鎖 順時鐘方向旋轉門鎖以移除主機蓋。
- 3 背面板連接器 您的電腦連接器 (參閱第 137 頁的「超小型電腦 — 背面板連接器」)。
- 4 電源連接器 插入電源線。
- 5 通風口 此通風口幫助您避免您的電腦過熱。為確保適當通風，請勿封閉散熱通風孔。



## 超小型電腦 — 背面板連接器



- 1 並列連接器**

將並列裝置，例如印表機，連接到並列連接器。如果您擁有 USB 印表機，將它的插頭插入 USB 連接器。
- 2 連結完整性指示燈**
  - 綠燈 — 10-Mbps 網路與電腦之間的連線狀況良好。
  - 橘燈 — 100-Mbps 網路與電腦之間的連線狀況良好。
  - 黃燈 — 1000-Mbps (1-Gbps) 網路與電腦之間的連線狀況良好。
  - 熄滅 — 電腦未偵測到連接到網路的實體連線或系統設定中的網路控制器已經關閉。
- 3 網路配接器**

若要連接您的電腦到網路或寬頻裝置，將網路纜線的一端連接到網路插孔或您的網路或寬頻裝置。網路纜線的另一端則連接到您的電腦背面板上的網路配接器。單按表示網路纜線已經穩固連接。

**註：**請勿將電話纜線插到網路連接器。

在電腦的網路連接器插卡，使用在插卡上的連接器。

在此建議您的網路使用類別 5 接線與連接器。若您必須使用類別 3 接線，請將網路速度強迫設定為 10 Mbps 以確保可靠運作。
- 4 網路活動指示燈**

黃燈在電腦傳送或接收網路資料時將會閃爍。高網路資訊流量可能使得指示燈看起來好像處於一穩定「開啓」狀態。
- 5 信號輸出連接器**

使用綠色訊號線輸出連接器以連接擴大喇叭組合。
- 6 訊號線輸入 / 麥克風連接器**

使用藍色與粉紅色訊號線輸入 / 麥克風連接器至連接記錄 / 播放裝置如卡帶播放機，CD 播放機，或 VCR.; 或個人電腦聲音麥克風或音樂輸入一個聲音或電話 (通訊方式) 程式。
- 7 USB 連接器 (5 個)**

使用背面的 USB 連接器連接一般需要保持連接的裝置 (例如印表機與鍵盤)。
- 8 序列連接器**

連接序列裝置，例如掌上裝置，到序列連接器。
- 9 影像連接器**


如果您有 DVI 與相容顯示器，將纜線插頭自您的顯示器插入背面板上的白色連接器。

如果您有 VGA 顯示器，請參閱「連接 VGA 顯示器」在您的電腦的 *使用者指南*。
- 10 電源連接器**

電源配接器連接器。
- 11 診斷指示燈**


參閱關於指示燈代碼的說明將有助於針對您電腦的問題作故障排除第 162 頁的「診斷程式指示燈」。

## 移除主機蓋

 **警告：**在開始本章節中的任何程序之前，請按照*產品資訊指南*中的安全說明操作。

 **警告：**為保護您免遭電擊，在移除主機蓋之前請務必將您電腦的電源插頭從電源插座拔掉。


### 開始操作之前


 **注意：**為避免遺失資料，請儲存並關閉所有打開的檔案，然後在關閉電腦之前結束所有打開的程式。

- 1 關閉作業系統：
  - a 儲存並關閉所有打開的檔案，結束所有打開的程式，單按「開始」按鈕，然後單按「關閉電腦」。
  - b 在「關閉電腦」視窗中，單按「關閉」。  
在作業系統關機處理結之後，電腦關閉。
- 2 確定電腦及連接的所有設備均已關閉。如果在您關閉作業系統之後，電腦及連接的設備沒有自動關閉，現在請將它們關閉。


### 拆裝電腦內部組件之前

請遵守下列安全指示，以避免您的電腦受到可能的損壞，並確保您自身的安全。



 **警告：**在開始本章節中的任何程序之前，請按照*產品資訊指南*中的安全說明操作。


 **警告：**請小心拿取元件與插卡。請勿碰觸元件或插卡上的觸點。持卡時請握住卡的邊緣或其金屬固定托架。握持元件〔如處理器〕的邊緣而非其插腳。

 **注意：**僅允許合格之維修技術專員修理您的電腦。非 Dell 授權之維修所造成的損壞不在保固範圍之內。


 **注意：**中斷纜線的連接時，請拔拉其連接器或其張力釋放拉環，而非纜線本身。某些纜線有一個帶鎖定卡舌的連接器，若切斷這種纜線電源，請在切斷纜線電源之前先按下鎖定卡舌。將連接器拔出時，請將連接器對齊以免將連接器插腳折彎。此外，在連接纜線之前，請確定兩個連接器的方向正確且對齊。


為避免損壞電腦，請先執行下列步驟，再開始電腦內部的拆裝工作。

- 1 關閉您的電腦。
-  **注意：**要切斷網路纜線電源，請先將纜線從電腦上拔掉，然後再將纜線從牆上的網路插座中拔下。
- 2 斷開所有電話或電信線路與電腦的連接。
- 3 從電源插座中拔出電腦及所有與其連接的設備的電源線，然後按下電源按鈕使主機板接地。
- 4 如果可適用，卸下電腦腳架（相關說明，參閱隨附腳架說明文件）。
-  **警告：**為保護您免遭電擊，在移除主機蓋之前請務必將您電腦的電源插頭從電源插座拔掉。
- 5 取下電腦機箱蓋：
  - 卸下迷你直立型主機蓋（參閱第 139 頁的「迷你直立型電腦」）。
  - 卸下桌上型電腦蓋板（參閱第 140 頁的「桌上型電腦」）。
  - 卸下小型電腦蓋板（參閱第 141 頁的「小型電腦」）。
  - 卸下超小型電腦蓋板（參閱第 143 頁的「超小型電腦」）。

 **注意：**在接觸電腦內部任何元件之前，請觸碰未塗漆的金屬表面（如電腦後面的金屬）以導去身上的靜電。操作時，請定時觸摸未塗漆的金屬表面，以釋放可能損壞內部元件的靜電。

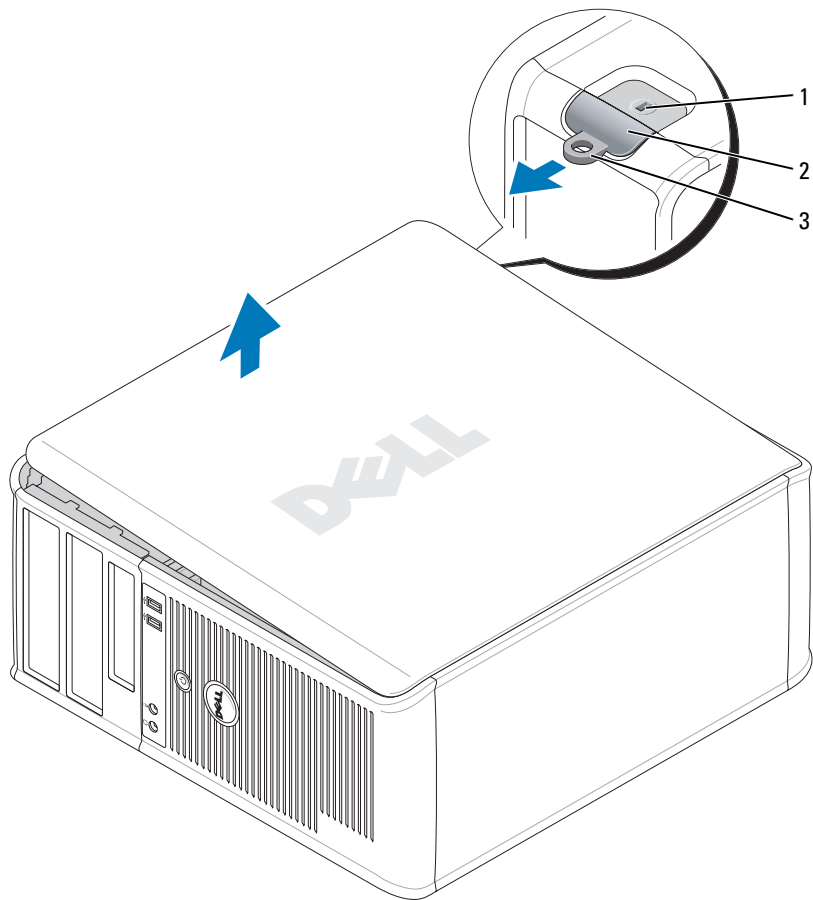
## 迷你直立型電腦

 **警告：**在開始本章節中的任何程序之前，請按照 *產品資訊指南* 中的安全說明操作。

 **警告：**為保護您免遭電擊，在移除電腦主機蓋之前，請務必將您電腦的電源插頭從電源插座拔掉。

- 1 請遵循程序第 138 頁的「開始操作之前」。
- 2 如圖所示，將電腦平躺在一側。
- 3 如圖所示，找到蓋板釋放門鎖。然後，滑動釋放門鎖回到如先前已舉起的蓋板的狀態。
- 4 緊緊夾住主機蓋的側面，以鉸鏈卡舌作為支點將主機蓋向上轉動。
- 5 將主機蓋自鉸鏈卡舌移除，然後側放在柔軟而無研磨作用的表面上。

 **警告：**在正常作業期間，圖形插卡散熱器可能變成非常熱。在您觸碰它之前，請確定圖形插卡散熱器有足夠的時間冷卻。



1 安全纜線插槽

2 機箱蓋釋放門鎖

3 掛鎖扣環

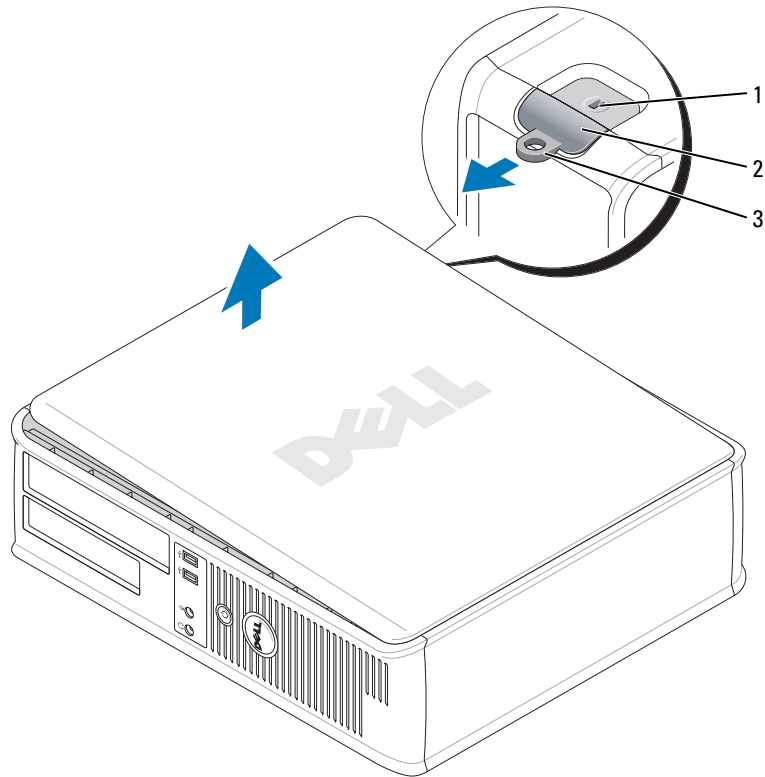
## 桌上型電腦

**⚠ 警告：**在開始本章節中的任何程序之前，請按照*產品資訊指南*中的安全說明操作。

**⚠ 警告：**為保護您免遭電擊，在移除電腦主機蓋之前，請務必將您電腦的電源插頭從電源插座拔掉。

- 1 請遵循中的程序第 138 頁的「開始操作之前」。
- 2 如果您已經穿過背面板上的掛鎖扣環安裝了掛鎖，請卸下掛鎖。
- 3 如圖所顯示，找到蓋板釋放門鎖。然後，滑動釋放門鎖回到您舉起的蓋板。
- 4 緊緊夾住主機蓋的側面，以鉸鏈卡舌作為支點將主機蓋向上轉動。
- 5 將主機蓋自鉸鏈卡舌移除，然後側放在柔軟而無研磨作用的表面上。

**警告：**在正常作業期間，圖形插卡散熱器可能變成非常熱。在您觸碰它之前，請確定圖形插卡散熱器有足夠的時間冷卻。



1 安全纜線插槽

2 機箱蓋釋放門鎖

3 掛鎖扣環

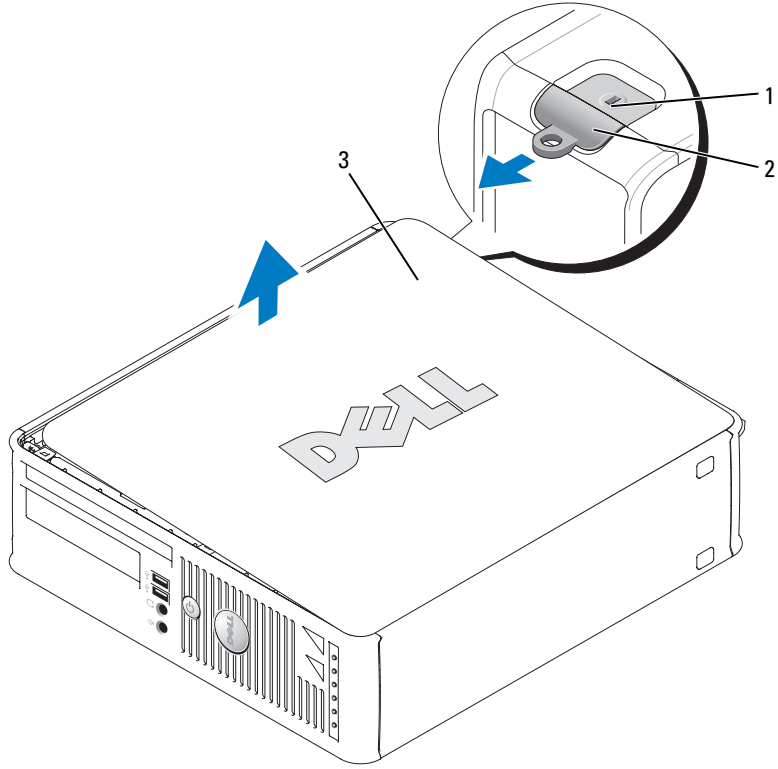
## 小型電腦

**警告：**在開始本章節中的任何程序之前，請按照 *產品資訊指南* 中的安全說明操作。

**警告：**為保護您免遭電擊，在移除電腦主機蓋之前，請務必將您電腦的電源插頭從電源插座拔掉。

- 1 請遵循中的程序第 138 頁的「開始操作之前」。
- 2 如果您已經穿過背面板上的掛鎖扣環安裝了掛鎖，請卸下掛鎖。
- 3 如圖解所示，找到蓋板釋放門鎖。然後，滑動釋放門鎖回到舉起的蓋板。
- 4 緊握主機蓋的側邊和使用底部鉸鏈如支點一般將蓋板旋轉提起。
- 5 將主機蓋自鉸鏈卡舌移除，然後側放在柔軟而無研磨作用的表面上。

**警告：**在正常作業期間，圖形插卡散熱器可能變成非常熱。在您接觸它之前，請確定圖形插卡散熱器有足夠的時間散熱。



1 安全纜線插槽

2 機箱蓋釋放門鎖

3 電腦機箱蓋

## 超小型電腦

**⚠ 警告：**在開始本章節中的任何程序之前，請按照**產品資訊指南**中的安全說明操作。

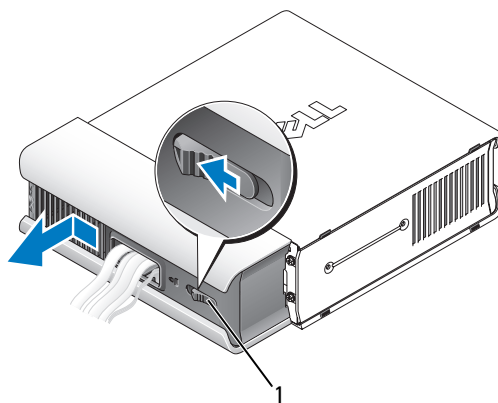
**⚠ 警告：**為保護您免遭電擊，在移除電腦主機蓋之前，請務必將您電腦的電源插頭從電源插座拔掉。

1 請遵循中的程序第 138 頁的「開始操作之前」。

**➡ 注意：**碰觸系統內部的元件前，通過觸摸未塗漆的金屬表面以導去身上的靜電。操作時，請定時觸摸未塗漆的金屬表面，以釋放可能損壞內部元件的靜電。

2 如果適當，卸下纜線蓋板。

a 如果安全保護裝置是已安裝在安全纜線插槽，請移動裝置。




1 釋放按鈕

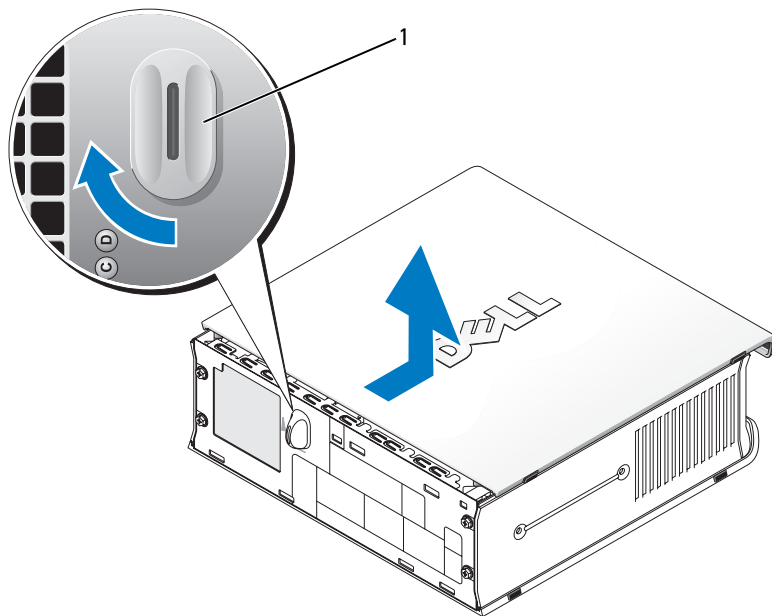
b 按下釋放按鈕，抓住纜線蓋板，滑動蓋板至左側直到停止，然後以舉起纜線蓋板的方式移開蓋板。

3 取下電腦機箱蓋：

a 以順時針方向旋轉蓋板釋放旋鈕，如在圖解所顯示。

b 滑動主機蓋前方 1 公分 (1/2 英寸)，或直到它停止，然後抬起蓋板。

 **警告：**在正常作業期間內，圖形插卡散熱器可能變成非常熱。在您觸碰它之前，確定圖形插卡散熱器有足夠的時間散熱。

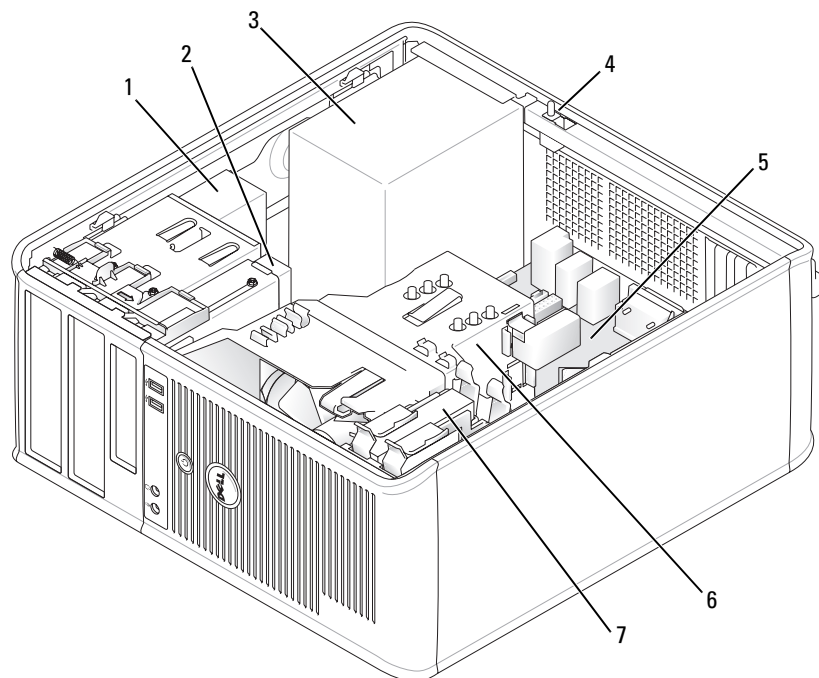


1 釋放旋鈕



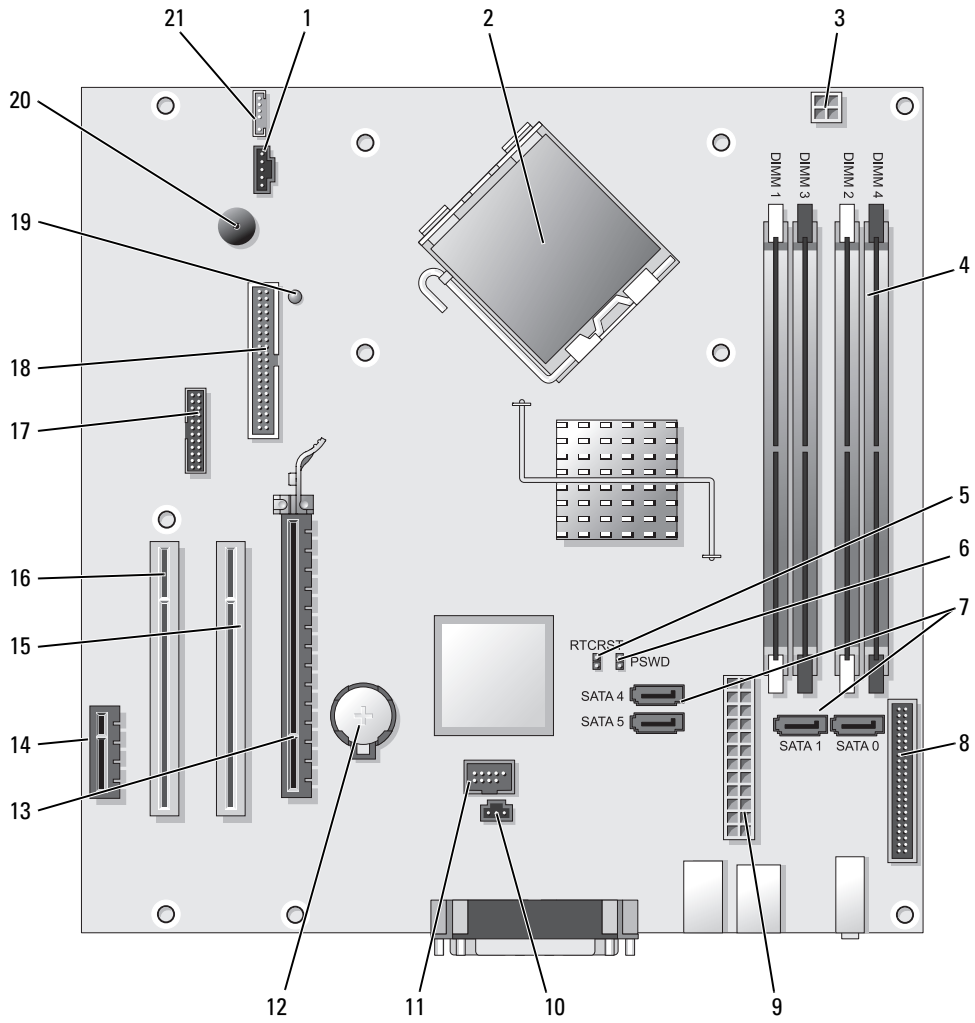
# 您的電腦內部

## 迷你直立型電腦



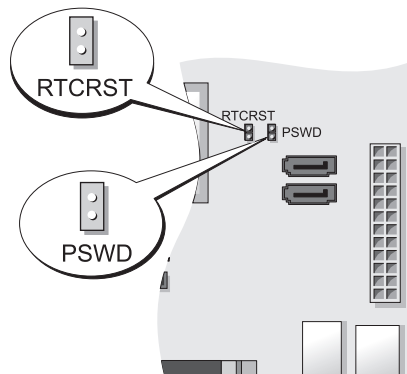
- |            |               |         |
|------------|---------------|---------|
| 1 光碟機      | 2 軟碟機或媒體插卡讀取機 | 3 電源供應器 |
| 4 可選底座防盜開關 | 5 主機板         | 6 散熱器組件 |
| 7 硬碟機      |               |         |

# 主機板元件



- |    |   |    |                       |
|----|---|----|-----------------------|
| 1  | 風扇連接器 (FAN)                               | 12 | 電池槽 (BATT)            |
| 2  | 處理器連接器 (CPU)                              | 13 | PCI 快速 x16 連接器 (插槽 1) |
| 3  | 處理器電源連接器 (12VPOWER)                       | 14 | PCI 快速 x1 連接器 (插槽 4)  |
| 4  | 記憶體模組連接器 (DIMM_1, DIMM_2, DIMM_3, DIMM_4) | 15 | PCI 連接器 (插槽 2)        |
| 5  | RTC 重設跳線 (RTCRST)                         | 16 | PCI 連接器 (插槽 3)        |
| 6  | 密碼跳線 (PSWD)                               | 17 | 序列連接器 (SER2)          |
| 7  | SATA 磁碟機連接器 (SATA0, SATA1, SATA4, SATA5)  | 18 | 軟碟機連接器 (DSKT)         |
| 8  | 前面板連接器 (FNT_PANEL)                        | 19 | 剩餘電源                  |
| 9  | 電源連接器 (POWER)                             | 20 | 主機板喇叭 (發出嗶聲)          |
| 10 | 防盜開關連接器 (INTRUDER)                        | 21 | 喇叭連接器 (INT_SPKR)      |
| 11 | 內部 USB (INTERNAL_USB)                     |    |                       |

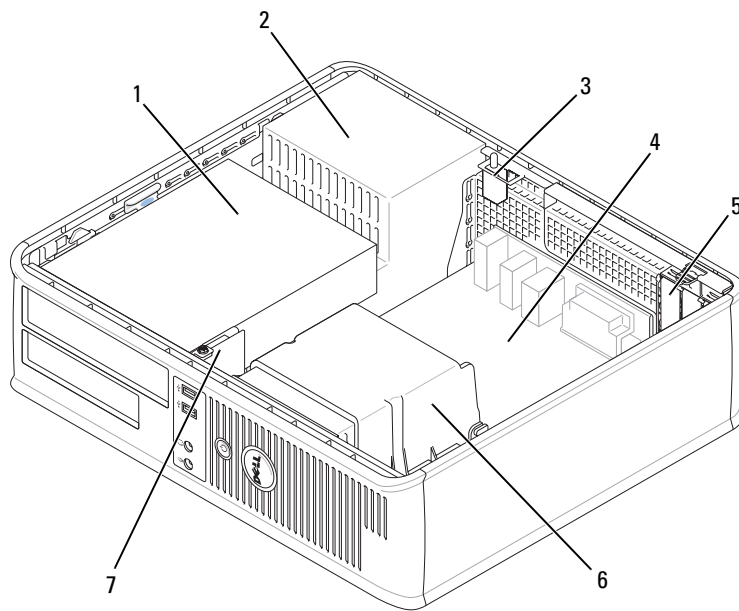
## 跳線設定



跳線	設定	說明
PSWD		密碼功能已啓用 ( 預設值設定 ) 。
		密碼功能已停用 。
RTCRST		尚未重設即時時鐘 。
		正在重設即時時鐘 ( 暫時跳線 ) 。

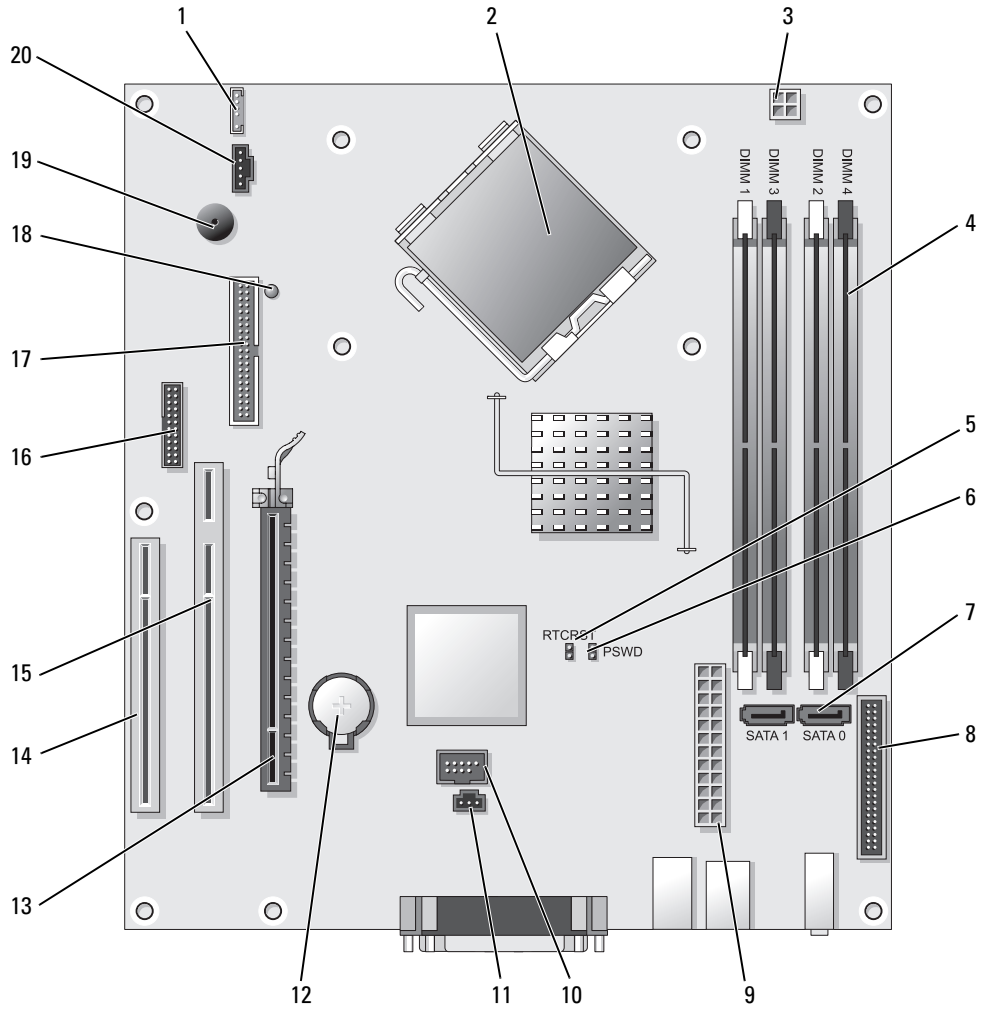
已短接      未短接

## 桌上型電腦



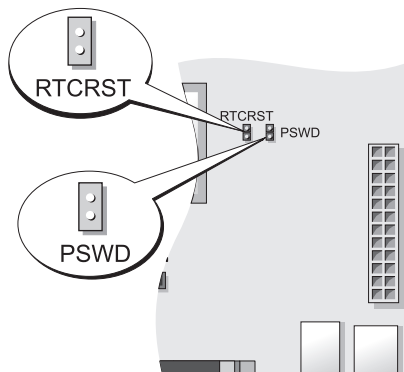
- |                                 |         |            |
|---------------------------------|---------|------------|
| 1 磁碟機凹槽 ( 媒體插卡讀取機或軟碟機、光碟機和硬碟機 ) | 2 電源供應器 | 3 可選底座防盜開關 |
| 4 主機板                           | 5 插槽    | 6 散熱器護罩組件  |
| 7 前 I/O 面板                      |         |            |







# 系統主機板元件



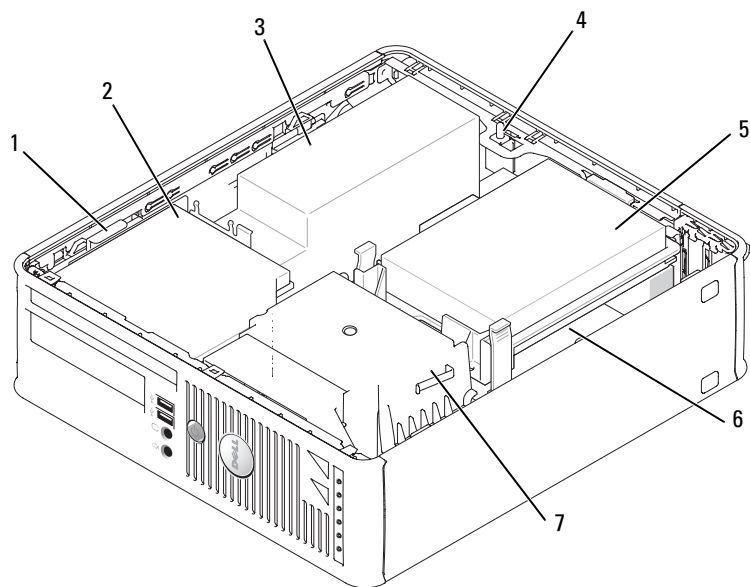
- |   |                          |
|---|--------------------------|
| 1 內接式喇叭 (INT_SPKR)                          | 11 防盜開關連接器 (INTRUDER)    |
| 2 處理器連接器 (CPU)                              | 12 電池槽 (BATT)            |
| 3 處理器電源連接器 (12VPOWER)                       | 13 PCI 快速 x16 連接器 (插槽 1) |
| 4 記憶體模組連接器 (DIMM_1, DIMM_2, DIMM_3, DIMM_4) | 14 PCI 連接器 (插槽 3)        |
| 5 RTC 重設跳線 (RTCRST)                         | 15 PCI 連接器 (插槽 2)        |
| 6 密碼跳線 (PSWD)                               | 16 序列連接器 (SER2)          |
| 7 SATA 連接器 (SATA0, SATA1)                   | 17 軟碟機連接器 (DSKT)         |
| 8 前面板連接器 (FNT_PANEL)                        | 18 剩餘電源                  |
| 9 電源連接器 (POWER)                             | 19 主機板喇叭 (發出嗶聲)          |
| 10 內部 USB (INTERNAL_USB)                    | 20 風扇連接器 (FAN)           |

## 跳線設定



跳線	設定	說明
PSWD		密碼功能已啓用 (預設值設定)。
		密碼功能已停用。
RTCRST		尚未重設即時時鐘。
		正在重設即時時鐘 (暫時跳線)。
	 已短接	 未短接

## 小型電腦



1 磁碟機釋放門鎖

2 光碟機

3 電源供應器與風扇

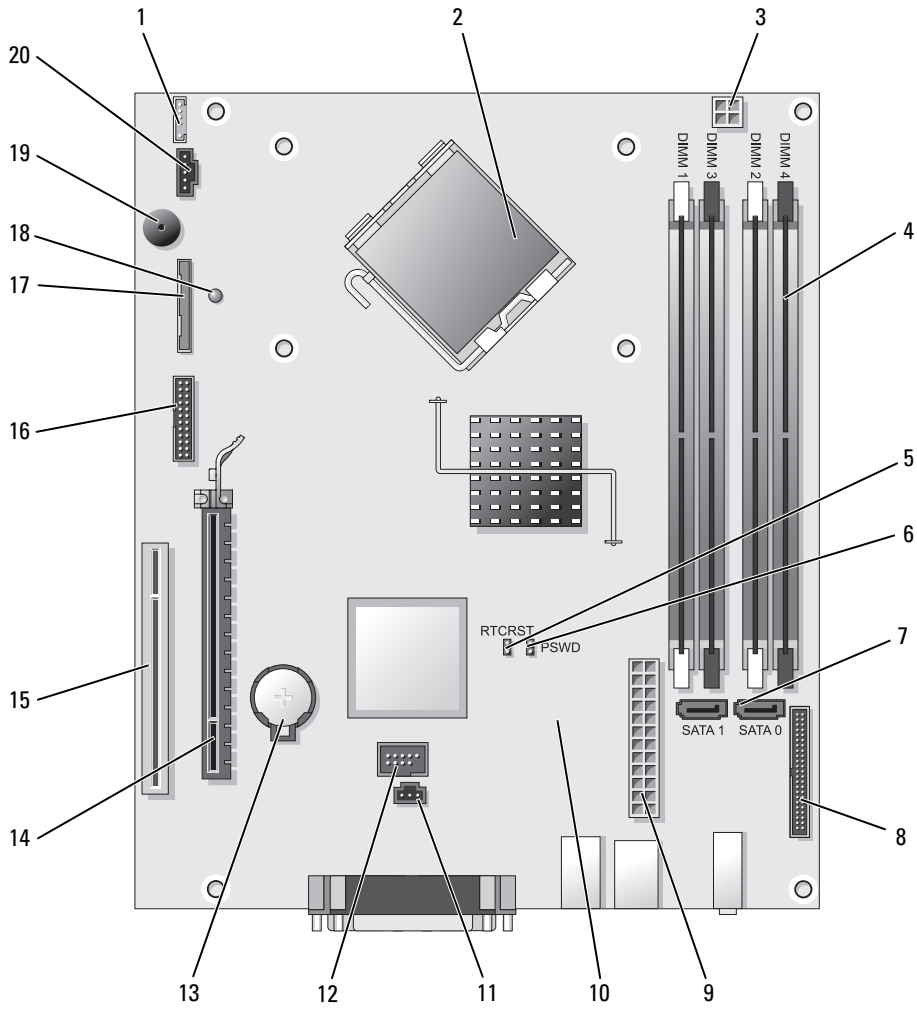
4 可選底座防盜開關

5 硬碟機

6 主機板

7 散熱器與風箱組件

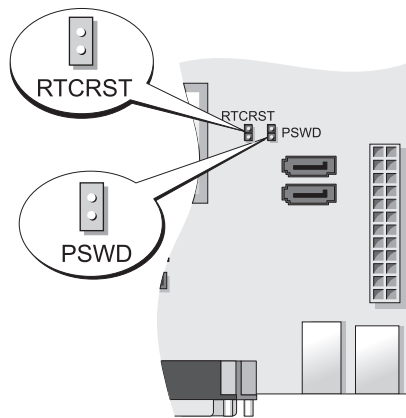
# 主機板元件





- |    |   |    |                       |
|----|---|----|-----------------------|
| 1  | 內接式喇叭連接器 (INT_SPKR)                       | 11 | 防盜開關連接器 (INTRUDER)    |
| 2  | 處理器連接器 (CPU)                              | 12 | 內部 USB 連接器 (USB)      |
| 3  | 處理器電源連接器 (12VPOWER)                       | 13 | 電池槽 (BATT)            |
| 4  | 記憶體模組連接器 (DIMM_1, DIMM_2, DIMM_3, DIMM_4) | 14 | PCI 快速 x16 連接器 (插槽 1) |
| 5  | RTC 重設跳線 (RTCRST)                         | 15 | PCI 連接器 (插槽 2)        |
| 6  | 密碼跳線 (PSWD)                               | 16 | 序列連接器 (SER2)          |
| 7  | SATA 連接器 (SATA0, SATA1)                   | 17 | 軟碟機連接器 (DSKT)         |
| 8  | 前面板連接器 (FNT_PANEL)                        | 18 | 剩餘電源                  |
| 9  | 電源連接器 (POWER)                             | 19 | 主機板喇叭 (發出嗶聲)          |
| 10 | 風扇連接器 (風扇 2)                              | 20 | 風扇連接器 (FAN)           |

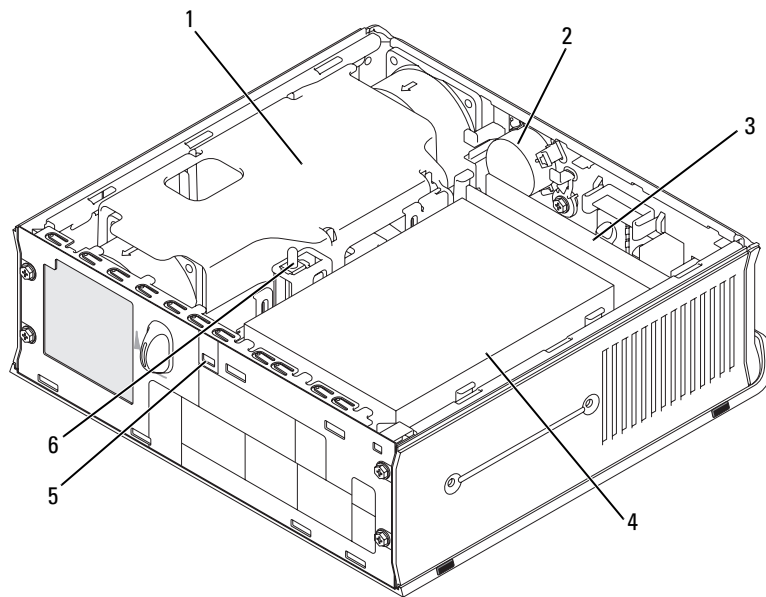
## 跳線設定



跳線	設定	說明
PSWD		密碼功能已啓用 ( 預設值設定 ) 。
		密碼功能已停用。
RTCST		尚未重設即時時鐘。
		正在重設即時時鐘 ( 暫時跳線 ) 。

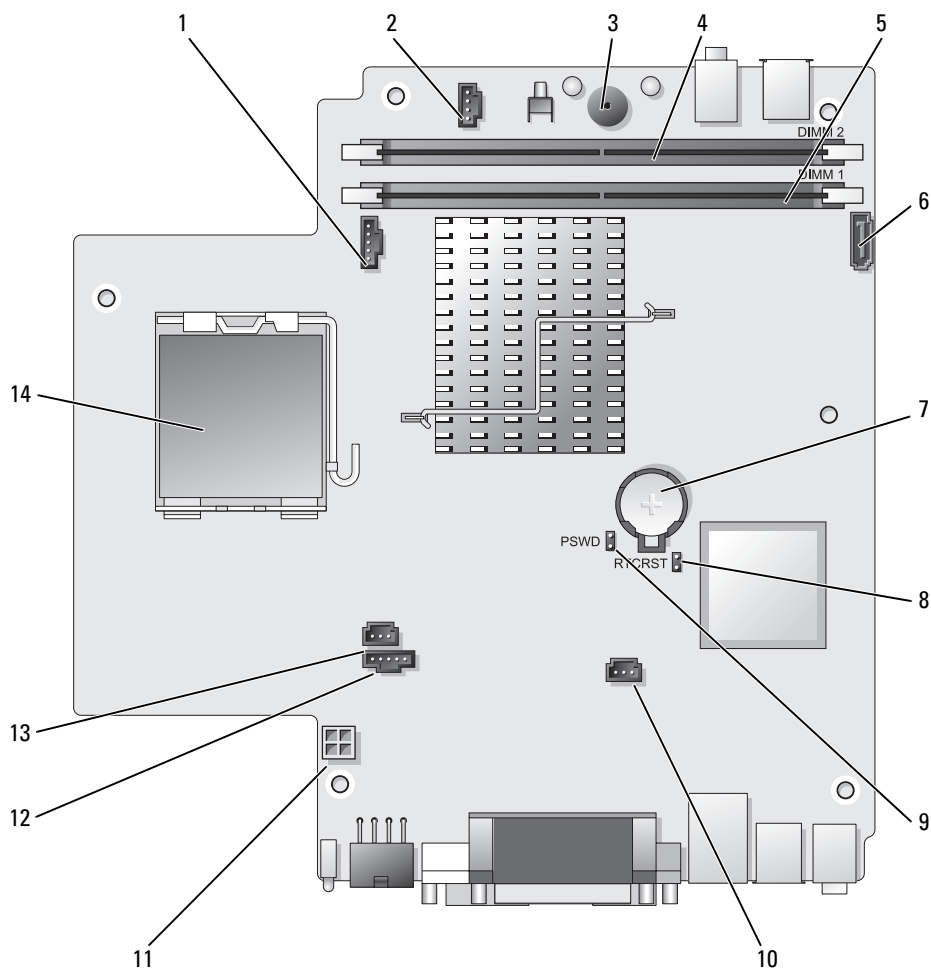
已短接    未短接

## 超小型電腦



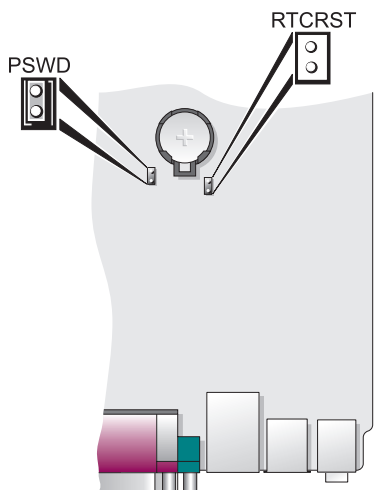
- |                |              |                 |
|----------------|--------------|-----------------|
| 1 風扇護罩 / 散熱器組件 | 2 喇叭 ( 可選的 ) | 3 記憶體模組 ( 2 個 ) |
| 4 硬碟機          | 5 安全纜線插槽     | 6 底座防盜開關        |

## 系統主機板元件



- |                        |                        |
|------------------------|------------------------|
| 1 風扇連接器 (風扇_前方)        | 8 清除 CMOS 跳線 (RTC_RST) |
| 2 內接式喇叭連接器 (INT_SPKR)  | 9 密碼跳線 (PSWD)          |
| 3 主機板喇叭 (發出嗶聲)         | 10 硬碟機風扇連接器 (FAN_HDD)  |
| 4 通道 B 記憶體連接器 (DIMM_2) | 11 硬碟機電源連接器 (SATA_PWR) |
| 5 通道 A 記憶體連接器 (DIMM_1) | 12 風扇連接器 (FAN_REAR)    |
| 6 SATA 資料纜線連接器 (SATA0) | 13 傾入切換連接器 (INTRUDER)  |
| 7 電池 (BATT)            | 14 處理器 (CPU)           |

## 跳線設定



跳線	設定	說明
PSWD		密碼功能已啓用 (預設值設定)。
		密碼功能已停用。
RTCRST		尚未重設即時時鐘。
		正在重設即時時鐘 (暫時跳線)。



已短接



未短接

## 安裝電腦

- 警告：**在開始執行本章節中的任何程序之前，請按照**產品資訊指南**中的安全說明操作。
- 注意：**如果您的電腦已經安裝有擴充卡 (例如數據機卡)，請將對應的纜線連接至此擴充卡，而不要連接至電腦背面板中的連接器。
- 注意：**為協助電腦維持適當的作業溫度，請確定您不會將電腦放置在太靠近牆的位置或可能妨礙底架附近空氣流通的儲存隔間。更多的資訊請參閱您的產品資訊指南。
- 註：**在您安裝任何非電腦隨附裝置或軟體時，請閱讀裝置或軟體隨附的說明文件，或是與廠商聯絡以確認裝置或軟體與您的電腦和作業系統相容。

您必須完成所有步驟，才能夠正確地設定電腦。請參考這些指示所對應的圖表。

➡ **注意：**請勿嘗試同時操作 PS/2 滑鼠與 USB 滑鼠。

1 連接鍵盤與滑鼠。


➡ **注意：**請勿將數據機纜線連接至網路配接器的連接器。電話通訊的電壓可能會對網路配接器造成損壞

2 連接數據機或網路纜線。

將網路纜線（而不是電話線）插入網路連接器。如果您有可選的數據機，請將電話線連接至數據機。

3 連接監視器。

對準後輕輕插入監視器纜線，避免將連接器插腳弄彎。將纜線連接器上的指旋螺絲旋緊。

 **註：**有些監視器在螢幕背面的底下會有影像連接器。請參閱監視器隨附的說明文件以瞭解其連接器的位置。

4 連接喇叭。

5 將電源纜線連接至電腦、監視器和裝置，然後將電源纜線的其他端插入電源插座。

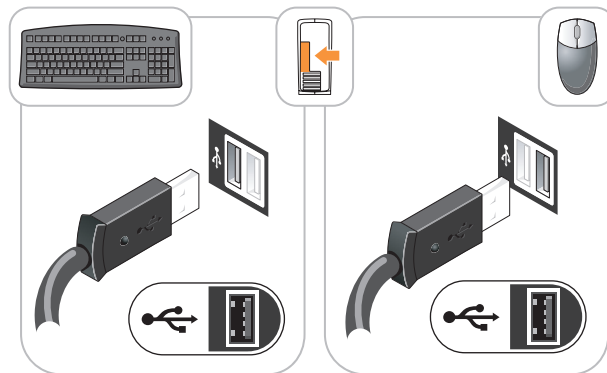
➡ **注意：**為避免由一個手動電壓選擇開關損壞電腦，請將電壓設置在與您所在地區所提供的交流電電源電壓相匹配的位置。

➡ **注意：**在日本，電源選擇開關必須設定到 115 V 位置，即使當地的交流電供給電壓為 100 V。

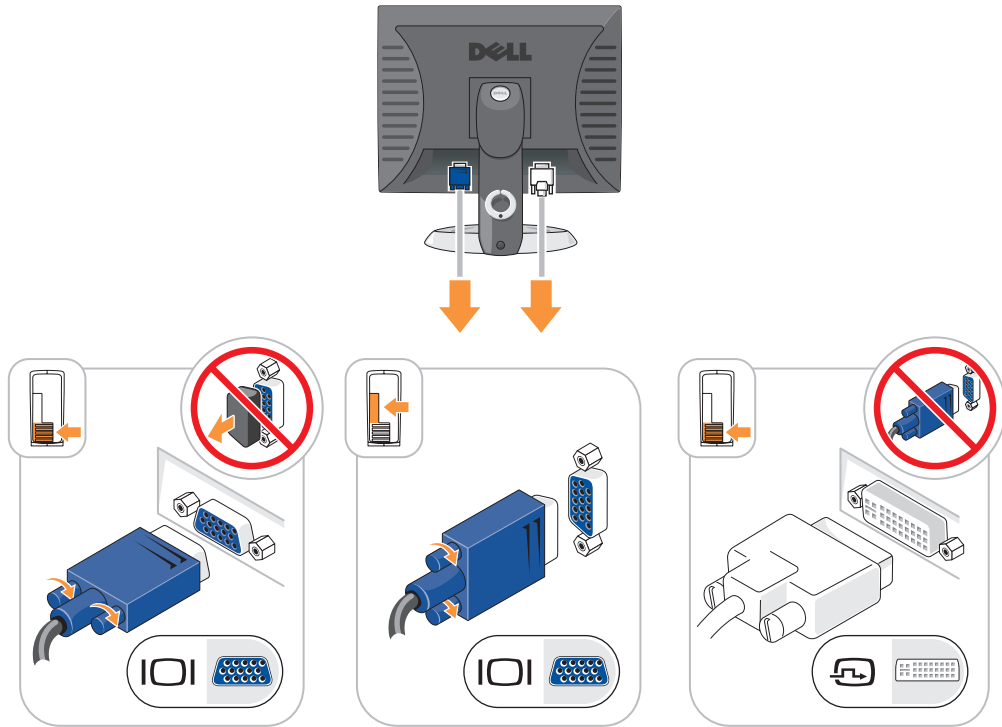
6 確認電壓選擇開關已設定在正確的位置。

您的電腦有手動電壓選擇開關。背面板上帶有電壓選擇開關的電腦必須手動設定正確的工作電壓。

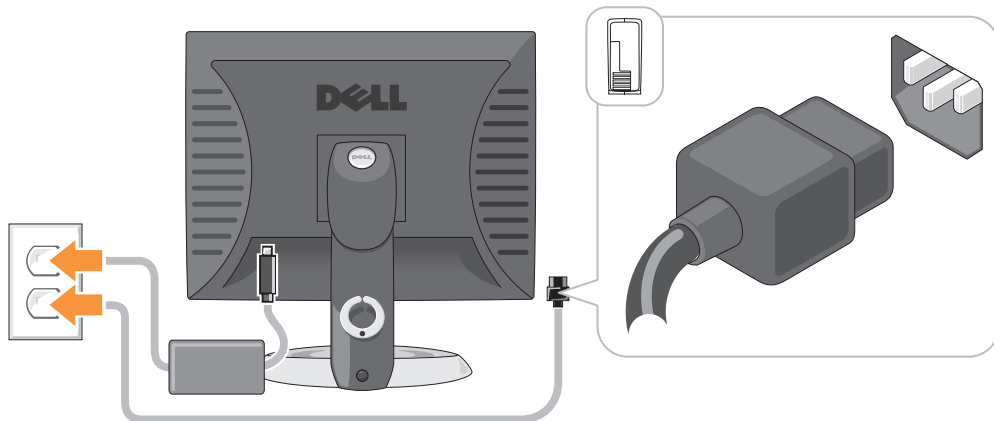
## 安裝鍵盤與滑鼠



## 安裝監視器



## 電源連線



## 解決問題

Dell 提供了許多工具，可以在電腦工作未達到預期水準時提供協助。如果要取得您電腦的最新故障排除資訊，請參閱 Dell 支援網站，網址是：[support.dell.com](http://support.dell.com)。

如果電腦所發生的問題需要 Dell 的協助，請提供詳細的錯誤說明、嗶聲代碼或診斷程式指示燈的樣式；記錄您的快速服務代碼以及下面的服務標籤；然後與您的購買電腦所在地區的 Dell 聯絡。如需有關聯絡 Dell 的資訊，請參閱您的線上*使用者指南*。

關於快速服務代碼和服務標籤的範例，參閱在您的電腦*使用者指南*的「尋找資訊」。

快速服務代碼： \_\_\_\_\_


服務標籤： \_\_\_\_\_

### Dell 診斷程式

 **警告：**在開始本章節中的任何程序之前，請按照*產品資訊指南*中的安全說明操作。

#### 何時使用 Dell 診斷程式

如果您在使用電腦時遇到一個問題，在您聯絡 Dell 技術援助之前，執行檢查在「解決問題」在您的線上*使用者指南*和執行 Dell 診斷程式。如需有關聯絡 Dell 的資訊，請參閱您的線上*使用者指南*。

 **注意：**Dell 診斷程式僅能夠在 Dell 電腦上運作。

進入系統設定 (請參閱您的線上*使用者指南*的「系統設定」中之說明)，審查您的電腦組態資訊，並確認您要測試的裝置顯示在系統設定上且已啟動。

您可以從硬碟或可選 *Drivers and Utilities CD (ResourceCD)*。

#### 從硬碟機啟動 Dell 診斷程式

- 1 開啓 (或重新啟動) 電腦。
- 2 當出現 DELL 徽標時，立即按下 <F12>。

 **註：**如果您看到一個訊息陳述找不到診斷程式公用程式分割區，從可選 *Drivers and Utilities CD*，執行 Dell 診斷程式 (參閱第 160 頁的「從 *Drivers and Utilities CD*」)。

如果等待過長時間而 Windows 作業系統徽標出現，請繼續等待直到看見 Microsoft® Windows® 桌面。然後關閉電腦並再試一次。

當啟動裝置清單出現時，請反白顯示 **啟動公用程式分割區** 然後按 <Enter>。

- 3 當 Dell 診斷程式主選單出現時，請選取您想要執行的測試。

## 從 Drivers and Utilities CD

- 1 插入 *Drivers and Utilities* CD 執行 Dell 診斷程式。
- 2 關閉並重新啓動電腦。  
當出現 DELL 徽標時，立即按下 <F12>。

如果等待過長時間而出現 Windows 作業系統徽標，請繼續等待直到看見 Microsoft Windows 桌面。然後關閉電腦並再試一次。




**註：**以下步驟僅變更啓動順序一次。在下次啓動時，電腦會根據在系統設定中指定的裝置來啓動。

- 3 當啓動裝置清單出現時，請反白顯示 CD/DVD 磁碟機的清單並按住 <Enter>。
- 4 從 CD 啓動選單中選取 CD/DVD 磁碟機選項。
- 5 選取該選項以便從出現選單中啓動 CD/DVD 磁碟機。
- 6 鍵入 1 以啓動 *Drivers and Utilities* CD 選單。
- 7 鍵入 2 以啓動 Dell 診斷程式。
- 8 從編號清單中選取執行 32 位元 Dell 診斷程式。如果列出了多種版本，請爲您的電腦選取適當的版本。
- 9 當 Dell 診斷程式主選單出現時，請選取您想要執行的測試。

## Dell 診斷程式主選單

- 1 在載入 Dell 診斷程式而且主選單螢幕出現之後，單按您想要的選項按鈕。

選項	功能
快速測試	執行裝置的快速測試。此項測試通常需時要十到二十分鐘，您不需要參與測試的過程。請先執行 <b>快速測試</b> 以增加快速追蹤問題的可能性。
延伸測試	執行徹底的裝置檢查。此項測試通常需要一個小時或更久的時間，而且需要您定期回答問題。
自訂測試	測試特定裝置。您可以自訂想要執行的測試。
徵兆樹	列出最常遇到的徵兆，並且讓您根據目前所面臨問題的徵兆選取測試。

- 2 如果在測試期間發生問題，會出現一個包含錯誤代碼與問題說明的訊息。請記錄錯誤代碼與問題說明，然後遵循螢幕的指示進行操作。  
如果您無法解決錯誤的情況，請聯絡 Dell。如需有關聯絡 Dell 的資訊，請參閱您的線上**使用者指南**。  
 **註：**您電腦的服務標籤是位於每個測試螢幕的頂端。如果您與 Dell 聯絡，技術支援人員會詢問您的服務標籤。
- 3 如果您是從**自訂測試**或**徵兆樹**選項執行測試，單按下表中所描述的適用標籤以獲得更多資訊。



標籤	功能
結果	顯示測試結果以及遇到的任何錯誤情況。
錯誤	顯示遇到的錯誤情況、錯誤代碼和問題說明。
說明	說明測試並且可能會指出執行測試的要求。
組態	顯示選定裝置的硬體組態。 Dell 診斷程式自系統設定、記憶體和各種內部測試獲取所有裝置的組態資訊，並將資訊顯示在螢幕左窗格的裝置清單中。裝置清單並不一定會顯示安裝在您電腦中的所有元件名稱，或是與電腦連接的所有裝置的名稱。
參數	允許您通過變更測試設定來自訂測試。

- 當測試完成時，如果您是從 *Drivers and Utilities* CD ( 可選的 ) 執行 Dell 診斷程式，請取出 CD。
- 關閉 測試螢幕以回到主選單螢幕。若要結束 Dell 診斷程式並重新啓動電腦，請關閉主選單螢幕。

## 系統指示燈

您的電源指示燈可以指示電腦問題。

電源指示燈	問題說明	建議的解決方法
持續的綠燈	電源已開啓，電腦的運作正常。	不需要任何修正的動作。
閃爍的綠燈	電腦現在處於省電模式。	按下電源按鈕，移動滑鼠或是按下鍵盤上的按鍵以喚醒電腦。
綠燈閃爍數次然後熄滅	發生組態錯誤。	檢查診斷程式指示燈以查看是否可確定特定問題 ( 請參閱 ) 第 162 頁的「診斷程式指示燈」。
持續黃燈	在主機板上的裝置可能是錯誤或不正確安裝或在電源供應器上的電壓選擇開關設定不正確。	檢查診斷程式指示燈以查看是否可確定特定問題 ( 請參閱 ) 第 162 頁的「診斷程式指示燈」。 請參閱您的線上 <i>使用者指南</i> 中的「電源問題」。 如果電腦並不啓動，請聯絡 Dell 以尋求技術協助。如需有關聯絡 Dell 的資訊，請參閱您的線上 <i>使用者指南</i> 。


電源指示燈	問題說明	建議的解決方法
閃爍的黃燈	電源供應器或主機板發生故障。	檢查診斷程式指示燈以查看是否可確定特定問題 (請參閱) 第 162 頁的「診斷程式指示燈」。 請參閱您的線上 <i>使用者指南</i> 中的「電源問題」。 如果電腦並不啟動，請聯絡 Dell 以尋求技術協助。如需有關聯絡 Dell 的資訊，請參閱您的線上 <i>使用者指南</i> 。
在機器自我測試期間持續綠燈亮起並出現嗶聲代碼	在執行 BIOS 時偵測到問題。	如需有關診斷嗶聲代碼的說明，請參閱第 164 頁的「嗶聲代碼」同時檢查診斷程式指示燈以查看是否可確定特定問題。
綠色電源指示燈持續亮起，在機器自我測試期間沒有嗶聲代碼或影像	監視器或是圖形卡可能故障或未正確安裝。	檢查診斷程式指示燈以查看是否可確定特定問題。
綠色電源指示燈持續亮起而且沒有嗶聲代碼，但是電腦在自我測試期間被鎖定	整合主機板裝置可能有問題。	檢查診斷程式指示燈以查看是否可確定特定問題。如果未識別出問題，請聯絡 Dell 以請求技術協助。如需有關聯絡 Dell 的資訊，請參閱您的線上 <i>使用者指南</i> 。



## 診斷程式指示燈

 **警告：**在開始本章節中的任何程序之前，請按照 *產品資訊指南* 中的安全說明操作。

為協助您針對問題進行故障排除，在您的電腦前面板或後面板上有四個標籤為「1」「2」「3」與「4」的指示燈。這些指示燈可以是綠色，或處於熄滅狀態。當電腦正常啟動時，指示燈的樣式或代碼會在啟動程序完成時有所變化。若系統啟動的機器自我測試部分成功的完成，所有四個指示燈均顯示短暫的實體綠燈，然後熄滅。

如果電腦在開機自我測試程序期間發生故障，LED 所顯示的樣式將有助於識別程序中電腦停止的位置。若電腦在成功的完成機器自我測試後方出現故障，診斷指示燈將不會表示問題的原因。

 **註：**診斷指示燈的方向根據系統的類型可能不同。診斷程式指示燈可以是直立地或水平地導向。

指示燈樣式	問題說明	建議的解決方法
	電腦目前處於正常關閉狀態，或者可能發生前 BIOS 故障。 在電腦成功啟動到作業系統後，診斷指示燈仍未閃亮。	將電腦的電源線插入工作中的電源插座，然後按下電源按鈕。
	可能 BIOS 故障已發生；此電腦是在恢復模式。	執行 BIOS 恢復公用程式，等待恢復完成，然後重新啟動電腦。

指示燈樣式	問題說明	建議的解決方法
	可能發生處理器故障。	重新安裝處理器然後重新啓動電腦。如需有關重新安裝處理器的資訊，請參閱您的線上 <i>使用者指南</i> 。
	已偵測到記憶體模組，但是發生記憶體故障。	<ul style="list-style-type: none"> <li>如果您安裝了一個記憶體模組，請重新安裝此模組然後重新啓動電腦。如需有關重新安裝記憶體模組的資訊，請參閱您的線上<i>使用者指南</i>。</li> <li>如果您安裝了兩個或兩個以上的記憶體模組，請卸下所有模組，重新安裝一個模組，然後重新啓動電腦。如果電腦正常啓動，請重新安裝另外一個模組。繼續此步驟直到您識別出有問題的模組或是重新安裝所有模組而沒有發現錯誤。</li> <li>如果可用，請將工作正常的同類型記憶體安裝到您的電腦中。</li> <li>如果問題仍然發生，請聯絡 Dell。如需有關聯絡 Dell 的資訊，請參閱您的線上<i>使用者指南</i>。</li> </ul>
	可能發生圖形卡故障。	<ul style="list-style-type: none"> <li>如果電腦有圖形卡，請卸下圖形卡，重新安裝，然後重新啓動電腦。</li> <li>如果問題仍然存在，請重新安裝一張您確定可正常運作的圖形卡，然後重新啓動電腦。</li> <li>如果問題仍然存在或電腦有整合視訊圖形，請聯絡 Dell。如需有關聯絡 Dell 的資訊，請參閱您的線上<i>使用者指南</i>。</li> </ul>
	可能發生軟碟機或硬碟機故障。	重新安裝所有電源線與資料纜線，然後重新啓動電腦。
	可能發生 USB 故障。	重新安裝所有 USB 裝置，檢查纜線連接，然後重新啓動電腦。

指示燈樣式	問題說明	建議的解決方法
	未偵測到記憶體模組。	<ul style="list-style-type: none"> <li>如果您安裝了一個記憶體模組，請重新安裝此模組然後重新啓動電腦。如需有關重新安裝記憶體模組的資訊，請參閱您的線上<i>使用者指南</i>。</li> <li>如果您安裝了兩個或兩個以上的記憶體模組，請卸下所有模組，重新安裝一個模組，然後重新啓動電腦。如果電腦正常啓動，請重新安裝另外一個模組。繼續此步驟直到您識別出有問題的模組或是重新安裝所有模組而沒有發現錯誤。</li> <li>如果可用，請將工作正常的同類型記憶體安裝到您的電腦中。</li> <li>如果問題仍然發生，請聯絡 Dell。如需有關聯絡 Dell 的資訊，請參閱您的線上<i>使用者指南</i>。</li> </ul>
	已偵測到記憶體模組，但是存在記憶體組態或相容性錯誤。	<ul style="list-style-type: none"> <li>請確定不存在特殊的記憶體模組/記憶體連接器放置要求。</li> <li>驗證您正在安裝的記憶體模組與您的電腦相容。</li> <li>如果問題仍然發生，請聯絡 Dell。如需有關聯絡 Dell 的資訊，請參閱您的線上<i>使用者指南</i>。</li> </ul>
	發生了其他故障。  本樣式在您進入系統設定時亦可能顯示，但可能不表示有問題。	<ul style="list-style-type: none"> <li>請確定纜線已適當地從硬碟機、光碟機和 DVD 磁碟機連接至主機板。</li> <li>檢查在監視器螢幕上出現的電腦訊息。</li> <li>如果問題仍然發生，請聯絡 Dell。如需有關聯絡 Dell 的資訊，請參閱您的線上<i>使用者指南</i>。</li> </ul>

## 嗶聲代碼

如果電腦在啓動時顯示器無法顯示錯誤或問題，您的電腦會發出一系列的嗶聲。此系列的嗶聲稱為嗶聲代碼，可識別出問題。其中一種嗶聲代碼（代碼 1 3-1）是由一個嗶聲，三個急促的短嗶聲，然後再一個嗶聲所組成。此種嗶聲是告訴您電腦遇到記憶體方面的問題。

如果您的電腦在啓動時發出嗶聲：

- 1 請寫下嗶聲代碼。
- 2 請參閱第 159 頁的「Dell 診斷程式」以識別較嚴重的起因。
- 3 請聯絡 Dell 以請求技術協助。如需有關聯絡 Dell 的資訊，請參閱您的線上*使用者指南*。

代碼	原因	代碼	原因
1-1-2	微處理器暫存器故障	3-1-4	從屬岔斷遮罩暫存器故障
1-1-3	NVRAM 讀取 / 寫入失敗	3-2-2	岔斷向量載入故障
1-1-4	ROM BIOS 檢查總和故障	3-2-4	鍵盤控制器測試失敗
1-2-1	可程式間隔計時器故障	3-3-1	NVRAM 電源損耗
1-2-2	DMA 起始作業故障	3-3-2	無效的 NVRAM 組態
1-2-3	DMA 頁面暫存器讀取 / 寫入失敗	3-3-4	影像記憶體測試失敗
1-3	影像記憶體測試失敗	3-4-1	螢幕起始作業故障
1-3-1 到 2-4-4	未適當識別或使用記憶體	3-4-2	螢幕馳返故障
3-1-1	從屬 DMA 暫存器故障	3-4-3	搜尋影像 ROM 故障
3-1-2	主控 DMA 暫存器故障	4-2-1	無計時器滴答聲
3-1-3	主控岔斷遮罩暫存器故障	4-2-2	關機故障
4-2-3	A20 閘故障	4-4-1	序列埠或並列埠測試失敗
4-2-4	保護模式中未預期的岔斷	4-4-2	無法將代碼解壓縮至陰影記憶體
4-3-1	位址 0FFFFh 上方的記憶體故障	4-4-3	數學運算處理器測試失敗
4-3-3	計時器 - 晶片計數器 2 故障	4-4-4	快取記憶體測試失敗
4-3-4	時程鐘已停止		

## 解決軟體與硬體不相容的問題

如果在作業系統安裝期間並未偵測到某一裝置，或是偵測到某一裝置但並未正確組態，您可以使用硬體疑難排解來解決不相容的問題。

- 1 單按**開始**按鈕，然後單按**說明與支援**。
- 2 在**搜尋**欄位中鍵入**硬體疑難排解**，然後單按箭頭以啟動搜尋。
- 3 單按**搜尋結果**清單中的**硬體疑難排解**。
- 4 在**硬體疑難排解**清單中，單按**我需要解決電腦中的硬體衝突**，然後單按**下一步**。

## 使用 Microsoft Windows XP 系統還原

Microsoft Windows XP 作業系統提供了系統還原功能，如果當您變更硬體、軟體或其他系統設定而使得電腦出現不希望的運作狀態時，您可以將電腦回復為較早的運作狀態（資料檔案不會受到影響）。請參閱 Windows 說明與支援中心以取得有關使用系統還原功能的資訊。如需進入 Windows 說明與支援中心，請參閱第 122 頁的「Windows 說明與支援中心」。




**注意：**定期備份資料檔案。系統還原並不會監控您的資料檔案或是復原它們。

## 建立還原點

- 1 單按**開始**按鈕，然後單按**說明與支援**。
- 2 單按**系統還原**。
- 3 根據螢幕上的說明操作。

## 將電腦回復至先前的運作狀態

 **注意：**在您将電腦還原為較早的運作狀態之前，請儲存並關閉所有打開的檔案，並且結束任何打開的程式。在系統還原作業完成前，請勿變更、開啓或刪除任何檔案或程式。

- 1 單按**開始**按鈕，指向**所有程式** → **附屬應用程式** → **系統工具**，然後單按**系統還原**。
- 2 請確定已經選取**將我的電腦還原為先前的時間**，然後單按**下一步**。
- 3 單按您想要恢復電腦的行事曆日期。

**選取還原點**螢幕可提供一個行事曆，允許您查看並選取還原點。所有包含可用還原點的行事曆日期會以粗體的形式顯示。

- 4 選取某個還原點然後單按**下一步**。

如果行事曆日期只有一個還原點，則會自動選取該還原點。如果有兩個或更多還原點可以使用，單按您喜好的還原點。


- 5 單按**下一步**。

**還原完成**螢幕會在系統還原完成收集資料後出現，接著會重新啓動電腦。

- 6 在電腦重新啓動之後，單按**確定**。

若要變更還原點，您可以使用不同的還原點重複上述步驟，或者您可以復原恢復。

## 復原上次的系統還原

 **注意：**在您将復原上次的系統還原之前，請儲存並關閉所有開啓的檔案，並且結束任何開啓的程式。在系統還原作業完成前，請勿變更、開啓或刪除任何檔案或程式。

- 1 單按**開始**按鈕，指向**所有程式** → **附屬應用程式** → **系統工具**，然後單按**系統還原**。
- 2 單按**復原我上次的恢復**，然後按**下一步**。
- 3 單按**下一步**。  
**系統還原**螢幕會出現並且會重新啓動電腦。
- 4 在電腦重新啓動之後，單按**確定**。

## 啓用系統還原

如果您重新安裝 Windows XP 時可用的硬碟空間少於 200 MB，系統還原會自動關閉。若要查看系統還原是否已啓用：

- 1 單按**開始**按鈕，然後單按**控制台**。
- 2 單按**效能與維護**。

- 3 單按系統。
- 4 單按系統還原標籤。
- 5 確定未勾選關閉系統還原。

## 重新安裝 Microsoft Windows XP

### 開始啓動



**註：**本文件中的程序是依照 Windows XP Home Edition 中的 Windows 預設檢視編寫，因此如果您將 Dell 電腦設定為 Windows Classic 檢視或者使用的是 Windows XP Professional 版本，則步驟會有所不同。

如果您考慮重新安裝 Windows XP 作業系統以更正新安裝的驅動程式的問題，請先嘗試使用 Windows XP 裝置驅動程式復原。

- 1 單按開始按鈕，然後單按控制台。
- 2 在選擇類別底下，單按效能與維護。
- 3 單按系統。
- 4 在系統內容視窗中，單按硬體標籤。
- 5 單按裝置管理員。
- 6 在安裝新驅動程式的裝置中單按滑鼠右鍵，然後單按內容。
- 7 單按驅動程式標籤。
- 8 單按回復驅動程式。

如果裝置驅動程式回復並未解決問題，請使用系統還原將您的作業系統回復為其原始的操作狀態，然後再安裝新的裝置驅動程式（請參閱）第 165 頁的「使用 Microsoft Windows XP 系統還原」。



**註：***Drivers and Utilities* CD 執行 Dell 診斷程式 包含在電腦組件期間安裝的驅動程式。使用 *Drivers and Utilities* CD 執行 Dell 診斷程式以載入任何必要的驅動程式，包括電腦擁有 RAID 控制器時需要的驅動程式。

### 重新安裝 Windows XP



**注意：**在您重新安裝 Windows XP 時，您必須使用 Windows XP 服務包 1 或更新版本。



**注意：**在執行安裝之前，請備份主要硬碟機中的所有資料檔案。在傳統的硬碟機組態中，主要硬碟機是電腦第一個偵測到的硬碟機。

若要重新安裝 Windows XP，您需要下列項目：

- Dell 作業系統光碟
- Dell *Drivers and Utilities* CD 執行 Dell 診斷程式

若要重新安裝 Windows XP，請依照下列章節所列出的順序執行所有步驟。

重新安裝的程序可能需要花費 1 到 2 個小時來完成。在您重新安裝作業系統之後，您還必須重新安裝裝置驅動程式、病毒保護程式以及其他軟體。

- ➡ **注意：**作業系統光碟提供重新安裝 Windows XP 的選項。這些選項可以覆寫檔案並且可能會影響已安裝在硬碟機中的程式。因此，除非 Dell 技術支援部門人員指示您重新安裝，否則請勿重新安裝 Windows XP。
- ➡ **注意：**為了避免與 Windows XP 發生衝突，請先關閉電腦中安裝的任何病毒保護軟體，然後再重新安裝 Windows XP。請參閱軟體附贈的說明文件以獲取更多說明。

### 從作業系統光碟啟動

- 1 儲存並關閉所有開啓的檔案，然後結束所有開啓的程式。
- 2 插入作業系統光碟。如果出現安裝 Windows XP 訊息，請單按**結束**。
- 3 重新啟動電腦。
- 4 當 DELL 徽標出現後立刻按下 <F12>。  
如果作業系統徽標出現，請等待直到您看見 Windows 桌面，然後關閉電腦並再試一次。
- 5 按下箭號鍵以選取 CD-ROM，然後按 <Enter>。
- 6 當出現按任何鍵以便從光碟啟動訊息時，請按任何鍵。

### Windows XP Setup

- 1 當 Windows XP Setup 螢幕出現時，請按 <Enter> 以選取**立即設定 Windows**。
- 2 閱讀 Microsoft Windows **授權合約**螢幕中的資訊，然後按 <F8> 以接受授權合約。
- 3 如果您的電腦已經安裝 Windows XP 而您想要復原您目前的 Windows XP 資料，請鍵入 r 以選取修復選項，然後取出光碟。
- 4 如果您想要安裝新的 Windows XP，請按 <Esc> 以選取該選項。
- 5 按 <Enter> 選取反白顯示的分割區 (建議)，然後遵照螢幕上的指示。  
Windows XP 設定 螢幕出現，作業系統開始複製檔案並安裝裝置。電腦會自動多次重新啟動。



**註：**完成安裝所需時間要視硬碟的大小以及電腦的速度而定。



**注意：**當出現下列訊息時，請勿按下任何按鍵：按下任何鍵以便從光碟啟動。

- 6 當**地區及語言選項**螢幕出現時，請選取您的地區所適用的設定，然後單按**下一步**。
- 7 在**個人化您的軟體**螢幕中輸入您的姓名和組織 (可選)，然後單按**下一步**。
- 8 在**電腦名稱與管理員密碼**視窗中，輸入電腦的名稱 (或接受系統提供的名稱) 與密碼，然後單按**下一步**。
- 9 如果出現**數據機撥號資訊**螢幕，請輸入要求的資訊然後單按**下一步**。
- 10 在**日期與時間設定**視窗中輸入日期、時間與時區，然後單按**下一步**。
- 11 如果出現**網路設定**螢幕，請單按**一般**然後按**下一步**。
- 12 如果您正在重新安裝 Windows XP Professional 而且系統提示您要提供有關您的網路組態的進一步資訊，請輸入您的選擇。如果您不確定設定是否正確，請接受預設的選項。

Windows XP 會安裝作業系統元件並組態電腦。電腦會自動重新啟動。



**注意：**當出現下列訊息時，請勿按下任何按鍵：按下任何鍵以便從光碟啟動。




- 13 當出現**歡迎使用 Microsoft** 螢幕時，請單按**下一步**。
- 14 當出現這台電腦要如何連線至網際網路？訊息出現時，請單按**略過**。
- 15 當出現**準備好要向 Microsoft 註冊？** 螢幕時，選取**否**，現在不要然後單按**下一步**。
- 16 當出現**誰會使用這台電腦？** 螢幕時，您可以輸入最多五位使用者。
- 17 單按**下一步**。
- 18 單按**完成**以完成安裝，然後取出光碟。
- 19 使用 *Drivers and Utilities* CD 執行 Dell 診斷程式。
- 20 重新安裝您的病毒保護軟體。
- 21 重新安裝您的程式。

 **註：**若要重新安裝並啟動您的 Microsoft Office 或 Microsoft Works Suite 程式，您需要產品號碼，此號碼位於 Microsoft Office 或 Microsoft Works Suite CD 封套的背面。

## 使用 Drivers and Utilities CD

使用 *Drivers and Utilities* CD (*ResourceCD*) 當您正執行 Windows 作業系統。

 **註：**若要存取裝置驅動程式以及使用者說明文件，您必須在執行 Windows 時使用 *Drivers and Utilities* CD。

- 1 開啓電腦並允許它啓動至 Windows 桌面。
- 2 將 *Drivers and Utilities* CD 插入光碟機。

如果您是第一次在電腦中使用 *Drivers and Utilities* CD，**ResourceCD 安裝視窗**將會開啓並通知您 *Drivers and Utilities* CD 即將要開始安裝。

- 3 單按**確定**以繼續。  
若要完成安裝，請回應安裝程式所提供的提示。
- 4 單按**歡迎 Dell 系統所有人**螢幕中的**下一步**。

選取對應的**系統型式**、**作業系統**、**裝置類型**、和**主題**。

### 電腦的驅動程式

顯示電腦裝置驅動程式的清單：清單

- 1 單按**主題**下拉選單中的**我的驅動程式**。

*Drivers and Utilities* CD (可選) 會掃描您的電腦硬體與作業系統，接著螢幕上會顯示系統組態的裝置驅動程式清單。

- 2 單按對應的驅動程式並遵循指示將驅動程式下載至您的電腦中。

若要檢視您的電腦中所有可用的驅動程式，請從**主題**下拉選單中單按**驅動程式**。



# 索引

## C

CDs  
作業系統, 122

## D

Dell 支援站台, 123  
Dell 診斷程式, 159  
Drivers and Utilities CD, 121

## I

IRQ 衝突, 165

## W

Windows XP  
設定, 168  
系統還原, 165  
重新安裝, 122, 167  
硬體疑難排解, 165  
Windows XP  
硬體疑難排解, 165  
Windows XP 說明  
與支援中心, 122  
說明與支援中心, 122  
故障排除說明檔, 122  
Windows 說明與支援  
中心, 122

## 二劃

人體工學資訊, 122

## 四劃

支援網站, 123

## 五劃

主機板, 146, 149, 155  
請參閱主機板

## 六劃

安全說明, 122  
開始操作之前先  
安裝部件, 138

## 七劃

作業系統  
重新安裝, 122  
重新安裝 Windows XP, 167  
作業系統光碟, 122  
系統還原, 165

## 八劃

使用者指南, 121  
服務標籤, 123

## 九劃

保固資訊, 122  
指示燈  
系統, 161  
診斷程式, 162  
電源, 129, 132  
故障排除  
Dell 診斷程式, 159  
系統指示燈, 161  
恢復電腦成先前的  
操作狀態, 165  
硬體疑難排解, 165  
診斷程式指示燈, 162  
嗶聲代碼, 164  
衝突, 165  
重新安裝  
Windows XP, 167

## 十一劃

請參閱故障排除問題  
產品資訊指南, 122  
終端用戶軟體授權  
協議書, 122  
軟體  
衝突, 165

## 十二劃

硬體  
Dell 診斷程式, 159

- 嗶聲代碼, 164
- 衝突, 165
- 硬體疑難排解, 165
- 診斷程式
  - Dell 診斷程式, 159
  - 嗶聲代碼, 164

## 十三劃

- 電源
  - 指示燈, 129, 132
- 電源指示燈
  - 診斷問題, 161

## 十四劃

- 嗶聲代碼, 164
- 管制資訊, 122
- 移除蓋板, 138
- 說明文件
  - 人體工學, 122
  - 安全, 122
  - 使用者指南, 121
  - 保固, 122
  - 產品資訊指南, 122
  - 終端用戶軟體
  - 授權協議書, 122
  - 管制, 122
  - 線上, 123

## 十五劃

- 標籤
  - Microsoft Windows, 123
  - 服務標籤, 123

- 衝突
  - 軟體與硬體不相容的問題, 165

## 十六劃

- 錯誤訊息
  - 系統指示燈, 161
  - 診斷程式指示燈, 162
  - 嗶聲代碼, 164

## 二十一劃

- 驅動程式, 169

Dell™ OptiPlex™ 745

## 빠른 참조 안내

모델 DCTR, DCNE, DCSM, DCCY

[www.dell.com](http://www.dell.com) | [support.dell.com](http://support.dell.com)

## 주, 주의사항 및 주의



**주** : 주는 컴퓨터의 활용도를 높이는 데 도움이 되는 중요한 정보입니다.



**주의사항** : 주의사항은 하드웨어 손상이나 데이터 손실의 가능성을 알리고 이러한 문제를 방지하는 방법을 알려줍니다.



**주의** : 주의는 잠재적으로 물건의 손상, 신체적 부상 또는 사망 등과 같은 결과를 초래할 수 있음을 뜻합니다.

Dell™ n 시리즈 컴퓨터를 구입한 경우 Microsoft® Windows® 운영 체제에 관련된 사항들은 적용되지 않습니다.

---

이 문서의 정보는 사전 통보 없이 변경될 수 있습니다.

© 2006 Dell Inc. 저작권 본사 소유.

Dell Inc. 의 사전 서면 승인 없이 어떠한 무단 복제도 엄격히 금합니다.

본 설명서에 사용된 상표 : Dell, DELL 로고, Inspiron, Dell Precision, Dimension, OptiPlex, Latitude, PowerEdge, PowerVault, PowerApp 및 Dell OpenManage 는 Dell Inc. 의 상표입니다. Intel, Pentium, 및 Celeron 은 Intel Corporation 의 등록 상표입니다. Microsoft 및 Windows 는 Microsoft Corporation 의 등록 상표입니다.

본 설명서에서는 특정 회사의 마크나 제품 이름의 사실성을 입증하기 위해 기타 상표나 상호를 사용할 수도 있습니다. Dell Inc. 는 자사가 소유하고 있는 것 이외의 타사 소유 상표 및 상표명에 대한 어떠한 소유권도 가지고 있지 않습니다.

모델 DCTR, DCNE, DCSM, DCCY

2006 년 8 월

P/N FH895

Rev. A00



# 차례

정보 찾기	177
시스템 보기	180
미니 타워 컴퓨터 — 전면 모습	180
미니 타워 컴퓨터 — 후면 모습	182
미니 타워 컴퓨터 — 후면 패널 커넥터	183
데스크탑 컴퓨터 — 전면 모습	184
데스크탑 컴퓨터 — 후면 모습	186
데스크탑 컴퓨터 — 후면 패널 커넥터	186
소형 폼팩터 (SFF) 컴퓨터 — 전면 모습	188
소형 폼팩터 (SFF) 컴퓨터 — 후면 모습	189
소형 폼팩터 (SFF) 컴퓨터 — 후면 패널 커넥터	190
초소형 폼팩터 컴퓨터 — 전면 모습	192
초소형 폼팩터 컴퓨터 — 측면 모습	193
초소형 폼팩터 컴퓨터 — 후면 모습	193
초소형 폼팩터 컴퓨터 — 후면 패널 커넥터	194
컴퓨터 덮개 분리	195
시작하기 전에	195
미니 타워 컴퓨터	196
데스크탑 컴퓨터	197
소형 폼팩터 (SFF) 컴퓨터	198
초소형 폼팩터 컴퓨터	200
컴퓨터 내부	202
미니 타워 컴퓨터	202
데스크탑 컴퓨터	205
소형 폼팩터 (SFF) 컴퓨터	208
초소형 폼팩터 컴퓨터	211
컴퓨터 설치	213
키보드 및 마우스 설치	214
모니터 설치	215
전원 연결	215
문제 해결	216
Dell 진단 프로그램	216
시스템 표시등	218

진단 표시등 . . . . .	219
경고음 코드 참조 . . . . .	222
소프트웨어 및 하드웨어 비호환성 해결 . . . . .	223
Microsoft Windows XP 시스템 복원 기능 사용 . . . . .	223
Microsoft Windows XP 재설치 . . . . .	224
<b>Drivers and Utilities CD 사용 . . . . .</b>	<b>227</b>
컴퓨터 드라이버 . . . . .	227
색인 . . . . .	229



## 정보 찾기

-  주 : 몇가지 기능이나 미디어는 옵션이며 컴퓨터와 함께 제공되지 않을 수 있습니다. 몇가지 기능이나 미디어는 특정 국가에서 사용할 수 없습니다.
-  주 : 그밖의 다른 정보가 컴퓨터와 함께 제공되기도 합니다.

### 찾는 정보

- 내 컴퓨터 진단 프로그램
- 내 컴퓨터 드라이버
- 내 컴퓨터 설명서
- 내 장치 설명서
- 데스크탑 시스템 소프트웨어 (DSS)

### 찾을 위치

#### Drivers and Utilities CD (ResourceCD)

**주 :** *Drivers and Utilities* CD 는 선택사양이며 일부 컴퓨터에 제공됩니다.

설명서와 드라이버는 이미 컴퓨터에 설치되어 있습니다. 본 CD 를 사용하여 드라이버를 재설치하거나 (227 페이지의 "Drivers and Utilities CD 사용" 참조), Dell 진단 프로그램을 실행하거나 (216 페이지의 "Dell 진단 프로그램" 참조) 또는 설명서를 참조하십시오.



CD 에 포함된 readme 파일은 컴퓨터의 기술 변경 사항과 관련된 최신 정보가 수록되어 있으며 전문가와 숙련가를 대상으로 한 고급 기술 참조 자료입니다.

**주 :** 드라이버 및 설명서 업데이트는 [support.dell.com](http://support.dell.com) 에서 찾을 수 있습니다.

- 부품 분리 및 교체 방법
- 사양
- 시스템 설정 구성 방법
- 문제 해결 방법

#### Dell™ OptiPlex™ 사용 설명서

Microsoft Windows XP 도움말 및 지원 센터

**1** 시작 → 도움말 및 지원 → Dell 사용 및 시스템 설명서 → 시스템 설명서를 클릭합니다.

**2** 컴퓨터에 대한 *사용 설명서*를 클릭합니다.

*사용 설명서*는 옵션의 *Drivers and Utilities* CD 에서도 사용할 수 있습니다.

---

## 찾는 정보

- 보증 정보
- 조건 및 조항 ( 미국에 한함 )
- 안전 지침
- 규정사항
- 인체공학적 정보
- 최종 사용자 사용권 계약서

---

## 찾을 위치

### Dell™ 제품 정보 안내



- 
- 내 운영 체제 재설치 방법

### 운영 체제 CD

**주 :** 운영 체제 CD 는 선택 사양이며 일부 컴퓨터에 제공됩니다.

운영 체제는 이미 시스템에 설치되어 있습니다. 운영 체제를 재설치하려면, 운영 체제 CD(224 페이지의 "Microsoft Windows XP 재설치" 참조) 를 사용하십시오.



운영 체제를 재설치한 후에 옵션의 *Drivers and Utilities CD (ResourceCD)* 를 사용하여 컴퓨터와 함께 제공된 장치에 맞는 드라이버를 재설치하십시오. 자세한 내용은 177 페이지의 "Drivers and

*Utilities CD (ResourceCD)*" 를 참조하십시오.

운영 체제 Product Key 레이블은 컴퓨터에 부착되어 있습니다 (179 페이지의 "서비스 태그 및 Microsoft® Windows® Product Key" 참조).

**주 :** 운영 체제 CD 의 색상은 주문한 운영 체제에 따라 다릅니다.

- 
- Windows XP 사용 방법
  - 프로그램과 파일로 작업하는 방법
  - 데스크탑을 개인화하는 방법

### Windows 도움말 및 지원 센터

- 1 시작 → 도움말 및 지원을 클릭합니다.
- 2 문제를 설명해주는 단어 나 문장을 입력한 다음 화살표 아이콘을 클릭합니다.
- 3 문제를 설명해주는 항목을 클릭합니다.
- 4 화면의 지시사항을 따릅니다.

## 찾는 정보

- 서비스 태그 및 특급 서비스 코드
- Microsoft Windows Product Key 레이블

## 찾을 위치

### 서비스 태그 및 Microsoft® Windows® Product Key

이 레이블은 컴퓨터에 있습니다.

- [support.dell.com](http://support.dell.com)

에 액세스하거나 기술 지원을 문의할 때 서비스 태그를 사용하여 컴퓨터를 확인하십시오.



- 지원을 문의할 경우 특급 서비스 코드를 입력하면 빠르게 처리됩니다.

- Solutions( 해결 ) — 문제 해결 힌트와 추가 정보, 기술 자료부터의 참고 자료, 온라인 코스 및 자주 묻는 질문 (FAQ)
- Community( 커뮤니티 ) — 다른 Dell 고객과 온라인 토론
- Upgrades( 업그레이드 ) — 메모리, 하드 드라이브, 운영 체제와 같은 구성요소 업그레이드 정보
- Customer Care(고객 관리) — 연락처 정보, 서비스 콜 및 주문 상태, 보증, 수리 정보
- Service and support( 서비스 및 지원 ) — 서비스 콜 상태 및 지원 기록, 서비스 연락처, 지원이 제공되는 온라인 토론
- Reference( 참조 ) — 컴퓨터 설명서, 내 컴퓨터 구성에 관한 세부사항, 제품 사양 및 백서
- Downloads(다운로드) — 보증된 드라이버, 패치, 소프트웨어 업데이트
- Desktop System Software( 데스크탑 시스템 소프트웨어 ; DSS ) — 컴퓨터의 운영체제를 재설치하면 DSS 유틸리티 또한 재설치해야 합니다. DSS 는 자동으로 사용자의 컴퓨터와 운영 체제를 감지하여 사용자 구성에 적합한 업데이트를 설치하며 사용자의 운영 체제에 필요한 중요 업데이트를 제공하는 것은 물론, Dell™ 3.5-인치 USB 플로피 드라이브, Intel® 프로세서, 광 드라이브 및 USB 장치를 지원합니다. DSS 는 Dell 컴퓨터가 올바르게 작동하는 데 필요합니다.

### Dell 지원 웹 사이트 — [support.dell.com](http://support.dell.com)

**주 :** 사용자의 지역 또는 업종 분야를 선택하여 알맞은 지원 사이트를 찾습니다.

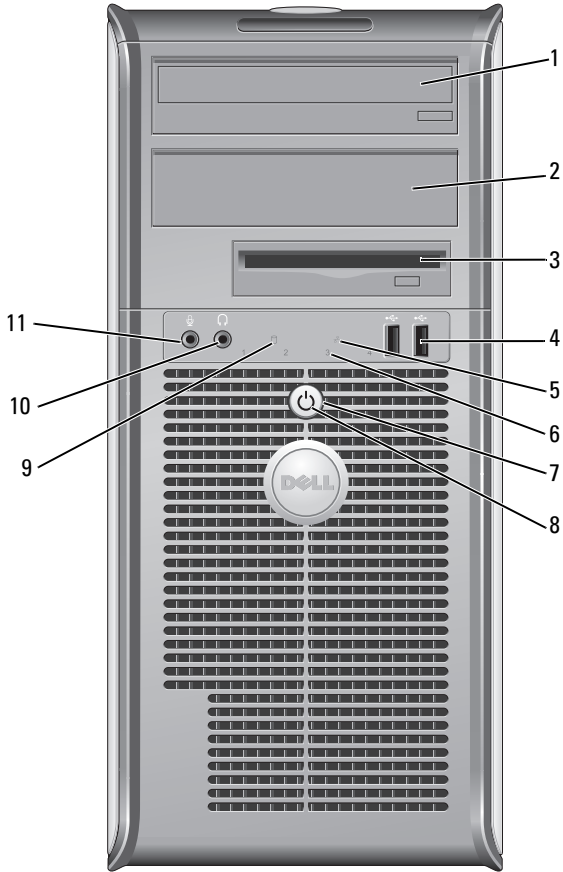
데스크탑 시스템 소프트웨어를 다운로드 하려면 :



- 1 [support.dell.com](http://support.dell.com) 으로 가서 사용자의 지역 또는 업종 분야를 선택하고 서비스 태그를 입력합니다.
- 2 **Drivers & Downloads(드라이버 및 다운로드)** 를 선택하고 **Go(이동)** 를 클릭합니다.
- 3 운영 체제를 클릭하고 **Desktop System Software( 데스크탑 시스템 소프트웨어 ) 키워드로 검색합니다.**

**주 :** [support.dell.com](http://support.dell.com) 사용자 인터페이스는 사용자의 선택사항에 따라 다를 수 있습니다.

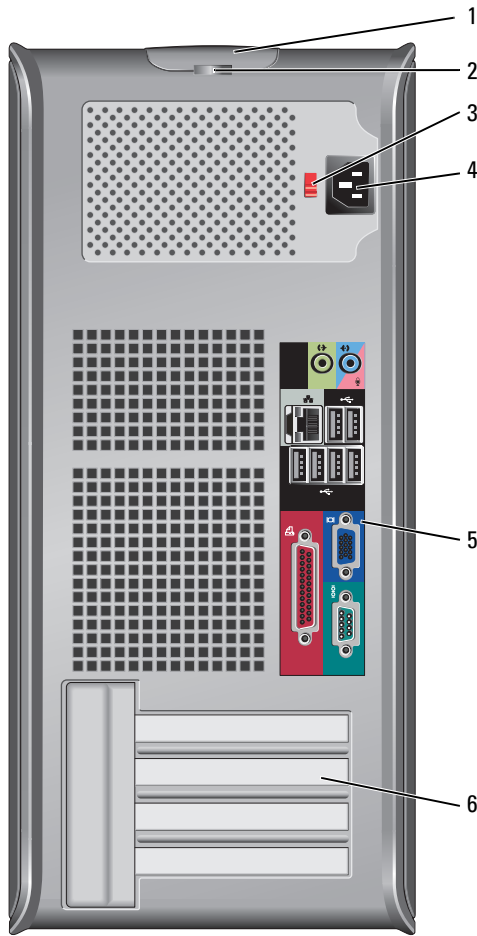
# 시스템 보기

## 미니 타워 컴퓨터 — 전면 모습



- |    |                 |  |
|----|-----------------|--|
| 1  | 5.25 인치 드라이브 베이 | 광 드라이브 포함 가능. 이 드라이브에 CD 나 DVD( 지원되는 경우 ) 를 넣습니다.  |
| 2  | 5.25 인치 드라이브 베이 | 광 드라이브 포함 가능. 이 드라이브에 CD 나 DVD( 지원되는 경우 ) 를 넣습니다.  |
| 3  | 3.5 인치 드라이브 베이  | 광 플로피 드라이브 혹은 광 미디어 카드 리더 포함 가능.   |
| 4  | USB 2.0 커넥터 (2) | 조이스틱이나 카메라 또는 부팅가능 USB 장치 (USB 장치로 부팅에 관한 자세한 내용은 온라인 <i>사용 설명서</i> 참조) 와 같은 가끔씩 연결하는 장치에 대해서 전면의 USB 커넥터를 사용하십시오.<br><br>대개 프린터와 키보드처럼 항상 연결되어 있는 장치 및 USB 부팅 장치의 경우 뒤쪽 USB 커넥터를 사용할 것을 권장합니다.  |
| 5  | LAN 표시등         | 이 표시등은 LAN(local area network) 연결이 되었음을 표시합니다.   |
| 6  | 진단 표시등          | 진단 코드를 바탕으로 컴퓨터의 문제를 해결하는데 사용하는 표시등입니다. 자세한 내용은 219 페이지의 "진단 표시등" 을 참조하십시오.  |
| 7  | 전원 버튼           | 이 버튼을 누르면 컴퓨터의 전원이 켜집니다.<br><br><div style="margin-left: 20px;">  <b>주의사항</b> : 데이터 손실을 방지하려면 컴퓨터의 전원을 끌 때 전원 버튼을 사용하지 마십시오. 대신 운영 체제에서 시스템 종료를 수행하십시오. 자세한 내용은 195 페이지의 "시작하기 전에" 를 참조하십시오. </div> <div style="margin-left: 20px;">  <b>주의사항</b> : 운영 체제에서 ACPI 를 사용할 경우 전원 버튼을 누르면 컴퓨터가 운영 체제 종료를 수행합니다. </div>      |
| 8  | 전원 표시등          | 전원 표시등은 켜지고 깜박이거나 켜진 상태를 통해 각기 다른 운영모드를 나타냅니다.<br><ul style="list-style-type: none"> <li>• 표시등이 꺼져 있음 — 컴퓨터가 꺼져 있습니다.</li> <li>• 녹색으로 켜져 있음 — 컴퓨터가 정상적으로 작동합니다.</li> <li>• 녹색으로 깜박임 — 컴퓨터가 절전 상태입니다.</li> <li>• 깜박이거나 짙은 황색일때 — 온라인 <i>사용 설명서</i>를 참조하십시오.</li> </ul> 절전 모드를 벗어나려면, 전원 버튼을 누르거나 키보드나 마우스를 사용하십시오 (Windows 장치 관리자에서 재개 장치로 설정된 경우). 슬립 모드에 관한 자세한 내용과 절전 모드를 벗어나려면, 온라인 <i>사용 설명서</i> 를 참조하십시오.<br>컴퓨터에 발생한 문제를 해결하는 데 도움을 주는 표시등 코드에 관한 설명은 218 페이지의 "시스템 표시등" 을 참조하십시오. |
| 9  | 하드 드라이브 작동 표시등  | 하드 드라이브를 사용중일 때 이 표시등이 깜박입니다.  |
| 10 | 헤드폰 커넥터         | 헤드폰 커넥터를 사용하여 헤드폰과 대부분의 스피커를 연결할 수 있습니다.   |
| 11 | 마이크로폰 커넥터       | 마이크로폰 커넥터를 사용하여 마이크로폰을 연결합니다.  |

## 미니 타워 컴퓨터 — 후면 모습



- 1 덮개 분리 래치
- 2 자물쇠 고리
- 3 전압 선택 스위치

이 래치로 컴퓨터 덮개를 열 수 있습니다.

자물쇠를 걸어 컴퓨터 덮개를 잠급니다.

사용자의 컴퓨터에는 수동 전압 전색 스위치가 있습니다.

컴퓨터가 손상되지 않도록 하려면 전압 선택 스위치를 수동으로 조작하여 해당 지역에서 사용하는 AC 전원 에 가장 가까운 전압으로 설정하십시오.

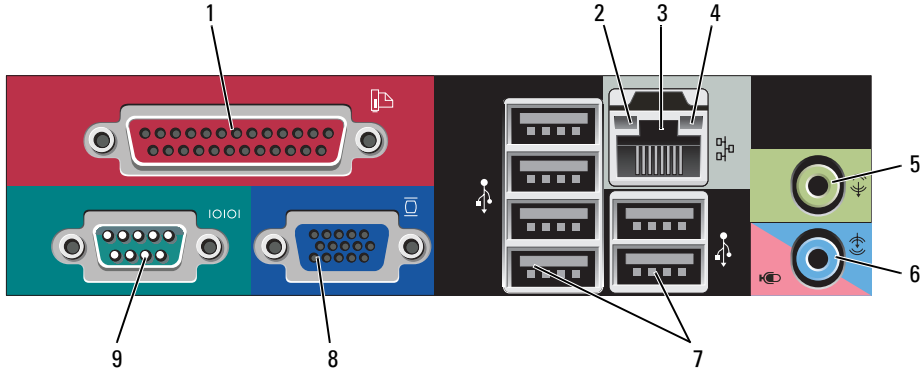


**주의사항:** 일본에서 제공되는 AC 전원이 100V 인 경우에도 전압 선택 스위치는 115V 로 설정해야 합니다.

모니터 및 연결된 장치의 전기 등급이 해당 지역에서 사용하는 AC 전원으로 작동하고 있는지 확인하십시오.

- 4 전원 커넥터 전원 케이블을 꽂습니다.
- 5 후면 패널 커넥터 시리얼, USB 및 기타 장치를 해당 커넥터에 꽂으십시오 (183 페이지의 "미니 타워 컴퓨터 — 후면 패널 커넥터" 참조).
- 6 카드 슬롯 설치된 PCI 및 PCI Express 카드의 커넥터에 액세스합니다.

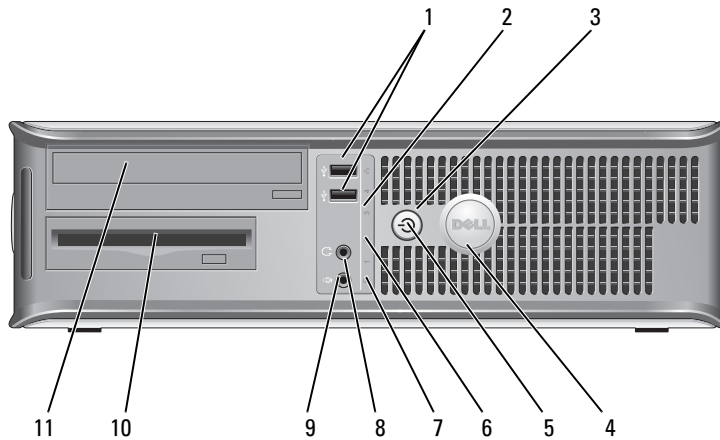
## 미니 타워 컴퓨터 — 후면 패널 커넥터



- 1 병렬 커넥터 프린터와 같은 병렬 장치는 병렬 커넥터에 연결합니다. USB 프린터를 사용하는 경우에는 USB 커넥터에 연결하십시오.  
**주:** 내장형 병렬 커넥터는 컴퓨터에 같은 주소로 구성된 병렬 커넥터가 포함된 카드가 설치되어 있음을 감지하면 자동으로 비활성화 됩니다. 자세한 내용은 온라인 사용 설명서를 참조하십시오.
- 2 링크 무결성 표시등
  - 녹색 — 10Mbps 네트워크와 컴퓨터의 연결 상태가 좋습니다.
  - 주황색 — 100Mbps 네트워크와 컴퓨터의 연결 상태가 좋습니다.
  - 황색 — 1000Mbps (1Gbps) 네트워크와 컴퓨터의 연결 상태가 좋습니다.
  - 꺼짐 — 컴퓨터와 네트워크의 물리적인 연결이 감지되지 않았음을 의미합니다.
- 3 네트워크 어댑터 커넥터 이 컴퓨터를 네트워크 또는 광대역 장치에 연결하려면 네트워크 케이블의 한쪽 끝을 네트워크 잭이나 네트워크 또는 광대역 장치에 연결하십시오. 네트워크 케이블의 다른 한쪽 끝을 컴퓨터 후면 패널의 네트워크 어댑터 커넥터에 연결하십시오. 딸깍 소리가 들리면 네트워크 케이블이 정확히 연결된 것입니다.  
**주:** 전화 케이블을 네트워크 커넥터에 꽂으십시오.  
네트워크 커넥터가 있는 컴퓨터의 경우, 카드의 커넥터를 사용합니다.  
네트워크에 범주 5의 전선과 커넥터를 사용할 것을 권장합니다. 범주 3의 전선을 사용해야 하는 경우에는 안정적으로 작동할 수 있도록 네트워크 속도를 10Mbps로 설정하십시오.



- 4 네트워크 작동 표시등 컴퓨터가 네트워크에서 데이터를 송수신할 때 황색 표시등이 깜박입니다. 네트워크 트래픽이 많을 경우 이 표시등은 계속 "켜짐" 상태를 유지합니다.
- 5 출력 라인 커넥터 녹색 출력 라인 커넥터에는 앰프가 내장되어 있는 대부분의 스피커를 연결합니다.
- 6 입력 라인/마이크로폰 커넥터 청색 및 분홍색 입력 라인/마이크로폰 커넥터에는 카세트 플레이어, CD 플레이어, VCR 등의 녹음/재생 장치를 연결하거나, 사운드나 전화 통신 프로그램에 음성이나 음악 입력을 위한 PC 용 마이크를 연결합니다.
- 7 USB 2.0 커넥터 (6) 대개 프린터와 키보드처럼 항상 연결되어 있는 장치의 경우 뒤쪽 USB 커넥터를 사용하십시오.
- 8 비디오 커넥터 VGA- 호환 모니터의 케이블을 청색 커넥터에 연결합니다.  
**주:** 옵션의 그래픽 카드를 구입한 경우 이 커넥터는 캡으로 덮여 있습니다. 모니터를 그래픽 카드의 커넥터에 연결하십시오. 캡을 벗겨내지 마십시오.  
**주:** 이중 모니터를 지원하는 그래픽 카드를 사용하는 경우 컴퓨터와 함께 제공되는 y 케이블을 사용하십시오.
- 9 직렬 커넥터 소형 장치와 같은 직렬 장치를 직렬 포트에 연결합니다. 직렬 커넥터 1의 기본 지정지는 COM1 이고 직렬 커넥터 2의 기본 지정지는 COM2 입니다.  
 자세한 내용은 온라인 *사용 설명서*를 참조하십시오.

## 데스크탑 컴퓨터 — 전면 모습

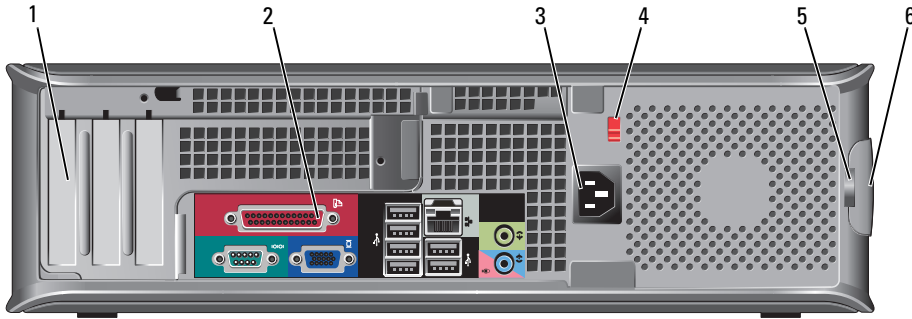


- 1 USB 2.0 커넥터 (2) 조이스틱이나 카메라 또는 부팅가능 USB 장치 (USB 장치로 부팅에 관한 자세한 내용은 온라인 *사용 설명서* 참조) 와 같은 가끔씩 연결하는 장치에 대해서 전면의 USB 커넥터를 사용하십시오.  
 대개 프린터와 키보드처럼 항상 연결되어 있는 장치 및 USB 부팅 장치의 경우 뒤쪽 USB 커넥터를 사용할 것을 권장합니다.
- 2 LAN 표시등 이 표시등은 LAN(local area network) 연결이 되었음을 표시합니다.



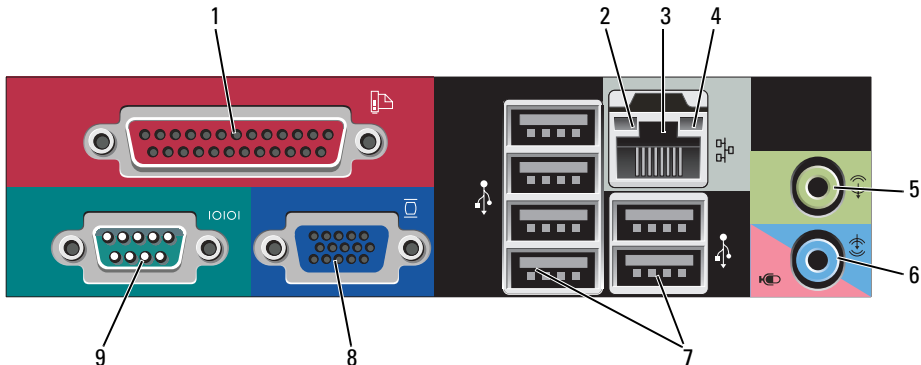
- 3 전원 버튼 이 버튼을 누르면 컴퓨터의 전원이 켜집니다.
-  **주의사항**: 데이터 손실을 방지하려면 컴퓨터의 전원을 끌 때 전원 버튼을 사용하지 마십시오. 대신 운영 체제에서 시스템 종료를 수행하십시오. 자세한 내용은 195 페이지의 "시작하기 전에" 를 참조하십시오.
-  **주의사항**: 운영 체제에서 ACPI 를 사용할 경우 전원 버튼을 누르면 컴퓨터가 운영 체제 종료를 수행합니다.
- 4 Dell 배지 (badge) 이 배지를 컴퓨터의 방향과 일치하도록 돌릴 수 있습니다. 돌리려면 배지 바깥쪽에 손가락을 놓고 꼭 누른다음 배지를 돌리면 됩니다. 배지 바닥에 있는 슬롯을 사용하여 배지를 돌릴 수도 있습니다.
- 5 전원 표시등 전원 표시등은 켜지고 깜박이거나 켜진 상태를 통해 각기 다른 운영상태를 나타냅니다:
- 표시등이 꺼져 있음 — 컴퓨터가 꺼져 있습니다.
  - 녹색으로 켜져 있음 — 컴퓨터가 정상적으로 작동합니다.
  - 녹색으로 깜박임 — 컴퓨터가 절전 상태입니다.
  - 깜박이거나 짙은 황색일때 — 온라인 *사용 설명서*를 참조하십시오.
- 절전 모드를 벗어나려면, 전원 버튼을 누르거나 키보드나 마우스를 사용하십시오 (Windows 장치 관리자에서 재개 장치로 설정된 경우). 슬립 모드에 관한 자세한 내용과 절전 모드를 벗어나려면, 온라인 *사용 설명서*를 참조하십시오. 컴퓨터에 발생한 문제를 해결하는 데 도움을 주는 표시등 코드에 관한 설명은 218 페이지의 "시스템 표시등" 을 참조하십시오.
- 6 진단 표시등 진단 코드를 바탕으로 컴퓨터의 문제를 해결하는데 사용하는 표시등입니다. 자세한 내용은 219 페이지의 "진단 표시등" 을 참조하십시오.
- 7 하드 드라이브 작동 표시등 하드 드라이브를 사용중일 때 이 표시등이 깜박입니다.
- 8 헤드폰 커넥터 헤드폰 커넥터를 사용하여 헤드폰과 대부분의 스피커를 연결할 수 있습니다.
- 9 마이크로폰 커넥터 마이크로폰 커넥터를 사용하여 마이크로폰을 연결합니다.
- 10 3.5 인치 드라이브 베이 광 플로피 드라이브 혹은 광 미디어 카드 리더 포함 가능.
- 11 5.25 인치 드라이브 베이 광 드라이브 포함 가능. 이 드라이브에 CD 나 DVD( 지원되는 경우 ) 를 넣습니다.

## 데스크탑 컴퓨터 — 후면 모습



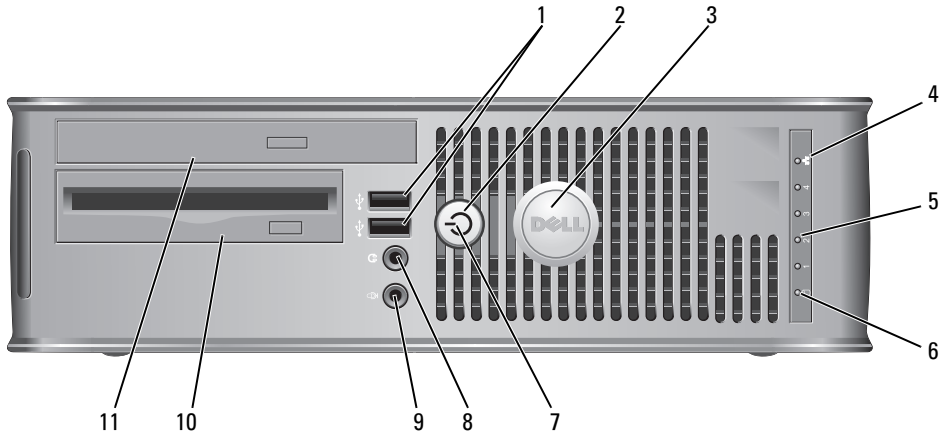
- |   |           |  |
|---|-----------|--|
| 1 | 카드 슬롯     | 설치된 PCI 및 PCI Express 카드의 커넥터에 액세스합니다.   |
| 2 | 후면 패널 커넥터 | 시리얼, USB 및 기타 장치를 해당 커넥터에 꽂으십시오 (186 페이지의 " 데스크탑 컴퓨터 — 후면 패널 커넥터 " 참조).  |
| 3 | 전원 커넥터    | 전원 케이블을 꽂습니다.  |
| 4 | 전압 선택 스위치 | 사용자의 컴퓨터에는 수동 전압 선택 스위치가 있습니다.<br>컴퓨터가 손상되지 않도록 하려면 전압 선택 스위치를 수동으로 조작하여 해당 지역에서 사용하는 AC 전원에 가장 가까운 전압으로 설정하십시오. |
|   |           | <b>➡ 주의사항:</b> 일본에서 제공되는 AC 전원이 100V 인 경우에도 전압 선택 스위치는 115V 로 설정해야 합니다.  |
|   |           | 모니터 및 연결된 장치의 전기 등급이 해당 지역에서 사용하는 AC 전원으로 작동하고 있는지 확인하십시오.   |
| 5 | 자물쇠 고리    | 자물쇠를 걸어 컴퓨터 덮개를 잠급니다.  |
| 6 | 덮개 분리 래치  | 컴퓨터 덮개를 열 수 있게 해줍니다.   |

## 데스크탑 컴퓨터 — 후면 패널 커넥터



- 1 병렬 커넥터  
프린터와 같은 병렬 장치는 병렬 커넥터에 연결합니다. USB 프린터를 사용하는 경우에는 USB 커넥터에 연결하십시오.  
**주:** 내장형 병렬 커넥터는 컴퓨터에 같은 주소로 구성된 병렬 커넥터가 포함된 카드가 설치되어 있음을 감지하면 자동으로 비활성화됩니다. 자세한 내용은 온라인 *사용 설명서*를 참조하십시오.
- 2 링크 무결성 표시등
  - 녹색 — 10Mbps 네트워크와 컴퓨터의 연결 상태가 좋음을 나타냅니다.
  - 주황색 — 100Mbps 네트워크와 컴퓨터의 연결 상태가 좋음을 나타냅니다.
  - 황색 — 1000Mbps(1Gbps) 네트워크와 컴퓨터의 연결 상태가 좋음을 나타냅니다.
  - 꺼짐 — 컴퓨터와 네트워크의 물리적인 연결이 감지되지 않았음을 의미합니다.
- 3 네트워크 어댑터 커넥터  
이 컴퓨터를 네트워크 또는 광대역 장치에 연결하려면 네트워크 케이블의 한쪽 끝을 네트워크 잭이나 네트워크 또는 광대역 장치에 연결하십시오. 네트워크 케이블의 다른 한쪽 끝을 컴퓨터 후면 패널의 네트워크 어댑터 커넥터에 연결하십시오. 딸깍 소리가 들리면 네트워크 케이블이 정확히 연결된 것입니다.  
**주:** 전화 케이블을 네트워크 커넥터에 꽂으십시오.  
네트워크 커넥터가 있는 컴퓨터의 경우, 카드의 커넥터를 사용합니다.  
네트워크에 범주 5의 전선과 커넥터를 사용할 것을 권장합니다. 범주 3의 전선을 사용해야 하는 경우에는 안정적으로 작동할 수 있도록 네트워크 속도를 10Mbps로 설정하십시오.
- 4 네트워크 작동 표시등  
컴퓨터가 네트워크에서 데이터를 송수신할 때 황색 표시등이 깜박입니다. 네트워크 트래픽이 많을 경우 이 표시등은 계속 "켜짐" 상태를 유지합니다.
- 5 출력 라인 커넥터  
녹색 출력 라인 커넥터에는 앰프가 내장되어 있는 대부분의 스피커를 연결합니다.
- 6 입력 라인/마이크로폰 커넥터  
청색 및 분홍색 입력 라인/마이크로폰 커넥터에는 카세트 플레이어, CD 플레이어, VCR 등의 녹음/재생 장치를 연결하거나, 사운드나 전화 통신 프로그램에 음성이나 음악 입력을 위한 PC용 마이크로폰을 연결합니다.
- 7 USB 2.0 커넥터 (6)  
대개 프린터와 키보드처럼 항상 연결되어 있는 장치의 경우 뒤쪽 USB 커넥터를 사용하십시오.
- 8 비디오 커넥터  
VGA- 호환 모니터의 케이블을 청색 커넥터에 연결합니다.  
**주:** 옵션의 그래픽 카드를 구입한 경우 이 커넥터는 캡으로 덮여 있습니다. 모니터를 그래픽 카드의 커넥터에 연결하십시오. 캡을 벗겨내지 마십시오.  
**주:** 이 중 모니터를 지원하는 그래픽 카드를 사용하는 경우 컴퓨터와 함께 제공되는 y 케이블을 사용하십시오.
- 9 직렬 커넥터  
소형 장치와 같은 직렬 장치를 직렬 포트에 연결합니다. 직렬 커넥터 1의 기본 지정지는 COM1 이고 직렬 커넥터 2의 기본 지정지는 COM2 입니다.  
자세한 내용은 온라인 *사용 설명서*를 참조하십시오.

## 소형 폼팩터 (SFF) 컴퓨터 — 전면 모습



- |   |                 |   |
|---|-----------------|---|
| 1 | USB 2.0 커넥터 (2) | <p>조이스틱이나 카메라 또는 부팅가능 USB 장치 (USB 장치로 부팅에 관한 자세한 내용은 온라인 <a href="#">사용 설명서</a> 참조) 와 같은 가끔씩 연결하는 장치에 대해서 전면의 USB 커넥터를 사용하십시오.</p> <p>대개 프린터와 키보드처럼 항상 연결되어 있는 장치 및 USB 부팅 장치의 경우 뒤쪽 USB 커넥터를 사용할 것을 권장합니다.</p>                             |
| 2 | 전원 버튼           | <p>이 단추를 누르면 컴퓨터가 켜집니다.</p> <p><b>➡ 주의사항:</b> 데이터 손실을 방지하려면 컴퓨터의 전원을 끌 때 전원 버튼을 사용하지 마십시오. 대신 운영 체제에서 시스템 종료를 수행하십시오. 자세한 내용은 195 페이지의 "시작하기 전에" 를 참조하십시오.</p> <p><b>➡ 주의사항:</b> 운영 체제에서 ACPI 를 사용할 경우 전원 버튼을 누르면 컴퓨터가 운영 체제 종료를 수행합니다.</p> |
| 3 | Dell 배지 (badge) | <p>컴퓨터의 방향과 일치하도록 돌릴 수 있습니다. 돌리려면 배지 바깥쪽에 손가락을 놓고 꼭 누른다음 배지를 돌리면 됩니다. 배지 바닥에 있는 슬롯을 사용하여 배지를 돌릴 수도 있습니다.</p>  |
| 4 | LAN 표시등         | <p>이 표시등은 LAN 연결이 되었음을 표시합니다.</p>   |
| 5 | 진단 표시등          | <p>진단 코드를 바탕으로 컴퓨터의 문제를 해결하는데 사용하는 표시등입니다. 자세한 내용은 219 페이지의 "진단 표시등" 을 참조하십시오.</p>  |
| 6 | 하드 드라이브 작동 표시등  | <p>하드 드라이브를 사용중일 때 이 표시등이 깜박입니다.</p>  |

7 전원 표시등

전원 표시등은 켜지고 깜박이거나 켜진 상태를 통해 각기 다른 운영상태를 나타냅니다:

- 표시등이 꺼져 있음 — 컴퓨터가 꺼져 있습니다.
- 녹색으로 켜져 있음 — 컴퓨터가 정상적으로 작동합니다.
- 녹색으로 깜박임 — 컴퓨터가 절전 상태입니다.
- 깜박이거나 짙은 황색임 — 온라인 *사용 설명서*를 참조하십시오.

절전 모드를 벗어나려면, 전원 버튼을 누르거나 키보드나 마우스를 사용하십시오 (Windows 장치 관리자에서 재개 장치로 설정된 경우). 슬립 모드에 관한 자세한 내용과 절전 모드를 벗어나려면, 온라인 *사용 설명서*를 참조하십시오.

컴퓨터에 발생한 문제를 해결하는 데 도움을 주는 표시등 코드에 관한 설명은 218 페이지의 "시스템 표시등" 을 참조하십시오.

8 헤드폰 커넥터

헤드폰 커넥터를 사용하여 헤드폰과 대부분의 스피커를 연결할 수 있습니다.

9 마이크론 커넥터

마이크론 커넥터를 사용하여 마이크론을 연결합니다.

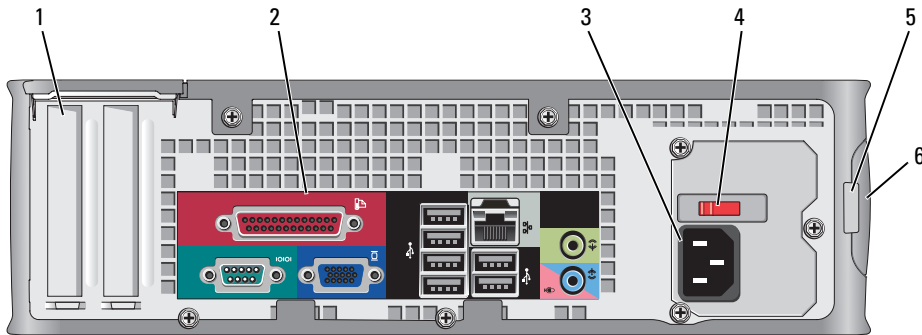
10 3.5 인치 드라이브 베이

옵션의 플로피 드라이브 혹은 옵션의 미디어 카드 리더 포함 가능.

11 5.25 인치 드라이브 베이

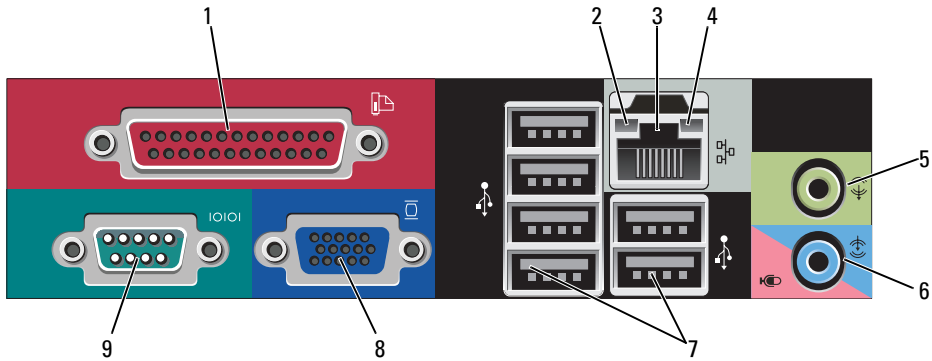
광 드라이브 포함 가능. 이 드라이브에 CD 나 DVD( 지원되는 경우 ) 를 넣습니다.

### 소형 폼팩터 (SFF) 컴퓨터 — 후면 모습



- 1 카드 슬롯                   설치된 PCI 및 PCI Express 카드의 커넥터에 액세스합니다.
- 2 후면 패널 커넥터       시리얼, USB 및 기타 장치를 해당 커넥터에 꽂으십시오 (190 페이지의 " 소형 폼팩터 (SFF) 컴퓨터 — 후면 패널 커넥터 " 참조).
- 3 전원 커넥터             전원 케이블을 꽂습니다.
- 4 전압 선택 스위치         사용자의 컴퓨터에는 수동 전압 선택 스위치가 있습니다.  
컴퓨터가 손상되지 않도록 하려면 전압 선택 스위치를 수동으로 조작하여 해당 지역에서 사용하는 AC 전원에 가장 가까운 전압으로 설정하십시오.  
**주의사항**: 일본에서 제공되는 AC 전원이 100V 인 경우에도 전압 선택 스위치는 115V 로 설정해야 합니다.  
모니터 및 연결된 장치의 전기 등급이 해당 지역에서 사용하는 AC 전원으로 작동하고 있는지 확인하십시오.
- 5 자물쇠 고리             자물쇠를 걸어 컴퓨터 덮개를 잠급니다.
- 6 덮개 분리 래치         컴퓨터 덮개를 열 수 있게 해줍니다.

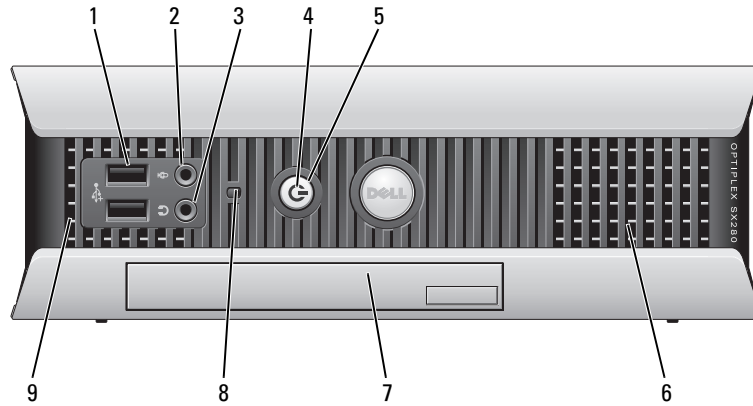
## 소형 폼팩터 (SFF) 컴퓨터 — 후면 패널 커넥터



- 1 병렬 커넥터             프린터와 같은 병렬 장치는 병렬 커넥터에 연결합니다. USB 프린터를 사용하는 경우에는 USB 커넥터에 연결하십시오.  
**주**: 내장형 병렬 커넥터는 컴퓨터에 같은 주소로 구성된 병렬 커넥터가 포함된 카드가 설치되어 있음을 감지하면 자동으로 비활성화 됩니다. 자세한 내용은 온라인 *사용 설명서*를 참조하십시오.
- 2 링크 무결성 표시등
  - 녹색 — 10Mbps 네트워크와 컴퓨터의 연결 상태가 좋습니다.
  - 주황색 — 100Mbps 네트워크와 컴퓨터의 연결 상태가 좋습니다.
  - 황색 — 1000Mbps(1Gbps) 네트워크와 컴퓨터의 연결 상태가 좋습니다.
  - 꺼짐 — 컴퓨터와 네트워크의 물리적인 연결이 감지되지 않았음을 의미합니다.

- 3 네트워크 어댑터 커넥터  
이 컴퓨터를 네트워크 또는 광대역 장치에 연결하려면 네트워크 케이블의 한쪽 끝을 네트워크 잭이나 네트워크 또는 광대역 장치에 연결하십시오. 네트워크 케이블의 다른 한쪽 끝을 컴퓨터 후면 패널의 네트워크 어댑터 커넥터에 연결하십시오. 딸깍 소리가 들리면 네트워크 케이블이 정확히 연결된 것입니다.  
**주:** 전화 케이블을 네트워크 커넥터에 꽂으십시오.  
네트워크 커넥터가 있는 컴퓨터의 경우, 카드의 커넥터를 사용합니다.  
네트워크에 범주 5의 전선과 커넥터를 사용할 것을 권장합니다. 범주 3의 전선을 사용해야 하는 경우에는 안정적으로 작동할 수 있도록 네트워크 속도를 10Mbps로 설정하십시오.
- 4 네트워크 작동 표시등  
컴퓨터가 네트워크에서 데이터를 송수신할 때 황색 표시등이 깜박입니다. 네트워크 트래픽이 많을 경우 이 표시등은 계속 "켜짐" 상태를 유지합니다.
- 5 출력 라인 커넥터  
녹색 출력 라인 커넥터 (사운드가 내장된 컴퓨터에서 사용 가능)에 내장형 증폭기가 있는 대부분의 스피커를 연결합니다.
- 6 입력 라인/마이크로폰 커넥터  
청색 및 분홍색 입력 라인/마이크로폰 커넥터 (사운드가 내장된 컴퓨터에서 사용 가능)에 카세트 플레이어, CD 플레이어, VCR 등의 녹음/재생 장치를 연결하거나, 사운드나 전화 통신 프로그램에 음성이나 음악 입력을 위한 PC용 마이크를 연결합니다.
- 7 USB 2.0 커넥터 (6)  
대개 프린터와 키보드처럼 항상 연결되어 있는 장치의 경우 뒤쪽 USB 커넥터를 사용하십시오.
- 8 비디오 커넥터  
VGA- 호환 모니터의 케이블을 청색 커넥터에 연결합니다.  
**주:** 옵션의 그래픽 카드를 구입한 경우 이 커넥터는 캡으로 덮여 있습니다. 모니터를 그래픽 카드의 커넥터에 연결하십시오. 캡을 벗겨내지 마십시오.  
**주:** 이 중 모니터를 지원하는 그래픽 카드를 사용하는 경우 컴퓨터와 함께 제공되는 y 케이블을 사용하십시오.
- 9 직렬 커넥터  
소형 장치와 같은 직렬 장치를 직렬 포트에 연결합니다. 직렬 커넥터 1의 기본 지정지는 COM1 이고 직렬 커넥터 2의 기본 지정지는 COM2 입니다.  
자세한 내용은 온라인 *사용 설명서*를 참조하십시오.

## 초소형 폼팩터 컴퓨터 — 전면 모습



- 1 USB 커넥터 (2)
 

조이스틱이나 카메라 또는 부팅가능 USB 장치 (USB 장치로 부팅에 관한 자세한 내용은 온라인 [사용 설명서](#) 참조) 와 같은 가끔씩 연결하는 장치에 대해서 전면의 USB 커넥터를 사용하십시오.

대개 프린터와 키보드처럼 항상 연결되어 있는 장치 및 USB 부팅 장치의 경우 뒤쪽 USB 커넥터를 사용할 것을 권장합니다.
- 2 헤드폰 커넥터
 

헤드폰 커넥터를 사용하여 헤드폰과 대부분의 스피커를 연결할 수 있습니다.
- 3 마이크로폰 커넥터
 

마이크로폰 커넥터를 사용하여 마이크로폰을 연결합니다.
- 4 전원 표시등
 

전원 표시등은 켜지거나 깜박거리는 작동을 통해 각기 다른 상태를 나타냅니다.

  - 표시등이 꺼져 있음 — 컴퓨터가 꺼져 있습니다.
  - 녹색으로 켜져 있음 — 컴퓨터가 정상적으로 작동합니다.
  - 녹색으로 깜박임 — 컴퓨터가 절전 상태입니다.
  - 깜박이거나 짙은 황색임 — 온라인 [사용 설명서](#)를 참조하십시오.

절전 모드를 벗어나려면, 전원 버튼을 누르거나 키보드나 마우스를 사용하십시오 (Windows 장치 관리자에서 재개 장치로 설정된 경우). 슬립 모드에 관한 자세한 내용과 절전 모드를 벗어나려면, 온라인 [사용 설명서](#)를 참조하십시오. 컴퓨터에 발생한 문제를 해결하는 데 도움을 주는 표시등 코드에 관한 설명은 218 페이지의 "시스템 표시등" 을 참조하십시오.
- 5 전원 버튼
 

이 버튼을 누르면 컴퓨터의 전원이 켜집니다.

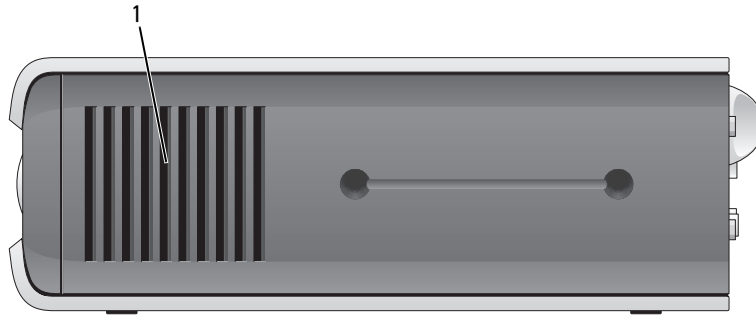
**➡ 주의사항:** 데이터 손실을 방지하려면 컴퓨터의 전원을 끌 때 전원 버튼을 사용하지 마십시오. 대신 운영 체제에서 시스템 종료를 수행하십시오. 자세한 내용은 195 페이지의 "시작하기 전에" 를 참조하십시오.
- 6 환풍구
 

환풍구는 컴퓨터가 과열되는 것을 방지해줍니다. 통풍이 잘 되도록 하려면 냉각 구멍을 막지 마십시오.



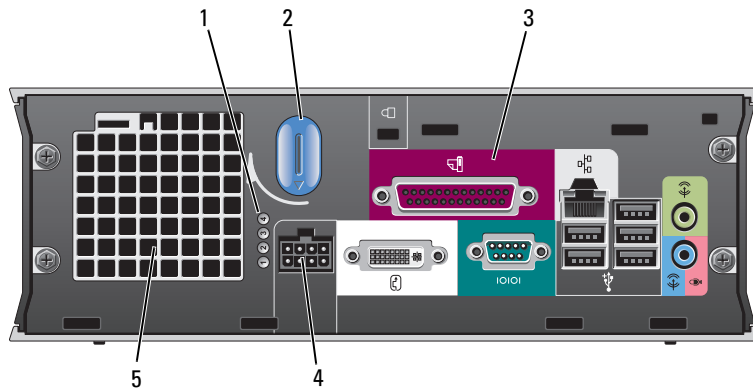
- 7 모듈 베이 D- 모듈 광 드라이브, 보조 하드 드라이브 또는 플로피 드라이브를 모듈 베이에 설치합니다.
- 8 하드 드라이브 사용 표시등 하드 드라이브 표시등은 컴퓨터가 하드 드라이브에서 데이터를 읽거나 저장할 때 켜집니다. 이 표시등은 CD 플레이어와 같은 장치가 작동할 때도 켜집니다.
- 9 환풍구 환풍구는 컴퓨터가 과열되는 것을 방지해줍니다. 통풍이 잘 되도록 하려면 냉각 구멍을 막지 마십시오.

### 초소형 폼팩터 컴퓨터 — 측면 모습



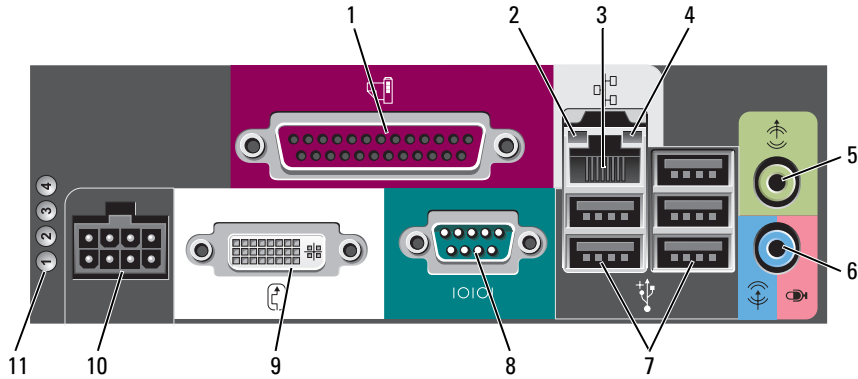
- 1 환풍구 컴퓨터의 각 측면에 있는 환풍구는 컴퓨터가 과열되는 것을 방지해줍니다. 통풍이 잘 되도록 하려면 냉각 구멍을 막지 마십시오.

### 초소형 폼팩터 컴퓨터 — 후면 모습



- |   |               |  |
|---|---------------|--|
| 1 | 진단 표시등        | 컴퓨터에 발생한 문제를 해결하는 데 도움을 주는 표시등 코드에 관한 설명은 219 페이지의 "진단 표시등"을 참조하십시오. |
| 2 | 컴퓨터 덮개 분리 손잡이 | 이 손잡이를 시계방향쪽으로 돌려 덮개를 제거합니다.   |
| 3 | 후면 패널 커넥터     | 컴퓨터용 커넥터 (194 페이지의 "초소형 폼팩터 컴퓨터 — 후면 패널 커넥터" 참조).                    |
| 4 | 전원 커넥터        | 전원 케이블을 꽂습니다.  |
| 5 | 환풍구           | 환풍구는 컴퓨터가 과열되는 것을 방지해줍니다. 통풍이 잘 되도록 하려면 냉각 구멍을 막지 마십시오.              |

## 초소형 폼팩터 컴퓨터 — 후면 패널 커넥터



- |   |            |   |
|---|------------|---|
| 1 | 병렬 커넥터     | 프린터와 같은 병렬 장치는 병렬 커넥터에 연결합니다. USB 프린터를 사용하는 경우에는 USB 커넥터에 연결하십시오.   |
| 2 | 링크 무결성 표시등 | <ul style="list-style-type: none"> <li>• 녹색 — 10Mbps 네트워크와 컴퓨터의 연결 상태가 좋음을 나타냅니다.</li> <li>• 주황색 — 100Mbps 네트워크와 컴퓨터의 연결 상태가 좋음을 나타냅니다.</li> <li>• 황색 — 1000Mbps(1Gbps) 네트워크와 컴퓨터의 연결 상태가 좋음을 나타냅니다.</li> <li>• 꺼짐 — 컴퓨터와 네트워크의 물리적인 연결이 감지되지 않았거나 네트워크 컨트롤러가 시스템 설치 프로그램에서 꺼져 있습니다.</li> </ul> |
| 3 | 네트워크 어댑터   | 이 컴퓨터를 네트워크 또는 광대역 장치에 연결하려면 네트워크 케이블의 한쪽 끝을 네트워크 잭이나 네트워크 또는 광대역 장치에 연결하십시오. 네트워크 케이블의 다른 한쪽 끝을 컴퓨터 후면 패널의 네트워크 어댑터 커넥터에 연결하십시오. 딸깍 소리가 들리면 네트워크 케이블이 정확히 연결된 것입니다.  |

**주:** 전화 케이블을 네트워크 커넥터에 꽂으십시오.


네트워크 커넥터가 있는 컴퓨터의 경우, 카드의 커넥터를 사용합니다.

네트워크에 범주 5의 전선과 커넥터를 사용할 것을 권장합니다. 범주 3의 전선을 사용해야 하는 경우에는 안정적으로 작동할 수 있도록 네트워크 속도를 10Mbps로 설정하십시오.


- |    |                   |   |
|----|-------------------|---|
| 4  | 네트워크 작동 표시등       | 컴퓨터가 네트워크에서 데이터를 송수신할 때 황색 표시등이 깜박입니다. 네트워크 트래픽이 많을 경우 이 표시등은 계속 "켜짐" 상태를 유지합니다.  |
| 5  | 출력 라인 커넥터         | 녹색 출력 라인 커넥터에는 증폭 스피커 세트를 연결합니다.  |
| 6  | 입력 라인 / 마이크로폰 커넥터 | 청색 및 분홍색 입력 라인 / 마이크로폰 커넥터에는 카세트 플레이어, CD 플레이어, VCR 등의 녹음 / 재생 장치를 연결하거나, 사운드나 전화 통신 프로그램에 음성이거나 음악 입력을 위한 PC 용 마이크로폰을 연결합니다. |
| 7  | USB 커넥터 (5)       | 대개 프린터와 키보드처럼 항상 연결되어 있는 장치의 경우 뒤쪽 USB 커넥터를 사용하십시오.   |
| 8  | 직렬 커넥터            | 소형 장치와 같은 직렬 장치를 직렬 커넥터에 연결합니다.   |
| 9  | 비디오 커넥터           | DVI- 호환 모니터가 있으면 모니터의 케이블을 후면 패널의 흰색 커넥터에 연결합니다.<br><br>VGA 모니터를 가지고 있으면 <i>사용 설명서</i> 의 "VGA 모니터 연결"을 참조하십시오.                |
| 10 | 전원 커넥터            | 전원 어댑터용 커넥터.  |
| 11 | 진단 표시등            | 컴퓨터에 발생한 문제를 해결하는 데 도움을 주는 표시등 코드에 관한 설명은 219 페이지의 "진단 표시등"을 참조하십시오.  |

## 컴퓨터 덮개 분리

 **주의 :** 이 항목의 절차를 수행하기 전에 *제품 정보 안내서*에 있는 안전 지침을 따르십시오.

 **주의 :** 전기 충격을 방지하려면 덮개를 분리하기 전에 항상 컴퓨터를 전원 콘센트에서 분리해놓으십시오.

### 시작하기 전에

 **주의사항 :** 데이터 손실을 방지하려면 컴퓨터를 끄기 전에 열려 있는 파일을 모두 저장한 후 닫고 실행 중인 프로그램을 모두 종료하십시오.

#### 1 운영 체제 종료 :

**a** 열려있는 모든 파일을 저장하고 닫은 후 열려있는 프로그램을 종료하고 **시작** 단추를 클릭한 다음 **컴퓨터 끄기**를 클릭하십시오.


**b** **컴퓨터 끄기** 창에서 **끄기**를 선택하십시오.  
운영 체제가 종료 과정을 완료하면 컴퓨터가 꺼집니다.

#### 2 컴퓨터 및 연결된 장치의 전원이 꺼져 있는지 확인합니다. 운영 체제를 종료할때 컴퓨터와 연결된 장치의 전원이 자동으로 꺼지지 않았을 경우 지금 끄십시오.

### 컴퓨터 내부를 작업하기 전에

컴퓨터가 손상되지 않도록 보호하고 사용자의 안전을 위해 다음 안전 지침을 따르십시오.

 **주의 :** 이 항목의 절차를 수행하기 전에 *제품 정보 안내서*에 있는 안전 지침을 따르십시오.

 **주의 :** 구성부품과 카드를 조심스럽게 다루십시오. 카드의 구성부품이나 단자를 만지지 마십시오. 카드를 잡을 때는 모서리나 금속 마운팅 브래킷을 잡으십시오. 프로세서와 같은 부품을 잡을 때는 핀을 만지지 말고 모서리를 잡으십시오.

- ➡ **주의사항** : 공인된 서비스 기술자만 컴퓨터를 수리해야 합니다 . Dell 에서 공인하지 않은 서비스로 인한 손상에 대해서는 보상하지 않습니다 .
- ➡ **주의사항** : 케이블을 분리할 때는 케이블을 직접 잡아 당기지 말고 커넥터나 고정 완화 끈을 잡고 분리하십시오 . 일부 케이블에는 잠금 장치가 있는 커넥터가 달려 있으므로 이와 같은 종류의 케이블을 분리하는 경우에는 잠금 탭을 누르고 분리하십시오 . 커넥터를 당겨 뺄 때는 똑바로 빼야 커넥터 핀이 휘지 않습니다 . 케이블을 연결하기 전에 두 커넥터가 올바르게 정렬되었는지도 확인하십시오 .

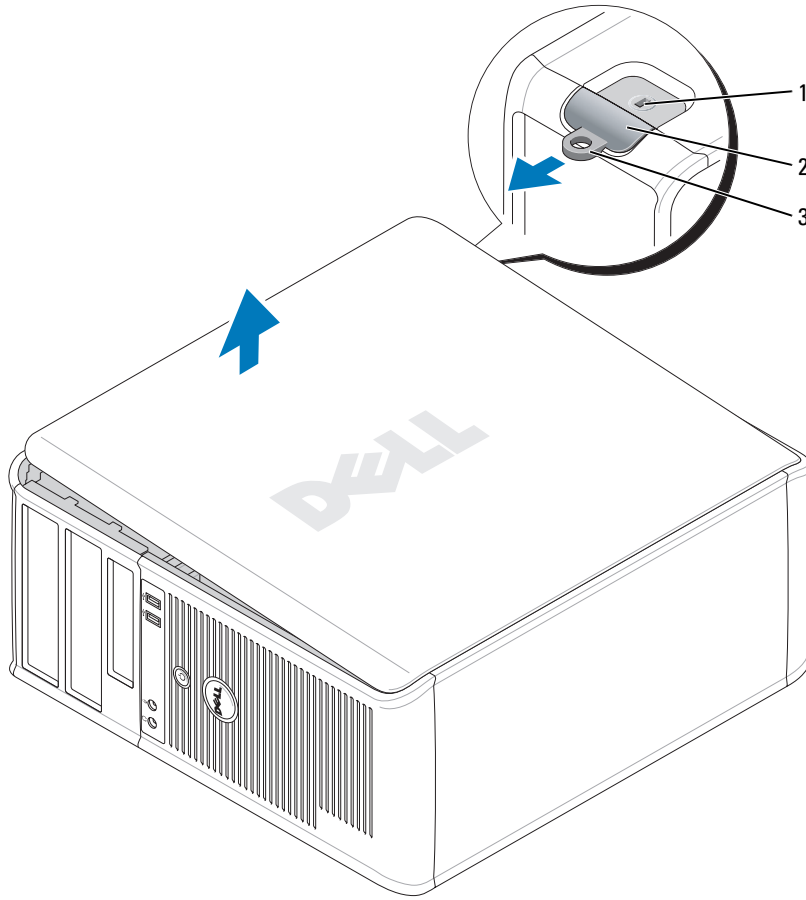
컴퓨터가 손상되지 않도록 하려면 컴퓨터 내부를 작업하기 전에 다음 단계를 수행하십시오 .

- 1 컴퓨터를 끄십시오 .
- ➡ **주의사항** : 네트워크 케이블을 분리하려면 먼저 컴퓨터에서 케이블을 분리한 다음 네트워크 벽면 잭에서 케이블을 분리하십시오 .
- 2 컴퓨터에 연결된 전화선이나 통신선도 분리하십시오 .
- 3 컴퓨터와 연결된 장치를 전원 콘센트에서 분리한 다음 전원 버튼을 눌러 시스템 보드를 방전시키십시오 .
- 4 해당되는 경우, 컴퓨터 받침대를 제거하십시오 ( 관련 지침은 받침대와 함께 제공되는 설명서를 참조하십시오 ) .
- ⚠ **주의** : 전기 충격을 방지하려면 덮개를 분리하기 전에 항상 컴퓨터를 전원 콘센트에서 분리해 놓으십시오 .
- 5 컴퓨터 덮개를 분리하십시오 .
  - 미니 타워 컴퓨터 덮개를 분리하십시오 ( 196 페이지의 " 미니 타워 컴퓨터 " 참조 ) .
  - 데스크탑 컴퓨터 덮개를 분리하십시오 ( 197 페이지의 " 데스크탑 컴퓨터 " 참조 ) .
  - 소형 폼팩터 ( SFF ) 컴퓨터 덮개를 분리하십시오 ( 198 페이지의 " 소형 폼팩터 ( SFF ) 컴퓨터 " 참조 ) .
  - 초소형 폼팩터 컴퓨터 덮개를 분리하십시오 ( 200 페이지의 " 초소형 폼팩터 컴퓨터 " 참조 ) .
- ➡ **주의사항** : 컴퓨터 내부의 부품을 만지기 전에 컴퓨터 뒷면 금속처럼 도색되지 않은 금속 표면을 만져 접지하십시오 . 작업하는 동안 컴퓨터의 도색되지 않은 금속 표면을 주기적으로 만져 내부 구성부품을 손상시킬 수 있는 정전기를 제거하십시오 .

## 미니 타워 컴퓨터

- ⚠ **주의** : 이 항목의 절차를 수행하기 전에 **제품 정보 안내**에 있는 안전 지침을 따르십시오 .
- ⚠ **주의** : 전기 충격을 방지하려면 컴퓨터 덮개를 분리하기 전에 항상 컴퓨터를 전원 콘센트에서 분리해 놓으십시오 .
- 1 195 페이지의 " 시작하기 전에 " 의 절차를 따르십시오 .
- 2 그림처럼 컴퓨터를 옆으로 눕히십시오 .
- 3 그림처럼 덮개 분리 래치를 찾으십시오 . 그 다음 덮개를 들어 올리면서 분리 래치를 다시 밀어 넣으십시오 .
- 4 컴퓨터 덮개의 측면을 잡고 연결쇠 탭을 이용하여 덮개를 작동 범위까지 들어 올립니다 .
- 5 연결쇠 탭에서 덮개를 분리하여 부드러운 비연마성 표면에 놓습니다 .

**⚠ 주의 :** 그래픽 카드 방열판은 정상 작동 중에 매우 뜨거워질 수 있습니다. 그래픽 카드 방열판을 만지기 전에 충분한 냉각 시간을 두십시오.



1 보안 케이블 슬롯

2 덮개 분리 래치

3 자물쇠 고리

## 데스크탑 컴퓨터

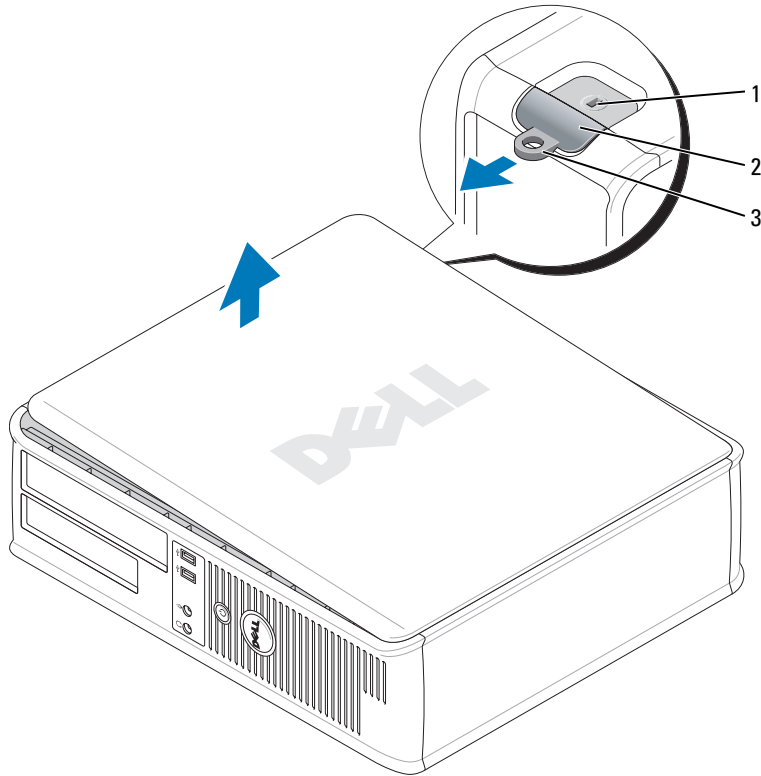
**⚠ 주의 :** 이 항목의 절차를 수행하기 전에 **제품 정보 안내**에 있는 안전 지침을 따르십시오.

**⚠ 주의 :** 전기 충격을 방지하려면 컴퓨터 덮개를 분리하기 전에 항상 컴퓨터를 전원 콘센트에서 분리해 놓으십시오.

- 1 195 페이지의 "시작하기 전에"의 절차를 따르십시오.
- 2 후면 패널의 자물쇠 고리에 자물쇠를 설치한 경우 자물쇠를 제거하십시오.

- 3 그림처럼 덮개 분리 래치를 찾으십시오. 그 다음 덮개를 들어 올리면서 분리 래치를 다시 밀어 넣으십시오.
- 4 컴퓨터 덮개의 측면을 잡고 연결쇠 탭을 이용하여 덮개를 작동 범위까지 들어 올립니다.
- 5 연결쇠 탭에서 덮개를 분리하여 부드러운 비연마성 표면에 놓습니다.

**⚠ 주의 :** 그래픽 카드 방열판은 정상 작동 중에 매우 뜨거워질 수 있습니다. 그래픽 카드 방열판을 만지기 전에 충분한 냉각 시간을 두십시오.



1 보안 케이블 슬롯

2 덮개 분리 래치

3 자물쇠 고리

### 소형 폼팩터 (SFF) 컴퓨터

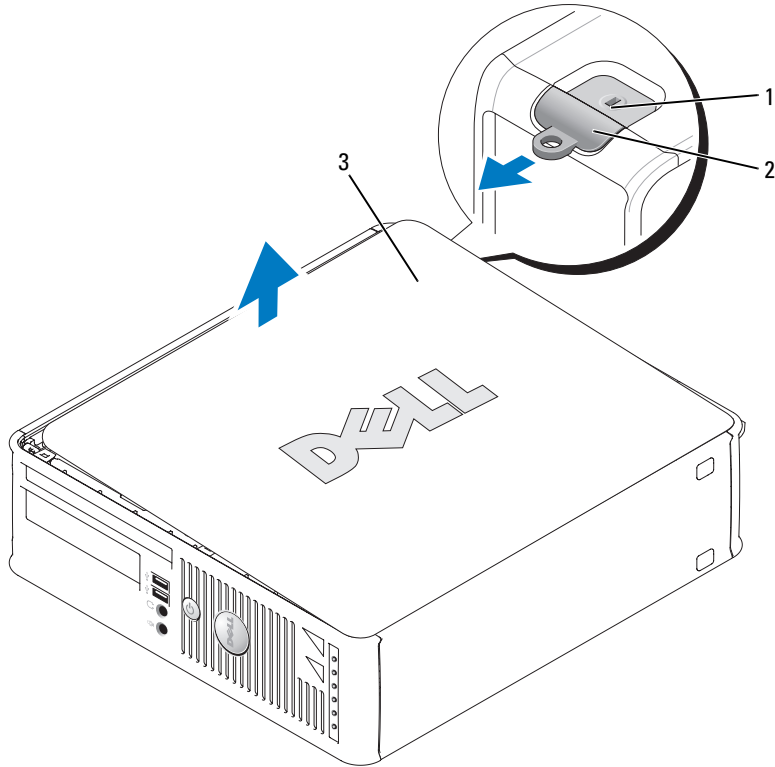
**⚠ 주의 :** 이 항목의 절차를 수행하기 전에 **제품 정보 안내**에 있는 안전 지침을 따르십시오.

**⚠ 주의 :** 전기 충격을 방지하려면 컴퓨터 덮개를 분리하기 전에 항상 컴퓨터를 전원 콘센트에서 분리해 놓으십시오.

- 1 195 페이지의 "시작하기 전에"의 절차를 따르십시오.
- 2 후면 패널의 자물쇠 고리에 자물쇠를 설치한 경우, 자물쇠를 제거하십시오.

- 3 그림처럼 덮개 분리 래치를 찾으십시오. 그 다음 덮개를 들어 올리면서 분리 래치를 다시 밀어 넣으십시오.
- 4 컴퓨터 덮개의 측면을 잡고 연결쇠의 밑부분을 지레를 사용하여 덮개를 돌립니다.
- 5 연결쇠 탭에서 덮개를 분리하여 부드러운 비연마성 표면에 놓습니다.

**!** 주의 : 그래픽 카드 방열판은 정상 작동 중에 매우 뜨거워질 수 있습니다. 그래픽 카드 방열판을 만지기 전에 충분한 냉각 시간을 두십시오.



1 보안 케이블 슬롯

2 덮개 분리 래치

3 컴퓨터 덮개

## 초소형 폼팩터 컴퓨터

**⚠ 주의 :** 이 항목의 절차를 수행하기 전에 **제품 정보 안내**에 있는 안전 지침을 따르십시오 .

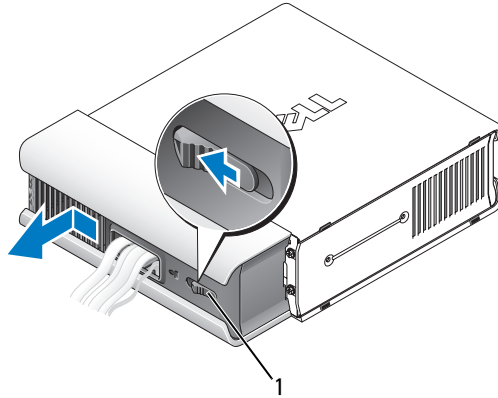
**⚠ 주의 :** 전기 충격을 방지하려면 컴퓨터 덮개를 분리하기 전에 항상 컴퓨터를 전원 콘센트에서 분리해 놓으십시오 .

1 195 페이지의 " 시작하기 전에 " 의 절차를 따르십시오 .

**➡ 주의사항 :** 컴퓨터 내부의 부품을 만지기 전에 도색되지 않은 금속 표면을 만져 접지하십시오 . 작업하는 동안 컴퓨터의 도색되지 않은 금속 표면을 주기적으로 만져 내부 구성부품을 손상시킬 수 있는 정전기를 제거하십시오 .

2 케이블 덮개를 분리하십시오 ( 해당되는 경우 ) .

a 보안 케이블 슬롯에 보안 장치가 설치되어 있으면 그 장치를 제거하십시오 .



1 분리 버튼

b 분리 버튼을 누른 뒤 , 케이블 덮개를 잡고 커버가 멈출 때까지 왼쪽으로 민 다음 , 케이블 덮개를 들어올립니다 .

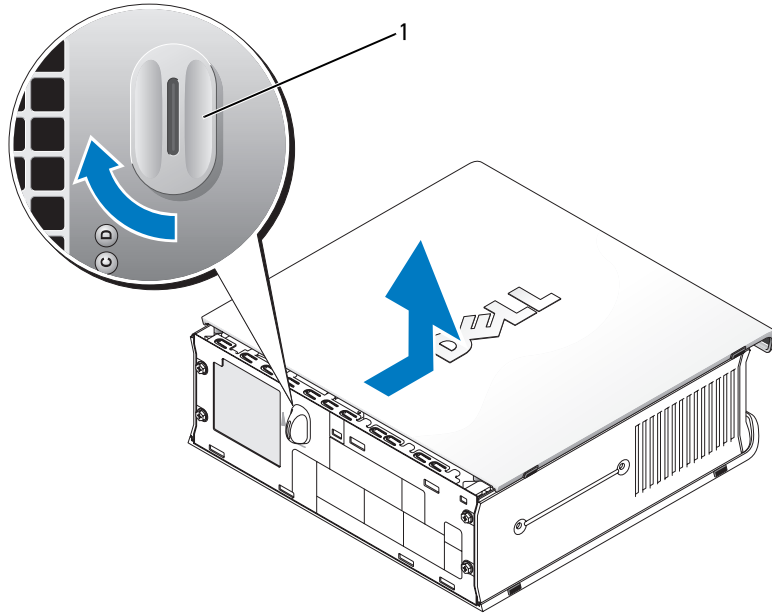
3 컴퓨터 덮개를 분리하십시오 .

a 그림과 같이 덮개 분리 손잡이를 시계 방향으로 돌립니다 .

b 컴퓨터 덮개를 앞쪽으로 약 1cm(0.5 인치 ) 정도 또는 멈출 때까지 밀고 덮개를 들어 올리십시오 .



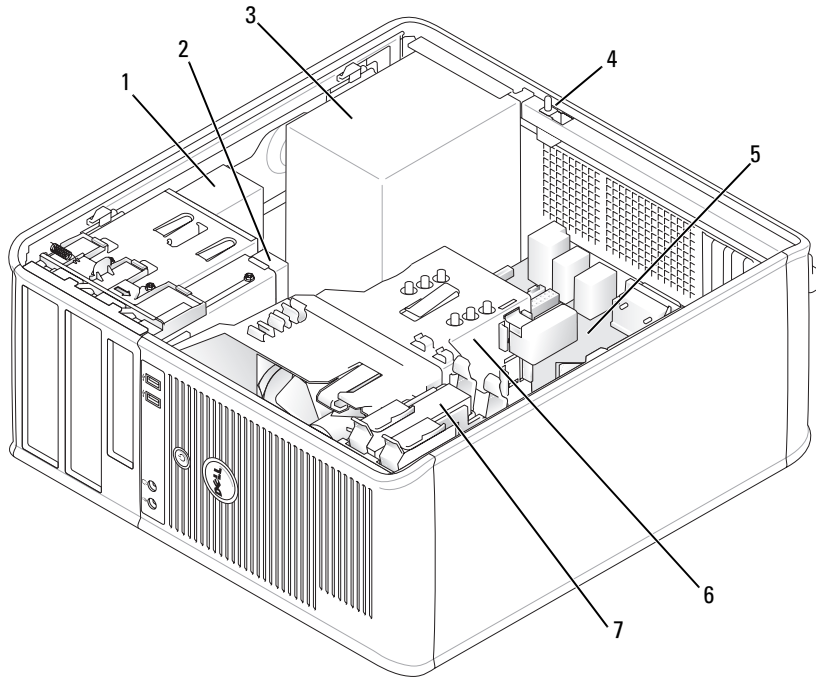
**⚠ 주의 :** 그래픽 카드 방열판은 정상 작동 중에 매우 뜨거워질 수 있습니다. 그래픽 카드 방열판을 만지기 전에 충분한 냉각 시간을 두십시오.



1 분리 손잡이

# 컴퓨터 내부

## 미니 타워 컴퓨터



1 광 드라이브

2 플로피 드라이브 또는 미디어 카드 리더

3 전원 공급 장치

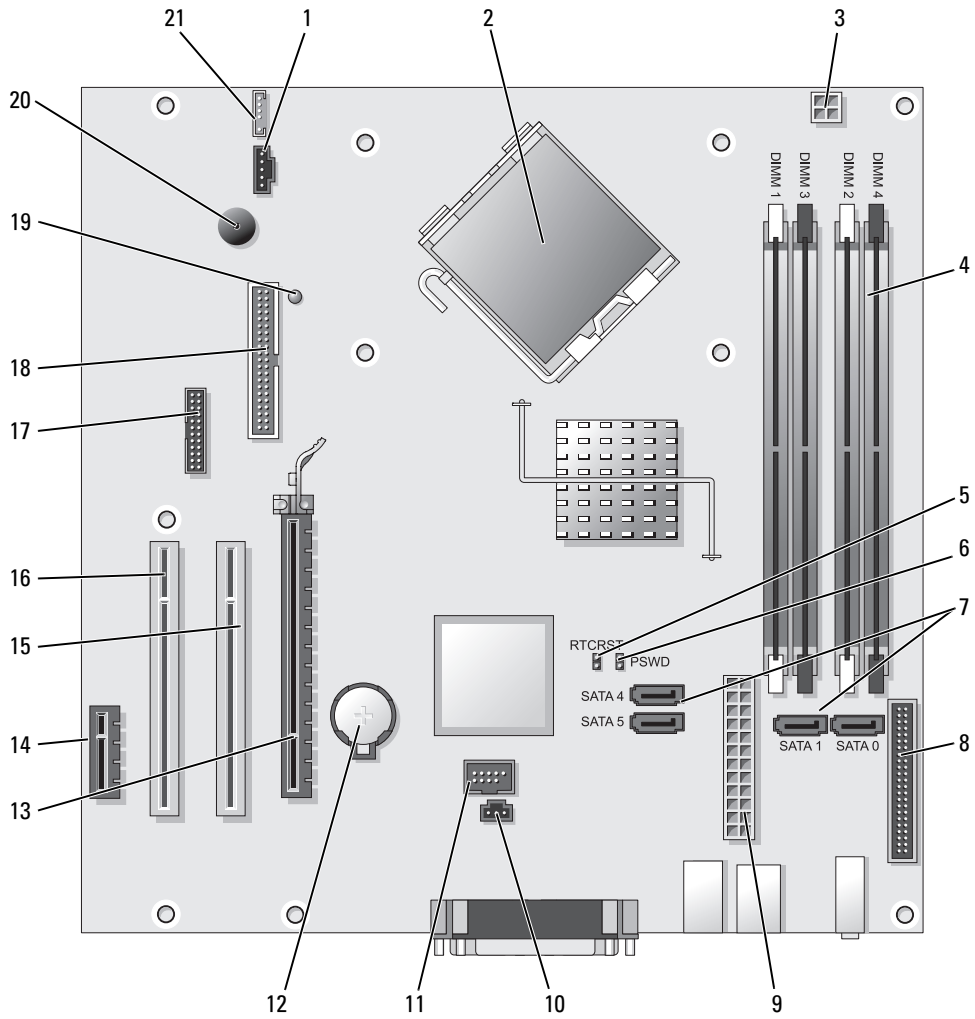
4 옵션의 새시 침입 스위치

5 시스템 보드

6 방열판 조립품

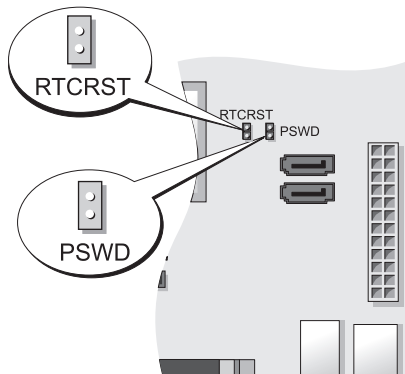
7 하드 드라이브

# 시스템 보드 구성부품



- |    |   |    |                             |
|----|---|----|-----------------------------|
| 1  | 팬 커넥터 (FAN)                                 | 12 | 전지 소켓 (BATT)                |
| 2  | 프로세서 커넥터 (CPU)                              | 13 | PCI Express x16 커넥터 (SLOT1) |
| 3  | 프로세서 전원 커넥터 (12VPOWER)                      | 14 | PCI Express x1 커넥터 (SLOT4)  |
| 4  | 메모리 모듈 커넥터 (DIMM_1, DIMM_2, DIMM_3, DIMM_4) | 15 | PCI 커넥터 (SLOT2)             |
| 5  | RTC 재설정 점퍼 (RTCRST)                         | 16 | PCI 커넥터 (SLOT3)             |
| 6  | 암호 점퍼 (PSWD)                                | 17 | 직렬 커넥터 (SER2)               |
| 7  | SATA 드라이브 커넥터 (SATA0, SATA1, SATA4, SATA5)  | 18 | 플로피 드라이브 커넥터 (DSKT)         |
| 8  | 전면 패널 커넥터 (FNT_PANEL)                       | 19 | 미량 전원 (flea power)          |
| 9  | 전원 커넥터 (POWER)                              | 20 | 시스템 보드 스피커 (BEEP)           |
| 10 | 침입 스위치 커넥터 (INTRUDER)                       | 21 | 스피커 커넥터 (INT_SPKR)          |
| 11 | 내장 USB (INTERNAL_USB)                       |    |                             |

## 점퍼 설정



점퍼	설정	설명
PSWD		암호 기능이 활성화 상태입니다 (기본 설정).
		암호 기능이 비활성 상태입니다.
RTCST		실시간 클럭이 재설정되지 않았습니 다.
		실시간 클럭이 재설정되고 있습니다 (일시적으로 점퍼됨).

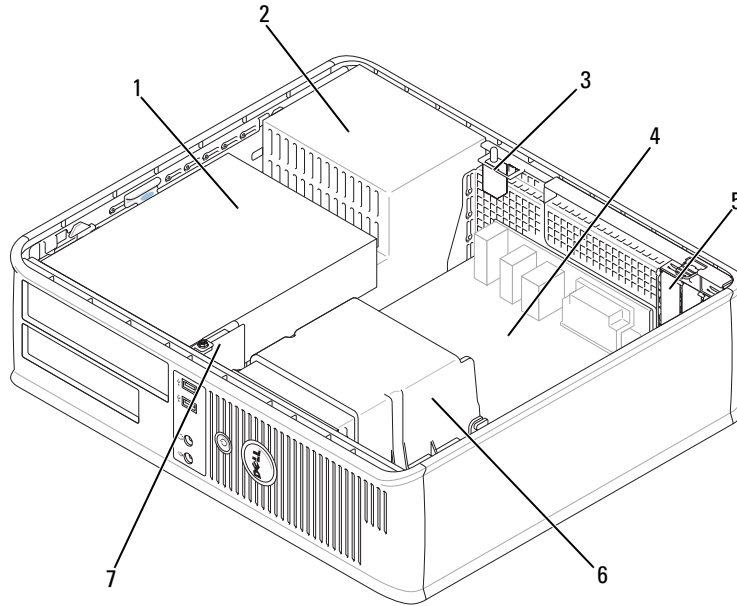


점퍼됨



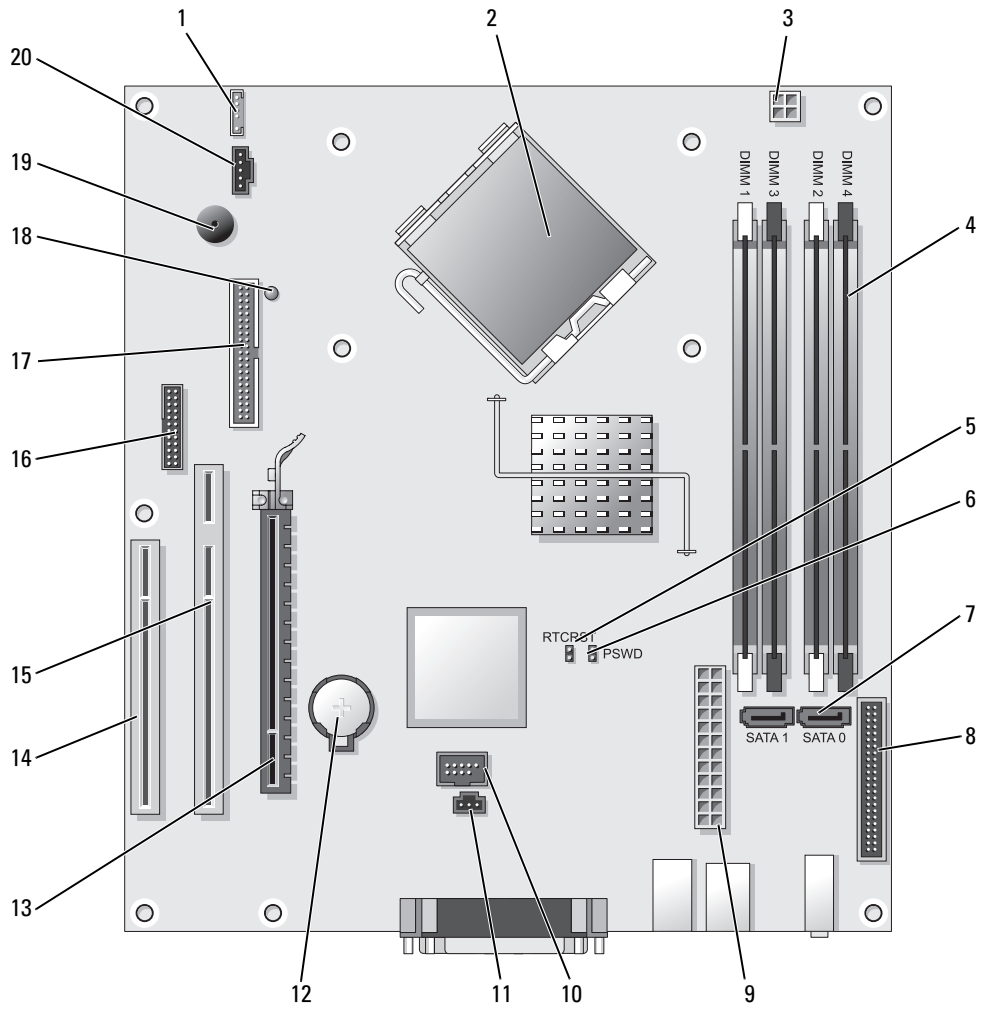
점퍼되지 않음

## 데스크탑 컴퓨터



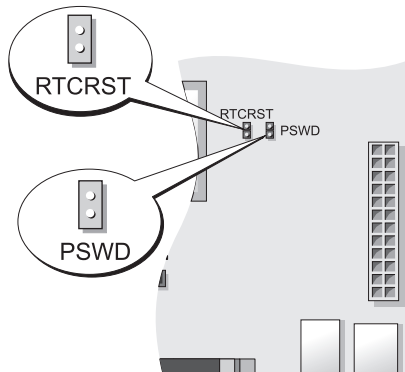
- |   |   |   |          |   |               |
|---|---|---|----------|---|---------------|
| 1 | 드라이브 베이 (미디어 카드리더 또는 플로피 드라이브, 광 드라이브 및 하드드라이브) | 2 | 전원 공급 장치 | 3 | 옵션의 새시 침입 스위치 |
| 4 | 시스템 보드  | 5 | 카드 슬롯    | 6 | 방열판 조립품       |
| 7 | 전면 I/O 패널                                       |   |          |   |               |

## 시스템 보드 구성부품



- |    |   |    |                             |
|----|---|----|-----------------------------|
| 1  | 내장 스피커 (INT_SPKR)                           | 11 | 침입 스위치 커넥터 (INTRUDER)       |
| 2  | 프로세서 커넥터 (CPU)                              | 12 | 전지 소켓 (BATT)                |
| 3  | 프로세서 전원 커넥터 (12VPOWER)                      | 13 | PCI Express x16 커넥터 (SLOT1) |
| 4  | 메모리 모듈 커넥터 (DIMM_1, DIMM_2, DIMM_3, DIMM_4) | 14 | PCI 커넥터 (SLOT3)             |
| 5  | RTC 재설정 점퍼 (RTCRST)                         | 15 | PCI 커넥터 (SLOT2)             |
| 6  | 암호 점퍼 (PSWD)                                | 16 | 직렬 커넥터 (SER2)               |
| 7  | SATA 커넥터 (SATA0, SATA1)                     | 17 | 플로피 드라이브 커넥터 (DSKT)         |
| 8  | 전면 패널 커넥터 (FNT_PANEL)                       | 18 | 미량 전원                       |
| 9  | 전원 커넥터 (POWER)                              | 19 | 시스템 보드 스피커 (BEEP)           |
| 10 | 내장 USB (INTERNAL_USB)                       | 20 | 팬 커넥터 (FAN)                 |

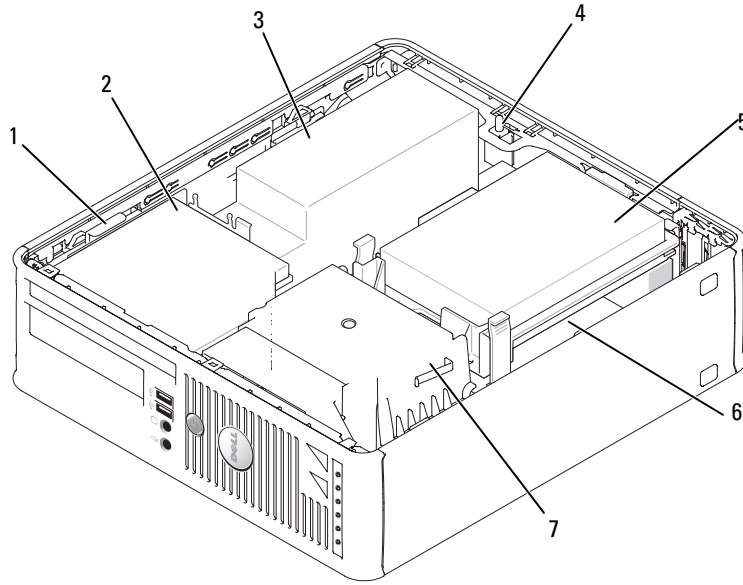
### 점퍼 설정



점퍼	설정	설명
PSWD		암호 기능이 활성화 상태입니다 (기본 설정).
		암호 기능이 비활성 상태입니다.
RTCRST		실시간 클럭이 재설정되지 않았습니다.
		실시간 클럭이 재설정되고 있습니다 (일시적으로 점퍼됨).

점퍼됨     점퍼되지 않음

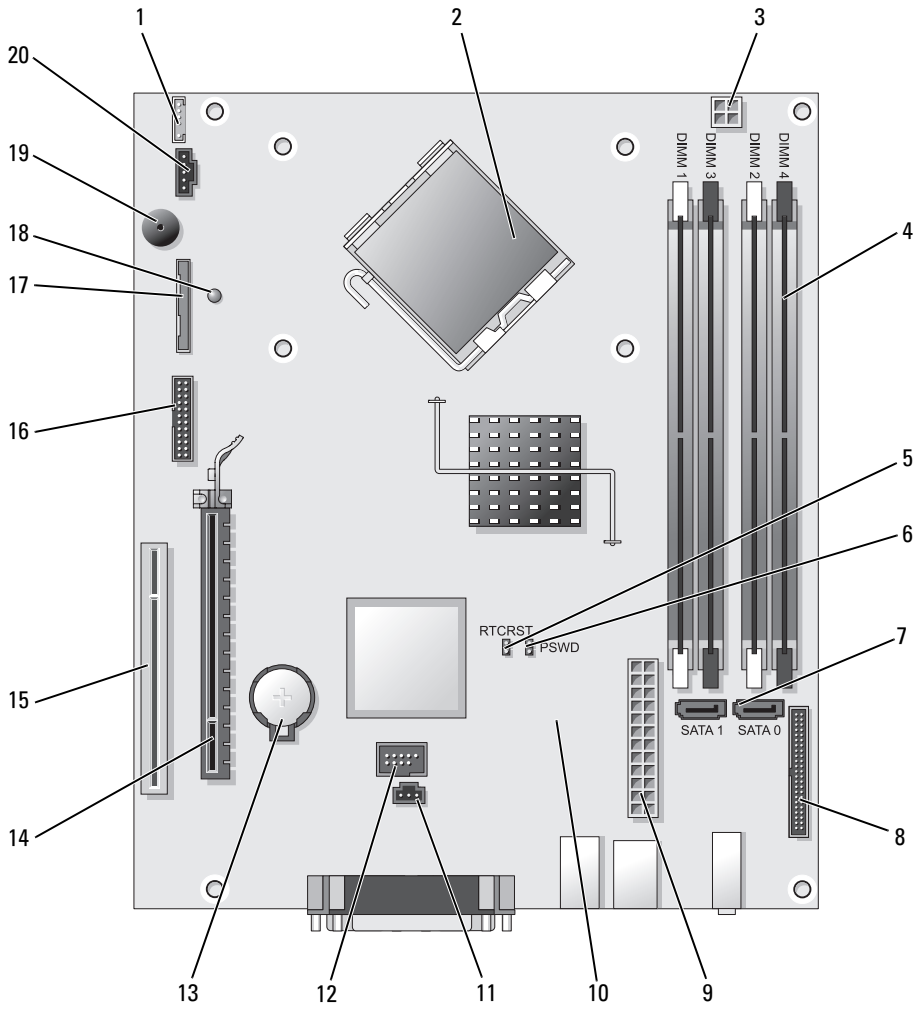
## 소형 폼팩터 (SFF) 컴퓨터



- |   |               |   |         |   |              |
|---|---------------|---|---------|---|--------------|
| 1 | 드라이브 분리 래치    | 2 | 광 드라이브  | 3 | 전원 공급 장치 및 팬 |
| 4 | 옵션의 새시 침입 스위치 | 5 | 하드 드라이브 | 6 | 시스템 보드       |
| 7 | 방열판 및 송풍기 조립품 |   |         |   |              |

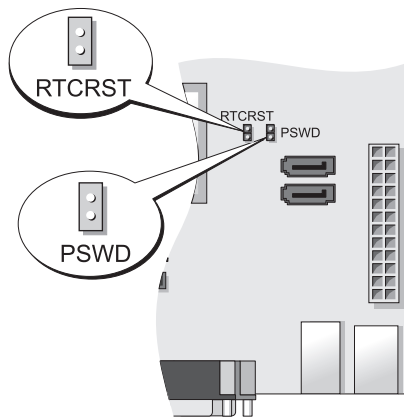






# 시스템 보드 구성부품





- |    |   |    |                             |
|----|---|----|-----------------------------|
| 1  | 내장형 스피커 커넥터 (INT_SPKR)                      | 11 | 침입 스위치 커넥터 (INTRUDER)       |
| 2  | 프로세서 커넥터 (CPU)                              | 12 | 내장 USB 커넥터 (USB)            |
| 3  | 프로세서 전원 커넥터 (12VPOWER)                      | 13 | 전지 소켓 (BATT)                |
| 4  | 메모리 모듈 커넥터 (DIMM_1, DIMM_2, DIMM_3, DIMM_4) | 14 | PCI Express x16 커넥터 (SLOT1) |
| 5  | RTC 재설정 점퍼 (RTCRST)                         | 15 | PCI 커넥터 (SLOT2)             |
| 6  | 암호 점퍼 (PSWD)                                | 16 | 직렬 커넥터 (SER2)               |
| 7  | SATA 커넥터 (SATA0, SATA1)                     | 17 | 플로피 드라이브 커넥터 (DSKT)         |
| 8  | 전면 패널 커넥터 (FNT_PANEL)                       | 18 | 미량 전원                       |
| 9  | 전원 커넥터 (POWER)                              | 19 | 시스템 보드 스피커 (BEEP)           |
| 10 | 팬 커넥터 (FAN2)                                | 20 | 팬 커넥터 (FAN)                 |

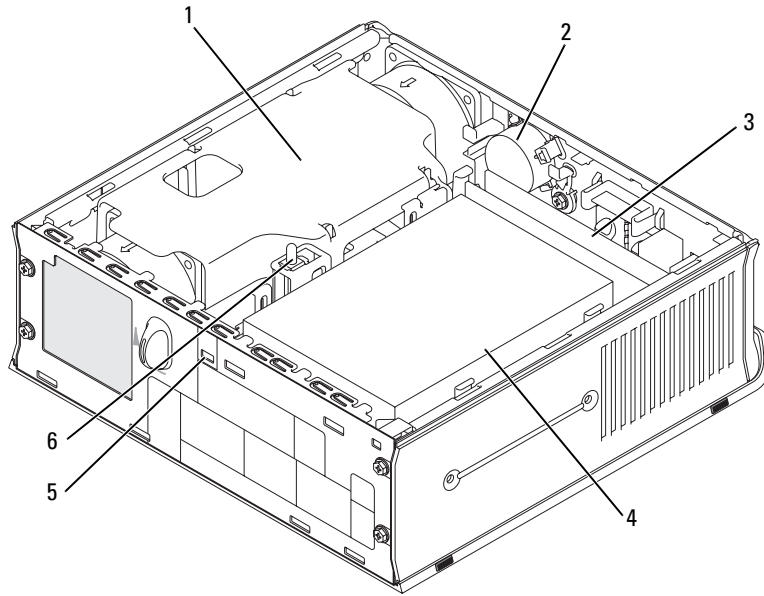
## 점퍼 설정



점퍼	설정	설명
PSWD		암호 기능이 활성화 상태입니다 (기본 설정).
		암호 기능이 비활성 상태입니다.
RTC RST		실시간 클럭이 재설정되지 않았습니다.
		실시간 클럭이 재설정되고 있습니다 (일시적으로 점퍼됨).

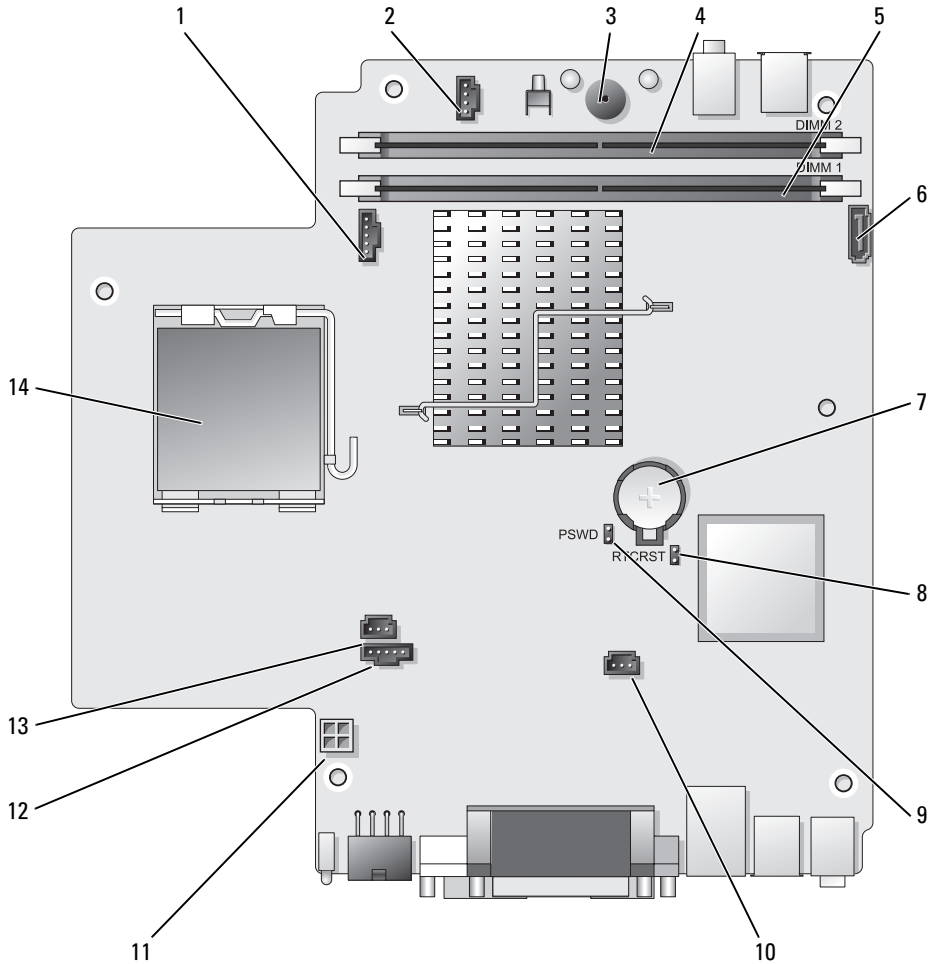
 점퍼됨   
 점퍼되지 않음

### 초소형 폼팩터 컴퓨터



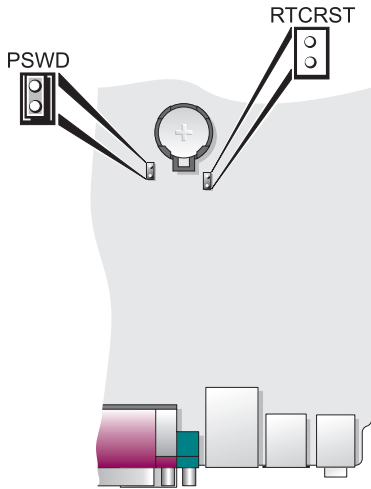
- |   |                |   |           |   |            |
|---|----------------|---|-----------|---|------------|
| 1 | 팬 덮개 / 방열판 조립품 | 2 | 스피커 (옵션)  | 3 | 메모리 모듈 (2) |
| 4 | 하드 드라이브        | 5 | 보안 케이블 슬롯 | 6 | 새시 침입 스위치  |

## 시스템 보드 구성부품



- |   |                          |    |                           |
|---|--------------------------|----|---------------------------|
| 1 | 팬 커넥터 (FAN_FRONT)        | 8  | 클리어 CMOS 점퍼 (RTCST)       |
| 2 | 내장형 스피커 커넥터 (INT_SPKR)   | 9  | 암호 점퍼 (PSWD)              |
| 3 | 시스템 보드 스피커 (BEEP)        | 10 | 하드 드라이브 팬 커넥터 (FAN_HDD)   |
| 4 | 채널 B 메모리 커넥터 (DIMM_2)    | 11 | 하드 드라이브 전원 커넥터 (SATA_PWR) |
| 5 | 채널 A 메모리 커넥터 (DIMM_1)    | 12 | 팬 커넥터 (FAN_REAR)          |
| 6 | SATA 데이터 케이블 커넥터 (SATA0) | 13 | 침입 스위치 커넥터 (INTRUDER)     |
| 7 | 전지 (BATT)                | 14 | 프로세서 (CPU)                |

## 점퍼 설정



점퍼	설정	설명
PSWD		암호 기능이 활성화 상태입니다 (기본 설정).
		암호 기능이 비활성 상태입니다.
RTCRST		실시간 클럭이 재설정되지 않았습니다.
		실시간 클럭이 재설정되고 있습니다 (일시적으로 점퍼됨).



점퍼됨



점퍼되지 않음

## 컴퓨터 설치

- 주의 :** 이 항목의 절차를 수행하기 전에 **제품 정보 안내**에 있는 안전 지침을 따르십시오.
- 주의사항 :** 컴퓨터에 모뎀 카드와 같은 확장 카드가 설치되어 있는 경우 커넥터를 후면 패널의 커넥터가 아니라 알맞은 케이블로 해당 카드에 연결하십시오.
- 주의사항 :** 컴퓨터가 알맞은 작동 온도를 유지할 수 있도록 새시 주변의 공기 순환을 방해하는 벽이나 저장 칸막이에 너무 가까이 두지 마십시오. 자세한 내용은 제품 정보 안내를 참조하십시오.
- 주 :** 컴퓨터와 함께 제공되지 않은 장치나 소프트웨어를 설치하기 전에 해당 장치나 소프트웨어와 함께 제공된 설명서를 읽어 보거나 판매업체에 문의하여 해당 장치나 소프트웨어가 자신의 컴퓨터 및 운영 체제와 호환되는지 확인하십시오.

컴퓨터를 올바르게 설치하려면 단계를 모두 수행해야 합니다. 해당 그림을 참조하여 지침을 따르십시오.

➡ **주의사항** : PS/2 마우스와 USB 마우스를 동시에 작동시키지 마십시오.

1 키보드와 마우스를 연결하십시오.


➡ **주의사항** : 모뎀 케이블을 네트워크 어댑터 커넥터에 연결하지 마십시오. 전화기의 전압 때문에 네트워크 어댑터가 손상될 수 있습니다.

2 모뎀 또는 네트워크 케이블을 연결하십시오.

네트워크 케이블을 네트워크 커넥터에 끼우십시오. 전화선을 네트워크 커넥터에 끼우면 안됩니다. 옵션의 모뎀이 있으면 전화선을 모뎀에 연결하십시오.

3 모니터를 연결하십시오.

커넥터 핀이 휘어지지 않도록 모니터 케이블을 조심스럽게 넣으십시오. 케이블 커넥터의 나비 나사를 조이십시오.

 **주** : 일부 모니터의 비디오 커넥터는 화면의 뒤쪽 밑에 있습니다. 커넥터 위치는 모니터와 함께 제공된 설명서를 참조하십시오.

4 스피커를 연결하십시오.

5 컴퓨터, 모니터 및 기타 장치에 전원 케이블을 연결하고 전원 케이블의 다른 끝을 전원 콘센트에 연결하십시오.

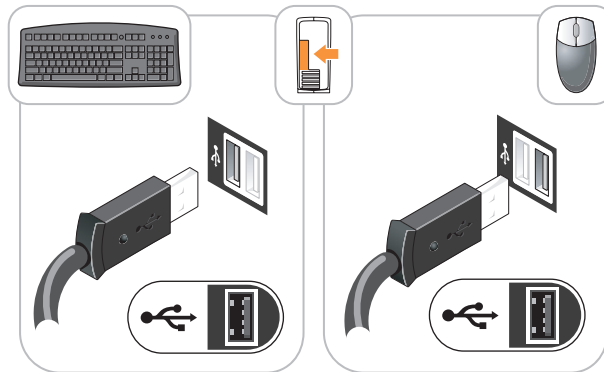
➡ **주의사항** : 컴퓨터가 손상되지 않도록 하려면 전압 선택 스위치를 수동으로 조작하여 해당 지역에서 사용하는 AC 전원에 가장 가까운 전압으로 설정하십시오.

➡ **주의사항** : 일본에서 사용하는 AC 전원이 100V 인 경우에도 전압 선택 스위치는 115V 로 설정해야 합니다.

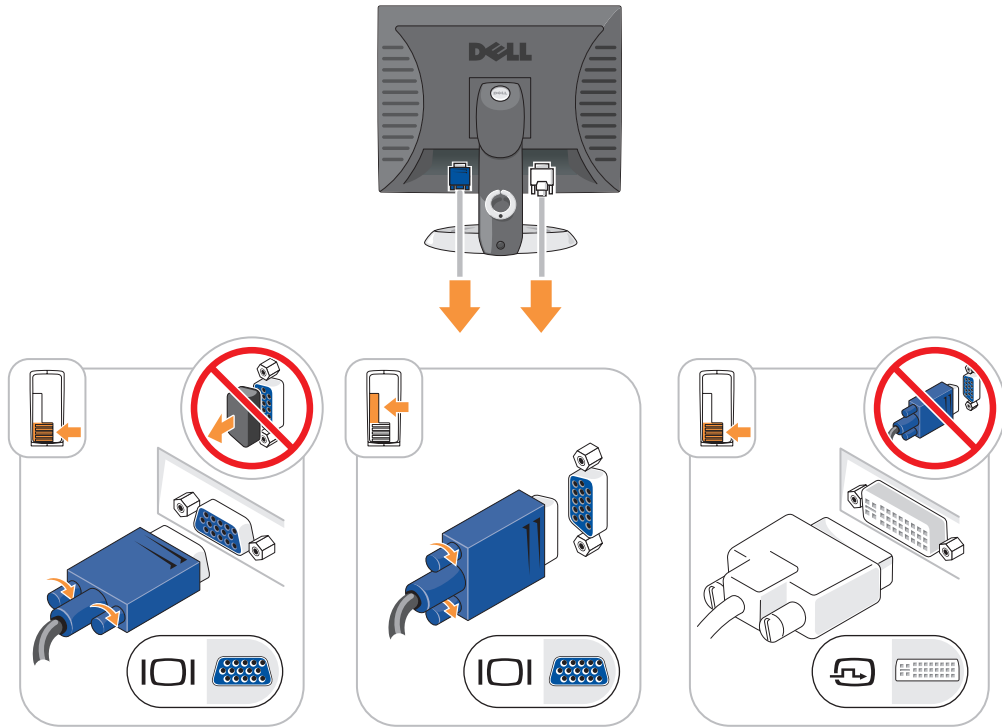
6 전압 선택 스위치가 올바르게 설정되어 있는지 확인하십시오.

컴퓨터에는 수동 전압 선택 스위치가 있습니다. 컴퓨터의 전압 선택 스위치가 후면 패널에 있는 경우 올바른 운영 전압으로 작동시키려면 이를 수동으로 설정해야 합니다.

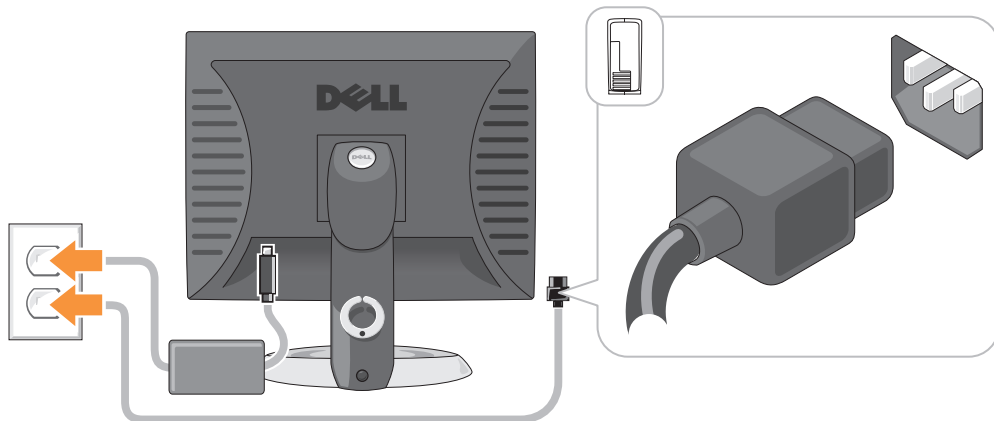
## 키보드 및 마우스 설치



## 모니터 설치



## 전원 연결



## 문제 해결

Dell 은 컴퓨터가 제대로 작동하지 않을 때 문제 해결에 도움이 되는 여러 도구를 제공합니다. 최신 문제 해결 정보는 Dell 지원 웹사이트 ([support.dell.com](http://support.dell.com)) 를 참조하십시오.

컴퓨터에 문제가 발생하여 Dell 의 도움이 필요하면 오류, 경고음 코드 또는 진단 표시등 유형에 관한 자세한 내용을 기록하고, 특급 서비스 코드와 서비스 태그를 아래 부분에 적은 다음 해당 지역의 Dell 사에 문의하십시오. Dell 과의 연락 정보를 위해서 온라인 *사용 설명서*를 참조하십시오.

특급 서비스 코드 및 서비스 태그의 예는 *사용 설명서*의 "정보 찾기" 를 참조하십시오.

특급 서비스 코드: \_\_\_\_\_


서비스 태그: \_\_\_\_\_

### Dell 진단 프로그램

 **주의 :** 이 항목의 절차를 수행하기 전에 *제품 정보 안내*에 있는 안전 지침을 따르십시오.

#### Dell 진단 프로그램 사용 시기

컴퓨터에 문제가 생긴 경우, Dell 에 기술 지원을 문의하기 전에 온라인 *사용 설명서*의 "문제 해결" 에서 점검사항을 수행하고 Dell 진단 프로그램을 실행하십시오. Dell 과의 연락 정보를 위해서 온라인 *사용 설명서*를 참조하십시오.


 **주의사항 :** Dell 진단 프로그램은 Dell™ 컴퓨터에서만 작동합니다.

시스템 설치 프로그램 ( 온라인 *사용 설명서*의 "시스템 설치" 를 참조하십시오 ) 을 실행하여 컴퓨터의 구성 정보를 재검토한 다음 검사할 장치가 시스템 설치 프로그램에 표시되고 활성화되어 있는지 확인하십시오.

Dell 진단 프로그램을 하드 드라이브 또는 옵션의 *Drivers and Utilities CD (ResourceCD)* 에서 시작하십시오.

#### 하드 드라이브에서 Dell 진단 프로그램 시작

- 1 컴퓨터를 켜거나 재시작하십시오.
- 2 DELL 로고가 나타나면 즉시 <F12> 를 누르십시오.

 **주 :** 진단 유틸리티 파티션을 찾을 수 없다는 메시지가 나타나면 옵션의 *Drivers and Utilities CD* 에서 Dell 진단 프로그램을 실행하십시오 (217 페이지의 "Drivers and Utilities CD 에서 Dell 진단 프로그램 시작" 참조).

운영 체제 로고가 나타나는 시간이 오래 걸리면 Microsoft®Windows® 바탕 화면이 표시될 때까지 기다린 다음 컴퓨터를 종료한 후 다시 시작해 보십시오.

부팅 장치 목록이 나타나면 **Boot to Utility Partition**( 유틸리티 파티션 부팅 ) 을 하이라이트하고 <Enter> 를 누르십시오.

- 3 Dell 진단 프로그램 Main Menu( 기본 메뉴 ) 가 나타나면 실행할 검사를 선택하십시오.



## Drivers and Utilities CD 에서 Dell 진단 프로그램 시작

1 Drivers and Utilities CD 를 삽입합니다.

2 컴퓨터를 종료하고 재시작합니다.

DELL 로고가 나타나면 즉시 <F12> 를 누르십시오.

운영 체제 로고가 나타나는 시간이 오래걸리면 Microsoft Windows 바탕 화면이 표시될 때까지 기다린 다음 컴퓨터를 종료한 후 다시 시작해 보십시오.



**주 :** 다음 절차는 부팅 순서가 한 번만 변경됩니다. 이후에 컴퓨터를 부팅하면 시스템 설치 프로그램에 지정된 장치 순서대로 부팅됩니다.

3 부팅 장치 목록이 표시되면 CD/DVD 드라이브 나열하기를 선택하고 <Enter> 를 누릅니다.

4 CD 부팅 메뉴에서 CD/DVD 드라이브 옵션 나열하기를 선택합니다.

5 보이는 메뉴에서 CD/DVD 드라이브에서 부팅 옵션을 선택합니다.

6 1 을 입력하여 Drivers and Utilities CD 를 실행합니다.

7 2 를 입력하여 Dell 진단 프로그램을 시작합니다.

8 번호가 지정된 목록에서 **Run the 32 Bit Dell Diagnostics**(32 비트 Dell 진단 프로그램 실행) 을 선택하십시오. 목록에 여러 버전이 있는 경우 사용자의 컴퓨터에 알맞은 버전을 선택합니다.

9 Dell 진단 프로그램 **Main Menu**( 기본 메뉴 ) 가 나타나면 실행할 검사를 선택하십시오.

## Dell 진단 프로그램 기본 메뉴

1 Dell 진단 프로그램이 시작되고 **Main Menu**(기본 메뉴) 화면이 나타나면 원하는 옵션 버튼을 클릭하십시오.

옵션	기능
Express Test ( 고속 테스트 )	장치를 빠르게 검사합니다. 이 검사는 일반적으로 10 분에서 20 분 소요되며 사용자가 개입하지 않아도 됩니다. 문제를 신속하게 찾으려면 <b>Express Test</b> 를 실행하십시오.
Extended Test ( 확장 테스트 )	장치를 전체적으로 검사합니다. 이 검사는 일반적으로 1 시간 이상 소요되며 사용자는 정기적으로 질문에 응답해야 합니다.
Custom Test ( 사용자 정의 테스트 )	특정 장치를 검사합니다. 실행할 검사를 사용자가 지정할 수 있습니다.
Symptom Tree ( 증상 트리 )	가장 일반적으로 발생하는 증상을 나열하며 문제의 증상에 따라 검사를 선택할 수 있습니다.

2 검사 도중 문제가 발견되면 오류 코드와 문제 설명이 함께 표시된 메시지가 나타납니다. 오류 코드와 문제 설명을 기록해 두고 화면의 지시사항을 따릅니다.

오류 상태를 해결할 수 없는 경우, Dell 에 문의하십시오. Dell 과의 연락 정보를 위해서 온라인 **사용 설명서**를 참조하십시오.



**주 :** 컴퓨터의 서비스 태그는 각 검사 화면 상단에 표시됩니다. Dell 에 문의할 경우 기술 지원부에서 서비스 태그를 묻습니다.

3 Custom Test 또는 Symptom Tree 옵션에서 검사를 실행할 경우 다음 표에서 설명하는 적용 가능한 탭을 클릭하여 추가 정보를 얻으십시오.

탭	기능
Results( 결과 )	검사 결과 및 발견된 오류 상태를 표시합니다.
Errors( 오류 )	발견된 오류 상태, 오류 코드 및 문제 설명을 표시합니다.
Help( 도움말 )	검사를 설명하고 검사 실행에 필요한 요구사항을 표시할 수 있습니다.
Configuration( 구성 )	선택한 장치에 대한 하드웨어 구성을 나타냅니다. Dell 진단 프로그램은 시스템 설치 프로그램, 메모리 및 각종 내부 검사를 통해 구성 정보를 수집하고 이를 화면의 왼쪽 창에 있는 장치 목록에 표시합니다. 장치 목록에는 컴퓨터에 설치된 일부 구성요소 이름이나 컴퓨터에 장착된 일부 장치가 표시되지 않을 수 있습니다.
Parameters( 매개변수 )	검사 설정을 변경하여 검사를 지정할 수 있습니다.

- 4 테스트가 완료되고 Dell 진단 프로그램을 *Drivers and Utilities* CD(옵션)에서 실행할 경우 CD를 꺼냅니다.
- 5 테스트 화면을 종료하여 **Main Menu**(기본 메뉴) 화면으로 돌아갑니다. Dell 진단 프로그램을 종료하고 컴퓨터를 재시작하려면 **Main Menu** 화면을 닫으십시오.

## 시스템 표시등

전원 표시등은 컴퓨터 문제를 표시합니다.

전원 표시등	문제 설명	권장 조치사항
녹색이 켜짐	전원이 켜져 있고 컴퓨터가 정상적으로 작동합니다.	해결 조치를 취할 필요가 없습니다.
녹색이 깜빡거림	컴퓨터가 절전 상태입니다.	전원 버튼을 누르거나 마우스를 움직이거나 키보드 키를 눌러 컴퓨터 사용을 재개하십시오.
녹색이 깜빡거리다 가 꺼짐	구성 오류가 있습니다.	진단 표시등을 점검하여 특별한 문제가 있는지 확인하십시오 (219 페이지의 "진단 표시등" 참조).
황색이 켜짐	시스템 보드의 장치에 결함이 있거나 잘못 설치되었을 수 있고, 전원 공급 장치의 전압 선택 스위치의 설정이 올바르지 않을 수도 있습니다.	진단 표시등을 점검하여 특별한 문제가 있는지 확인하십시오 (219 페이지의 "진단 표시등" 참조). 온라인 <i>사용 설명서</i> 에서 "전원 문제"를 참조하십시오.  컴퓨터가 부팅되지 않으면 Dell에 문의하여 기술 지원을 요청하십시오. Dell과의 연락 정보를 위해 온라인 <i>사용 설명서</i> 를 참조하십시오.


전원 표시등	문제 설명	권장 조치사항
항색이 깜박거림	전원 공급 장치 또는 시스템 보드 오류가 발생했습니다.	진단 표시등을 점검하여 특별한 문제가 있는지 확인하십시오 (219 페이지의 "진단 표시등" 참조). 온라인 <i>사용 설명서</i> 에서 "전원 문제"를 참조하십시오. 컴퓨터가 부팅되지 않으면 Dell 에 문의하여 기술 지원을 요청하십시오. Dell 과의 연락 정보를 위해서 온라인 <i>사용 설명서</i> 를 참조하십시오.
시동 자체 시험 [POST] 도중 녹색이 켜지고 경고음 발생	BIOS 실행 도중 문제가 발견되었습니다.	경고음 코드 진단에 대한 내용은 222 페이지의 "경고음 코드 참조"를 참조하십시오. 또한 진단 표시등을 통해 특정 문제가 발견되었는지 확인하십시오.
시동 자체 시험 [POST] 동안 녹색 표시등이 계속 켜져 있고 경고음 코드가 울리지 않으며 비디오가 나타나지 않음	모니터 또는 그래픽 카드에 결함이 있거나 올바르게 설치되지 않았습니다.	진단 표시등을 점검하여 특별한 문제가 있는지 확인하십시오.
시동 자체 시험 [POST] 도중 녹색 전원 표시등이 켜지고 경고음이 발생하지 않지만 컴퓨터가 다운됨	내장형 시스템 보드 장치에 결함이 있는 것 같습니다.	진단 표시등을 점검하여 특별한 문제가 있는지 확인하십시오. 문제가 식별되지 않으면 Dell 에 문의하여 기술 지원을 요청하십시오. Dell 과의 연락 정보를 위해서 온라인 <i>사용 설명서</i> 를 참조하십시오.

## 진단 표시등

 **주의 :** 이 항목의 절차를 수행하기 전에 *제품 정보 안내*에 있는 안전 지침을 따르십시오.

문제 해결에 도움이 되도록 컴퓨터의 전후면 패널 상에는 "1," "2," "3," "4" 라는 레이블이 붙은 4 개의 표시등이 있습니다. 이 표시등은 꺼져 있거나 녹색으로 켜져 있을 수 있습니다. 컴퓨터가 정상적으로 시작되면 부팅 과정이 완료될 때 표시등의 패턴이나 코드가 변경됩니다. 시스템 부팅의 시동 자체 시험 [POST] 이 성공적으로 완료되면 네 개의 표시등이 모두 짙은 녹색으로 잠시 점등되었다가 꺼집니다.

컴퓨터가 시동 자체 시험 [POST] 과정 동안 오작동한 경우 LED 에 표시되는 패턴에 따라 컴퓨터가 정지한 프로세스 위치를 식별할 수 있습니다. 성공적인 시동 자체 시험 [POST] 후에 컴퓨터가 제대로 작동하지 않으면 진단 표시등은 문제의 원인을 표시하지 않습니다.

 **주 :** 진단 표시등의 방향은 시스템 유형에 따라 다양할 수 있습니다. 진단 표시등의 방향은 수직이나 수평이 가능합니다.

표시등 패턴	문제 설명	권장 조치사항
①②③④	컴퓨터가 정상적으로 꺼진 상태이거나 BIOS 오류 발생 가능 상태입니다. 컴퓨터가 운영 체제로 정상적으로 부팅 되면 진단 표시등이 꺼집니다.	컴퓨터를 전원 콘센트에 연결하고 전원 버튼을 누르십시오.
①②③④	BIOS 오류가 발생하였거나 컴퓨터가 복구 모드입니다.	BIOS 복구 유틸리티를 실행한 후 복구가 완료될 때까지 기다린 다음 컴퓨터를 재시작하여 다시 검사하십시오.
①②③④	프로세서 오류가 발생했습니다.	프로세서를 다시 설치하고 컴퓨터를 다시 시작하십시오. 프로세서 재설치 정보는 온라인 <i>사용 설명서</i> 를 참조하십시오.
①②③④	메모리 모듈은 감지되었지만 메모리에 오류가 발생하였습니다.	<ul style="list-style-type: none"> <li>• 한 개의 메모리 모듈이 설치되어 있는 경우 다시 설치한 다음 컴퓨터를 재시작하십시오. 메모리 모듈 재설치 정보는 온라인 <i>사용 설명서</i>를 참조하십시오.</li> <li>• 두 개 이상의 메모리 모듈이 설치되어 있는 경우, 모듈을 모두 분리하고 한 개의 모듈을 다시 설치한 다음 컴퓨터를 재시작하십시오. 컴퓨터가 정상적으로 시작되면 다른 모듈도 다시 설치하십시오. 오류가 있는 모듈을 찾을 때까지 계속 해보거나 오류가 없는 모듈로 재설치하십시오.</li> <li>• 가능하면 올바르게 작동하는 동일한 종류의 메모리를 컴퓨터에 설치하십시오.</li> <li>• 문제가 지속되면 Dell에 문의하십시오. Dell 과의 연락 정보를 위해서 온라인 <i>사용 설명서</i>를 참조하십시오.</li> </ul>
①②③④	그래픽 카드 오류가 발생하였습니다.	<ul style="list-style-type: none"> <li>• 컴퓨터에 그래픽 카드가 설치되어 있으면 카드를 분리했다가 다시 설치한 다음 컴퓨터를 다시 시작해보십시오.</li> <li>• 문제가 지속되면 작동이 확인된 그래픽 카드를 설치한 다음 컴퓨터를 재시작하십시오.</li> <li>• 문제가 지속되거나 컴퓨터에 내장된 그래픽이 있으면 Dell 에 문의하십시오. Dell 과의 연락 정보를 위해서 온라인 <i>사용 설명서</i>를 참조하십시오.</li> </ul>

표시등 패턴	문제 설명	권장 조치사항
① ② ③ ④	플로피 또는 하드 드라이브 오류가 발생하였습니다.	전원 케이블과 데이터 케이블을 다시 연결하고 컴퓨터를 재시작하십시오.
① ② ③ ④	USB 오류가 발생하였습니다.	모든 USB 장치를 다시 설치하고 케이블의 연결 상태를 확인한 다음 컴퓨터를 재시작하십시오.
① ② ③ ④	메모리 모듈이 감지되지 않습니다.	<ul style="list-style-type: none"> <li>• 한 개의 메모리 모듈이 설치되어 있는 경우 다시 설치한 다음 컴퓨터를 재시작하십시오. 메모리 모듈 재설치 정보는 온라인 <i>사용 설명서</i>를 참조하십시오.</li> <li>• 두 개 이상의 메모리 모듈이 설치되어 있는 경우, 모듈을 모두 분리하고 한 개의 모듈을 다시 설치한 다음 컴퓨터를 재시작하십시오. 컴퓨터가 정상적으로 시작되면 다른 모듈도 다시 설치하십시오. 오류가 있는 모듈을 찾을 때까지 계속 해보거나 오류가 없는 모듈로 재설치하십시오.</li> <li>• 가능하면 올바르게 작동하는 동일한 종류의 메모리를 컴퓨터에 설치하십시오.</li> <li>• 문제가 지속되면 Dell에 문의하십시오. Dell 과의 연락 정보를 위해서 온라인 <i>사용 설명서</i>를 참조하십시오.</li> </ul>
① ② ③ ④	메모리 모듈이 감지되었지만 메모리 구성이나 호환성 오류가 있습니다.	<ul style="list-style-type: none"> <li>• 교체해야 할 특별한 메모리 모듈/메모리 커넥터가 있는지 확인하십시오.</li> <li>• 설치할 메모리 모듈이 컴퓨터와 호환되는지 확인하십시오.</li> <li>• 문제가 지속되면 Dell에 문의하십시오. Dell 과의 연락 정보를 위해서 온라인 <i>사용 설명서</i>를 참조하십시오.</li> </ul>
① ② ③ ④	오류가 발생했습니다.  이 패턴은 시스템 설치에 들어가면 표시되고 문제를 표시하지 않을 수 있습니다.	<ul style="list-style-type: none"> <li>• 케이블이 시스템 보드와 하드 드라이브, CD 드라이브 및 DVD 드라이브를 제대로 연결하고 있는지 확인하십시오.</li> <li>• 모니터 화면에 표시된 컴퓨터 메시지를 확인하십시오.</li> <li>• 문제가 지속되면 Dell에 문의하십시오. Dell 과의 연락 정보를 위해서 온라인 <i>사용 설명서</i>를 참조하십시오.</li> </ul>

## 경고음 코드 참조

모니터에 오류나 문제를 표시할 수 없는 경우 컴퓨터를 시작할 때 일련의 경고음이 발생합니다. 경고음 코드로 문제를 식별할 수 있습니다. 예를 들어, 한 번의 경고음이 울리고 세 번 경고음이 울린 다음 다시 한 번 더 경고음이 울리면 (코드 1 3-1), 컴퓨터에 메모리 문제가 발생했다는 것을 뜻합니다.

컴퓨터를 시작할 때 경고음이 발생하는 경우 :

- 1 경고음 코드를 적습니다.
- 2 216 페이지의 "Dell 진단 프로그램" 을 참조하여 더 많은 심각한 원인을 확인합니다.
- 3 Dell 에 문의하여 기술 지원을 요청하십시오. Dell 과의 연락 정보를 위해서 온라인 *사용 설명서*를 참조하십시오.

코드	원인	코드	원인
1-1-2	마이크로프로세서 레지스터 오류	3-1-4	슬레이브 ( 중 ) 인터럽트 마스크 레지스터 오류
1-1-3	NVRAM 읽기 / 쓰기 오류	3-2-2	인터럽트 벡터 로드 오류
1-1-4	ROM BIOS 검사 합계 오류	3-2-4	키보드 컨트롤러 검사 오류
1-2-1	프로그램가능 간격 타이머 오류	3-3-1	NVRAM 전원 손실
1-2-2	DMA 초기화 오류	3-3-2	잘못된 NVRAM 구성
1-2-3	DMA 페이지 레지스터 읽기 / 쓰기 오류	3-3-4	비디오 메모리 검사 오류
1-3	비디오 메모리 검사 오류	3-4-1	화면 초기화 오류
1-3-1 ~ 2-4-4	메모리를 제대로 인식할 수 없거나 사용할 수 없음	3-4-2	화면 재추적 오류
3-1-1	슬레이브 ( 중 ) DMA 레지스터 오류	3-4-3	비디오 ROM 검색 오류
3-1-2	마스터 ( 주 ) DMA 레지스터 오류	4-2-1	타이머 신호 없음
3-1-3	마스터 ( 주 ) 인터럽트 마스크 레지스터 오류	4-2-2	종료 실패
4-2-3	게이트 A20 실패	4-4-1	직렬 또는 병렬 포트 검사 오류
4-2-4	보호 모드에서의 예상치 못한 인터럽트 발생	4-4-2	새도우 메모리에 코드 압축 해제 실패
4-3-1	0FFFFh 보다 상위 주소에서의 메모리 오류	4-4-3	산술 연산 보조 프로세서 검사 오류
4-3-3	타이머 칩 카운터 2 오류	4-4-4	캐시 검사 오류
4-3-4	시각 기구 정지		

## 소프트웨어 및 하드웨어 비호환성 해결

장치가 운영 체제 설정 동안 감지되지 않거나 감지되지만 제대로 구성되지 않을 경우 하드웨어 문제 해결사를 사용하여 비호환성을 해결할 수 있습니다.

- 1 시작 버튼을 클릭한 다음 **도움말 및 지원**을 클릭하십시오.
- 2 검색 필드에 하드웨어 문제 해결사를 입력한 다음, 화살표를 클릭하여 검색을 시작하십시오.
- 3 검색 결과 목록에서 **하드웨어 문제 해결사**를 클릭하십시오.
- 4 **하드웨어 문제 해결사** 목록에서 **컴퓨터의 하드웨어 충돌을 해결해야 합니다**를 클릭하고, **다음**을 클릭하십시오.

## Microsoft Windows XP 시스템 복원 기능 사용

Microsoft Windows XP 운영 체제는 하드웨어, 소프트웨어 또는 기타 시스템 설정이 잘못된 경우 컴퓨터를 초기 운영 상태 (데이터 파일이 변경되지 않은 상태) 로 복귀할 수 있는 시스템 복원 기능을 제공합니다. 시스템 복원에 관한 자세한 내용은 Windows 도움말 및 지원 센터를 참조하십시오. Windows 도움말 및 지원 센터를 이용하려면 178 페이지의 "Windows 도움말 및 지원 센터" 를 참조하십시오.



**주의사항:** 데이터 파일을 정기적으로 백업해 두십시오. 시스템 복원 기능은 데이터 파일을 감시하거나 복구하지 않습니다.

### 복원 지점 작성

- 1 시작 단추를 클릭한 다음 **도움말 및 지원**을 클릭하십시오.
- 2 **시스템 복원**을 클릭하십시오.
- 3 화면의 지시사항을 따릅니다.

### 이전 작동 상태로 컴퓨터 복원



**주의사항:** 컴퓨터를 예전 운영 상태로 복원하기 전에 열려 있는 파일을 모두 저장한 후 닫고 실행 중인 프로그램을 모두 종료하십시오. 시스템 복원이 완료될 때까지 파일 또는 프로그램을 고치거나 열거나 삭제하지 마십시오.

- 1 시작 버튼을 클릭하고 **모든 프로그램 → 보조 프로그램 → 시스템 도구**를 차례로 지정한 다음 **시스템 복원**을 클릭하십시오.
- 2 **이전 시점으로 내 컴퓨터 복원**이 선택되어 있는지 확인하고 **다음**을 클릭하십시오.
- 3 컴퓨터를 복원할 달력 날짜를 클릭하십시오.

**복원 지점 선택** 화면에는 복원 지점을 확인하고 선택할 수 있는 달력이 제공됩니다. 사용 가능한 복원 지점이 있는 모든 달력 날짜는 굵은체로 표시됩니다.

- 4 복원 지점을 선택하고 **다음**을 클릭하십시오.

달력 날짜에 한 개의 복원 지점만 있는 경우에는 복원 지점이 자동으로 선택됩니다. 두 개 이상의 복원 지점을 이용할 수 있는 경우에는 원하는 복원 지점을 클릭하십시오.

- 5 **다음**을 클릭하십시오.

시스템 복원으로 데이터를 모두 수집하면 컴퓨터가 자동으로 재시작되고 **복원 완료** 화면이 나타납니다.

6 컴퓨터가 재시작되면 **확인**을 클릭하십시오.

복원 지점을 변경하려면 다른 복원 지점을 사용하여 단계를 반복 수행하거나 복원 실행을 취소할 수 있습니다.

### 마지막 시스템 복원 실행 취소



**주의사항**: 마지막 시스템 복원 실행을 취소하기 전에 열려있는 모든 파일을 닫고 실행 중인 프로그램을 모두 종료하십시오. 시스템 복원이 완료될 때까지 파일 또는 프로그램을 고치거나 열거나 삭제하지 마십시오.

- 1 시작 버튼을 클릭하고 **모든 프로그램 → 보조 프로그램 → 시스템 도구**를 차례로 지정한 다음 **시스템 복원**을 클릭하십시오.
- 2 **마지막 복원 실행 취소**를 클릭하고 **다음**을 클릭하십시오.
- 3 **다음**을 클릭하십시오.  
시스템 복원 화면이 나타나고 컴퓨터가 재시작됩니다.
- 4 컴퓨터가 재시작되면 **확인**을 클릭하십시오.

### 시스템 복원 활성화

Windows XP 재설치시 하드 디스크 여유 공간이 200MB 이하인 경우에는 시스템 복원 기능은 자동으로 비활성화됩니다. 시스템 복원 기능의 활성화 여부를 확인하려면:

- 1 시작 버튼을 클릭하고 **제어판**을 클릭하십시오.
- 2 **성능 및 유지 관리**를 클릭하십시오.
- 3 **시스템**을 클릭하십시오.
- 4 **시스템 복원** 탭을 클릭하십시오.
- 5 **시스템 복원 끄기**가 선택되어 있지 않도록 확인하십시오.

## Microsoft Windows XP 재설치

### 시작하기



**주**: 이 문서의 절차는 Windows XP Home Edition 의 Windows 기본 보기용이므로 Dell 컴퓨터를 Windows Classic 보기로 맞추거나 Windows XP Professional 을 사용하면 단계가 달라집니다.


새로 설치한 드라이버로 인해 발생한 문제를 해결하기 위해 Windows XP 운영 체제를 재설치하려는 경우 먼저 Windows XP 장치 드라이버 롤백 기능을 사용해보십시오.

- 1 시작 단추를 클릭하고 **제어판**을 클릭하십시오.
- 2 **종류 선택**에서 **성능 및 유지 관리**를 클릭하십시오.
- 3 **시스템**을 클릭하십시오.
- 4 **시스템 등록 정보** 창에서 **하드웨어** 탭을 클릭하십시오.





- 5 장치 관리자를 클릭하십시오 .
- 6 새 드라이버가 설치된 장치를 마우스 오른쪽으로 클릭하고 **등록 정보**를 클릭하십시오 .
- 7 **드라이버** 탭을 클릭하십시오 .
- 8 **롤백 드라이버**를 클릭하십시오 .

장치 드라이버 롤백 기능을 사용해도 문제가 해결되지 않으면 시스템 복원 기능을 사용하여 운영 체제를 새 장치 드라이버를 설치하기 이전의 작동 상태로 복원할 수 있습니다(223 페이지의 "Microsoft Windows XP 시스템 복원 기능 사용" 참조).

 **주 :** *Drivers and Utilities* CD에는 컴퓨터 조립시 설치된 드라이버가 포함되어 있습니다 . *Drivers and Utilities* CD를 사용하여 사용자 컴퓨터가 RAID 컨트롤러를 가지고 있는 경우 요구되는 드라이버를 포함하여 필요한 모든 드라이버를 로드하십시오 .

### Windows XP 재설치



-  **주의사항 :** Windows XP를 재설치할 경우 Windows XP 서비스 팩 1 이상을 사용해야 합니다 .
-  **주의사항 :** 설치를 시작하기 전에 주 하드 디스크 드라이브에 모든 데이터 파일을 백업하십시오 . 일반적으로 주 하드 드라이브는 컴퓨터가 처음 감지하는 드라이브로 구성되어 있습니다 .

Windows XP를 재설치하려면 다음 CD가 필요합니다 :

- Dell 운영 체제 CD
- Dell Drivers and Utilities CD

Windows XP를 재설치하려면 다음 단원의 모든 단계를 나열된 순서대로 수행하십시오 .

재설치 절차를 완료하는 데 1~2 시간이 소요됩니다 . 운영 체제를 재설치한 후 장치 드라이버 , 바이러스 방지 프로그램 및 기타 프로그램도 재설치해야 합니다 .

-  **주의사항 :** *운영 체제* CD에는 Windows XP를 재설치하는 데 필요한 옵션이 포함되어 있습니다 . 옵션은 설치한 파일을 덮어쓰기 때문에 하드 드라이브에 설치되어 있는 프로그램에 영향을 줄 수 있습니다 . 따라서 Dell 기술 지원부에서 옵션을 설치하라고 지시한 경우 외에는 Windows XP를 재설치하지 마십시오 .
-  **주의사항 :** Windows XP와의 충돌을 방지하려면 Windows XP를 재설치하기 전에 컴퓨터에 설치되어 있는 바이러스 방지 소프트웨어를 모두 비활성화해야 합니다 . 자세한 지침은 소프트웨어 설명서를 참조하십시오 .

### 운영 체제 CD에서 부팅

- 1 열려있는 모든 파일을 저장하고 닫은 다음 프로그램을 종료합니다 .
- 2 *운영 체제* CD를 넣으십시오 . Windows XP 설치 메시지가 나타나면 **종료**를 클릭합니다 .
- 3 컴퓨터를 재시작합니다 .
- 4 DELL 로고가 나타나면 즉시 <F12> 를 누르십시오 .  
운영 체제 로고가 나타날 경우 Windows 바탕 화면이 표시될 때까지 기다린 후 컴퓨터를 종료한 다음 다시 시도하십시오 .
- 5 화살표 키를 사용하여 **CD-ROM** 을 선택한 다음 <Enter> 를 누르십시오 .
- 6 CD에서 부팅하려면 아무 키나 누르십시오 라는 메시지가 나타나면 아무 키나 누르십시오 .

## Windows XP 설치

- 1 Windows XP 설치 화면이 나타나면 <Enter> 를 눌러 **Windows 설치**를 선택하십시오.
- 2 **Microsoft Windows 사용권 계약서** 화면의 내용을 읽은 다음 <F8> 을 눌러 사용권 계약서에 동의하십시오.
- 3 컴퓨터에 이미 Windows XP가 설치되어 있는 경우, 현재 Windows XP 데이터를 복구하려면 r을 입력하여 복구 옵션을 선택한 다음 드라이브에서 CD를 제거하십시오.
- 4 새 Windows XP를 설치하려면 <Esc> 를 눌러 해당 옵션을 선택하십시오.
- 5 <Enter> 를 눌러 지정된 파티션을 선택하고 (권장), 화면의 지시사항을 따르십시오.

Windows XP 설치 화면이 나타나고 운영 체제는 파일 복사 및 장치 설치 절차를 시작합니다. 컴퓨터는 자동으로 여러번 재시작합니다.



**주:** 설치를 완료하는 데 소요되는 시간은 하드 드라이브 크기와 컴퓨터 속도에 따라 다릅니다.



**주의사항:** 시스템 시작 시 다음 메시지가 표시되더라도 아무 키도 누르지 마십시오. Press any key to boot from the CD(CD로 부팅하려면 아무 키나 누르십시오).

- 6 **국가 및 언어 옵션**이 나타나면 해당 위치에 맞는 설정을 선택하고 **다음**을 클릭하십시오.
- 7 **소프트웨어 개별화** 화면에 이름과 회사 (옵션) 를 입력하고 **다음**을 클릭하십시오.
- 8 **컴퓨터 이름 및 관리자 암호** 창에서 컴퓨터 이름 (또는 지정된 이름 승인) 및 암호를 입력하고 **다음**을 클릭하십시오.
- 9 **모뎀 전화 걸기 정보** 화면이 나타나면, 요청된 내용을 입력하고 **다음**을 클릭하십시오.
- 10 **날짜 및 시간 설정** 창에서 날짜, 시간, 시간대를 입력하고 **다음**을 클릭하십시오.
- 11 **네트워크 설정** 화면이 표시되면 **일반**을 클릭하고 **다음**을 클릭하십시오.
- 12 Windows XP Professional을 재설치하는 도중에 네트워크 구성과 관련된 추가 정보가 요청될 경우 선택사항을 입력하십시오. 설정에 대해 확실하지 않을 경우 주어진 기본값을 승인하십시오.  
Windows XP는 운영 체제 구성요소를 설치하고 컴퓨터를 구성합니다. 컴퓨터가 자동으로 재시작됩니다.



**주의사항:** 시스템 시작 시 다음 메시지가 표시되더라도 아무 키도 누르지 마십시오. Press any key to boot from the CD.

- 13 **Microsoft 시작** 화면이 나타나면 **다음**을 클릭하십시오.
- 14 How will this computer connect to the Internet?(어떤 방법으로 인터넷에 연결하시겠습니까?) 메시지가 나타나면  **건너뛰기**를 클릭하십시오.
- 15 **지금 Microsoft에 등록하시겠습니까?** 화면이 나타나면 **아니오, 지금은 등록하지 않습니다**를 선택하고 **다음**을 클릭하십시오.
- 16 **사용자의 이름을 입력하십시오** 화면이 나타나면 최대 5명의 사용자를 입력할 수 있습니다.
- 17 **다음**을 클릭하십시오.
- 18 **마침**을 클릭하여 설치를 완료하고 CD를 제거하십시오.
- 19 **Drivers and Utilities** CD로 적절한 드라이버를 재설치하십시오.

20 바이러스 방지 소프트웨어를 재설치하십시오 .

21 프로그램을 재설치하십시오 .



**주 :** Microsoft Office 또는 Microsoft Works Suite 프로그램을 재설치하고 활성화하려면 Microsoft Office 의 후면 또는 Microsoft Works Suite CD 슬리브에 있는 Product Key( 제품키 ) 번호가 필요합니다 .

## Drivers and Utilities CD 사용

Windows 운영 체제를 실행하는 동안 *Drivers and Utilities* CD(*ResourceCD*) 를 사용하려면 :



**주 :** 장치 드라이버 및 사용 설명서에 액세스하려면 Windows 를 실행하여 *Drivers and Utilities* CD 를 사용해야 합니다 .

1 컴퓨터를 켜면 Windows 바탕 화면으로 부팅됩니다 .

2 CD 드라이브에 *Drivers and Utilities* CD 를 넣으십시오 .

이 컴퓨터에서 처음으로 *Drivers and Utilities* CD 를 사용하는 경우에는 *Drivers and Utilities* CD 가 설치 시작을 알리는 **ResourceCD Installation**(*ResourceCD* 설치 ) 창을 표시합니다 .

3 계속하려면 , **OK** 를 클릭하십시오 .

설치 프로그램에 나타나는 메시지에 응답하여 설치를 완료하십시오 .

4 **Welcome Dell System Owner**(Dell 시스템 사용자 환영 ) 화면에서 **Next**( **다음** ) 를 클릭하십시오 .

해당 **System Model**( 시스템 모델 ), **Operating System**( 운영 체제 ), **Device Type**( 장치 유형 ) 및 **Topic**( 주제 ) 을 선택하십시오 .

### 컴퓨터 드라이버

컴퓨터 장치 드라이버 목록을 표시하려면 :

1 **Topic** 드롭다운 메뉴에서 **My Drivers**( 내 드라이버 ) 를 클릭하십시오 .

*Drivers and Utilities* CD( 선택사양 ) 는 컴퓨터의 하드웨어 및 운영 체제를 검색한 다음 시스템 구성에 맞는 장치 드라이버 목록을 화면에 표시해줍니다 .

2 해당 드라이버를 클릭하고 컴퓨터 드라이버의 다운로드 지침을 따르십시오 .

컴퓨터에 맞는 사용 가능한 모든 장치 목록을 보려면 **Topic** 드롭다운 메뉴에서 **Drivers**( 드라이버 ) 를 클릭하십시오 .



# 색인

## C

CDs  
운영 체제, 178

## D

Dell 지원 사이트, 179  
Dell 진단 프로그램, 216  
Drivers and Utilities CD, 177

## I

IRQ 충돌, 223

## W

Windows XP  
도움말 및 지원 센터, 178  
설치, 226  
시스템 복원, 223  
재설치, 178, 224  
하드웨어 문제 해결사, 223

## ㄱ

경고음 코드, 222  
규제 정보, 178

## ㄴ

덮개  
분리, 195  
도움말 및 지원 센터, 178  
도움말 파일  
Windows 도움말 및 지원 센터,  
178  
드라이버  
목록, 227

## ㄷ

레이블  
Microsoft Windows, 179  
서비스 태그, 179

## ㄹ

마더보드 . 시스템 보드  
마더보드 . 시스템 보드 참조  
마더보드 . 시스템 보드  
문제 해결  
Dell 진단 프로그램, 216  
경고음 코드, 222  
도움말 및 지원 센터, 178  
시스템 표시등, 218  
진단 표시등, 219  
충돌, 223  
컴퓨터를 이전 운영 상태로  
복원, 223

## 문제 해결

하드웨어 문제 해결사, 223

## ㅂ

부품 설치  
시작하기 전에, 195

## ㅅ

사용 설명서, 177  
서비스 태그, 179  
설명서  
규정, 178  
사용 설명서, 177  
안전, 178  
온라인, 179  
인체공학, 178  
제품 정보 안내, 178  
최종 사용자 사용권 계약서,  
178  
품질 보증, 178  
소프트웨어  
충돌, 223  
시스템 보드, 203, 206, 212  
시스템 복원, 223  
안전 지침, 178

## ㅇ

오류 메시지

- 경고음 코드, 222
- 시스템 표시등, 218
- 진단 표시등, 219

운영 체제

- 재설치, 178

운영 체제 CD, 178

운영체제

- Windows XP 재설치, 224

인체공학적 정보, 178

## ㄷ

재설치

- Windows XP, 224

전원

- 표시등, 185, 189

전원 표시등

- 문제 진단, 218

제품 정보 안내, 178

지원 웹사이트, 179

진단

- 경고음 코드, 222

진단 프로그램

- Dell 진단 프로그램, 216

## ㄹ

최종 사용자 사용권 계약서,  
178

충돌

- 소프트웨어 및 하드웨어 비호  
환성, 223

## 표

표시등

- 시스템, 218
- 전원, 185, 189
- 진단, 219

품질 보증 정보, 178

## ㅎ

하드웨어

- Dell 진단 프로그램, 216
- 경고음 코드, 222
- 충돌, 223

하드웨어 문제 해결사, 223